



SENSING THE DIFFERENCE

We hope that you will have many years of use from your new machine.

The machine has many features. To make the most of its functions, we recommend that you read the operating instructions before using the machine. The operating instructions include information on how you can help protect the environment.



Operating Instructions

Tumble dryer
ALA 001 - ALA 003

WARNING: Read the instructions before using the machine.

CONTENTS

BEFORE USING YOUR MACHINE FOR THE FIRST TIME	3	TROUBLESHOOTING	12
Language selection	3	The machine will not start	12
Laundry labels	3	The machine loses all power during a program	12
SAFETY INSTRUCTIONS	4	Drying takes too long	12
General	4	Error messages	12
Safety	4	TECHNICAL INFORMATION	13
Installation	4	Technical data	13
Packing material	4	SERVICE	14
Recycling	4	Before contacting the service division	14
Child safety	5	INSTALLATION	15
Child-safe start	5	A. Freestanding	15
DESCRIPTION OF THE TUMBLE DRYER	6	B. Stacking	15
ADVICE AND TIPS BEFORE YOU TUMBLE-DRY	7	How to assemble the stack	15
Have the clothes been spun?	7	Adjusting the feet	16
Materials that can be tumble-dried	7	Air evacuation	17
Materials that must not be tumble-dried	7	Connection to the tumble dryer	17
Static electricity	7	Connection to the evacuation duct	17
TUMBLE DRYING	8	Installation in a hot environment	17
Sort your fabrics	8	Accessories	18
Select the programme	8	Electrical installation	19
Press the start button.	9	Connection on delivery	19
Drying programme finished	9	Switch-over	19
SETTINGS	10	DOOR HANGING	20
You can carry out the following settings	10	QUICK GUIDE	24
How to choose the settings:	10		
Audible volume	10		
Language	10		
Child-safe	10		
Heater 2	10		
CARE AND CLEANING	11		
Cleaning the lint filter	11		
Cleaning the outside of the machine	11		

BEFORE USING YOUR MACHINE FOR THE FIRST TIME

LANGUAGE SELECTION

You will be prompted to select the display language when you have connected your machine and start it for the first time. Do as follows:

1. Turn the programme selector to choose from: US English, English, Svenska, Dansk, Norsk, Suomi, Français, Deutsch, Italiano, Español, Русский, Nederlands.
2. Press Stop to save the setting.

LAUNDRY LABELS

Certain materials are not suitable for tumblendrying. Always check and follow the instructions on each item's laundry label. You can find more information in the Advice and tips before you tumble-dry chapter.

NOTE!

When starting the tumble dryer for the first time or after a long period without use, you may notice a slight thumping noise. This noise is completely normal and will disappear after a few loads.



SAFETY INSTRUCTIONS

GENERAL



Read the operating instructions and keep them in a safe place!

- The machine may be used in public areas.
- Repairs and maintenance relating to safety or performance must be carried out by a qualified professional.
- The machine should only be used for tumble-drying as described in these instructions.
- Repairs and maintenance relating to safety or performance must be carried out by a qualified professional.
- Damaged mains cables must only be replaced by a qualified electrician.
- Sufficient ventilation is required to prevent smoke from open fires or fumes from equipment burning other fuels being sucked into the room when the tumble dryer is running.
- Do not dry dirty laundry in the tumble dryer.
- Items that are stained with e.g. cooking oil, acetone, alcohol, petrol, kerosene, stain remover, turpentine, wax and wax remover should be washed in hot water with extra detergent before they go in the tumbler dryer.
- Items such as foam rubber, latex, plastic, waterproof textiles, rubber-coated items and clothes and foam-rubber filled cushions must not be dried in the tumbler dryer.
- Fabric softener or similar products should be used as per the recommendations of the detergent manufacturer.
- This machine can be used by children aged 8 and upwards, and by people with reduced physical capacity, mental ability, memory loss or lacking experience and knowledge. These individuals must be supervised when using the machine or have instructions on how to use the machine and understand the risks that can occur.
- Children must be watched to ensure they do not play with the machine.
- Children under 3 years should be kept away from the machine unless they are not constantly supervised at all times.
- Remove all objects such as lighters and matches.

SAFETY

- The machine must not be used for drying items that have been dry-cleaned at home or fabrics that may contain residues of flammable liquids.
- The tumble dryer is protected by an overheating cut-out. This shuts off the machine if the temperature gets too high.
- The last part of the dryer cycle occurs without heat (cool down cycle) to ensure that the objects are in a temperature that ensures that items are not damaged.

⚠ CAUTION! HOT SURFACE!

When the tumble dryer is operating, the back of the tumble dryer will get very hot. Leave the machine to cool completely before touching the back.

⚠ WARNING!

Never stop the machine before the drying cycle end unless all items are quickly removed from the machine and spread out so that the heat is led away.

INSTALLATION

See the section Installation.

PACKING MATERIAL

Please sort waste materials in accordance with local guidelines.

RECYCLING

This machine is manufactured and labelled for recycling. In order to prevent personal injury, the machine must be made inoperable after deciding to take it out of service. Contact your local authority for information about where and how your machine should be correctly recycled.



SAFETY INSTRUCTIONS

CHILD SAFETY

WARNING!

DO NOT ALLOW CHILDREN TO PLAY WITH THE TUMBLE DRYER.

- If the door is opened when a programme is running the garments may be very hot, with a risk of burn injuries.
- The tumble dryer does not start automatically when the door is closed (if a child pulls the door shut from the inside, for example).

CHILD-SAFE START

By activating the child-safe start function you can prevent children from starting the tumble dryer or changing the current programme.

See the Settings chapter.

ACTIVATING/DEACTIVATING CHILD-SAFE START

Do as follows to open the settings menu:

1. Turn off the machine using the main power switch.
2. Press the Stop button and switch on the machine with the main power switch. Then press the Stop button 5 times within 10 seconds.
3. Select the setting you want to change by turning the programme selector.
4. Press the Stop button once.
5. Change and save the setting as described below.
6. Press the Start button to return to the programme menu.

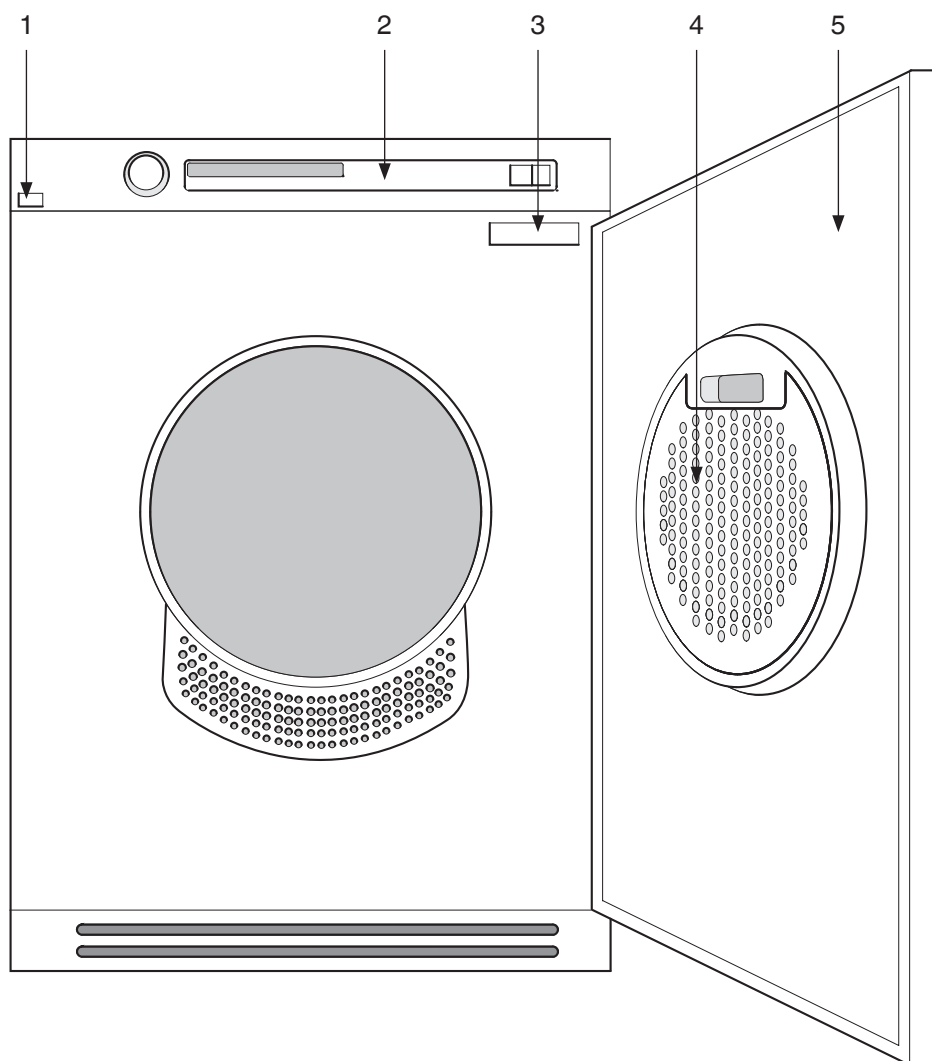
You can activate the Child-safe start option to prevent children from starting the machine.

1. Turn the programme selector and choose Child-safe On or Child-safe Off.
2. Press the Stop button once to save the setting.

You can temporarily deactivate Child-safe start by pressing the Start and Stop buttons at the same time.

Child-safe start will be deactivated for 3 minutes.

DESCRIPTION OF THE TUMBLE DRYER



1. Main power switch

2. Panel

3. Type plate

4. Lint filter

5. Outer door


ADVICE AND TIPS BEFORE YOU TUMBLE-DRY

Here are some tips that may help you before you begin tumble-drying.

HAVE THE CLOTHES BEEN SPUN?

Items to be tumble-dried should be spun at 1000 rpm or faster. Higher spin speeds save energy and reduce drying time.


MATERIALS THAT CAN BE TUMBLE-DRIED

 This symbol means that the material is suitable for tumble-drying. Fabrics best suited to tumble-drying are cotton fabrics, terry cloth and synthetic fibres. Garments will be softer and lighter when tumbled than when hung out to dry.

NOTE!

The tumble dryer does not cause any significant wear on fabrics. The lint that collects in the lint filter consists of dust and fibre residues formed when the items are used.

MATERIALS THAT MUST NOT BE TUMBLE-DRIED

 This symbol means that the material is not suitable for tumble-drying. Certain materials may melt or become a fire hazard if exposed to heat, and others can lose their shape or shrink.

And do not tumble-dry:

- materials labelled "Do not dry near heat".
- garments that have been dry-cleaned at home.
- plastic foam.
- fibreglass material.
- wool must not be tumble-dried because of the risk of felting.

STATIC ELECTRICITY

To reduce the risk of static electricity in the laundry after tumble drying you can:

- Use fabric softener when washing.
- Wait five minutes after the drying program ends before opening the door and removing the laundry from the dryer.

NOTE!

You can stop the tumble dryer by pressing the Stop button for three seconds or by opening the door. In both cases the programme is stopped and starts from the beginning if restarted. If you do not want to restart the programme then immediately remove all laundry and spread it out to allow the heat to dissipate.



TUMBLE DRYING

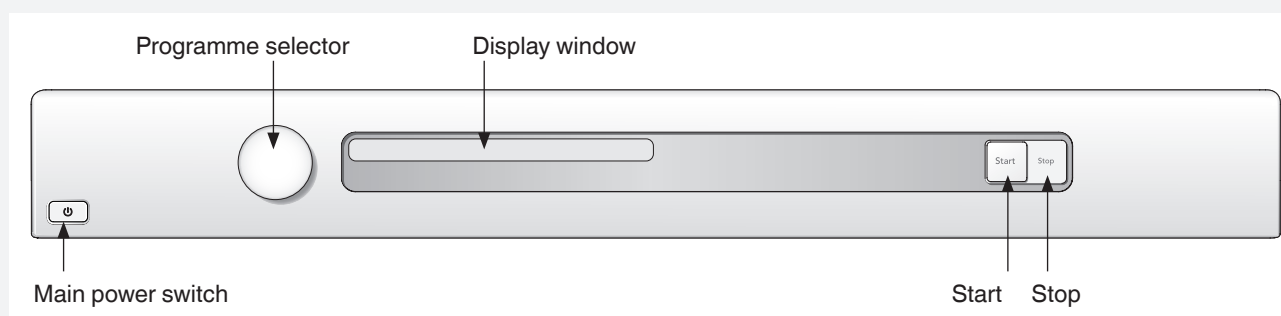
Below are step-by-step instructions to help you achieve the best possible tumble-drying results.

Press the main power switch until the display lights. Open the door, load the items and then close the door.

SORT YOUR FABRICS

You will achieve the most uniform drying results if the items are made of the same type of material. Do up zips and buttons, fasten belts, sort the items and adjust the load and temperature.

SELECT THE PROGRAMME



Select a programme by turning the programme selector. The selected programme is shown in the display window.

Guidelines as to what specific programmes can be used for:

The Auto extra dry, Auto dry and Auto normal dry programmes have two temperature settings. Normal temperature but also low temperature for more delicate items.

Auto extra dry

Temperature normal. This programme is for items that are particularly difficult to dry, such as jeans with very thick seams.

Auto dry

Temperature normal. These programmes shut off the heat once the load is dry but before it is bone dry. The Auto dry programme shuts off the heat slightly later than Auto normal dry. Use trial and error to find out what works best.

Auto normal dry

Temperature normal. These programmes shut off the heat once the load is dry but before it is bone dry. The Auto dry programme shuts off the heat slightly later than Auto normal dry. Use trial and error to find out what works best.

Auto extra dry (low temperature)

Energy Save. This programme is for items that are particularly difficult to dry, such as jeans with very thick seams.

Auto dry (low temperature)

Energy Save. These programmes shut off the heat once the load is dry but before it is bone dry. The Auto dry programme shuts off the heat slightly later than Auto normal dry. Use trial and error to find out what works best.

Auto normal dry (low temperature)

Energy Save. These programmes shut off the heat once the load is dry but before it is bone dry. The Auto dry programme shuts off the heat slightly later than Auto normal dry. Use trial and error to find out what works best.

Auto iron dry (low temperature)

This programme shuts off the heat once the load is just damp enough for ironing or pressing.



TUMBLE DRYING

PRESS THE START BUTTON.

Remaining drying time

An estimate of the remaining drying time will be shown on the display a few minutes after the drying programme starts. For example, 1:35 means that it will take approximately 1 hour and 35 minutes for the load to dry. If the option Anti crease has been selected, the drum will rotate for three seconds per minute for two hours after the programme is finished. The actual remaining time may be longer than the estimated time shown on the display. The remaining time is then shown as 0:15 until the load is sufficiently dry. If you selected Time Saver the display will show 0:05 instead. You can stop the tumble dryer by pressing the Stop button for three seconds or by opening the door. In both cases the programme is stopped and starts from the beginning if restarted.

NOTE!

The programme will not be affected if you change the programme selector after the programme has started.

DRYING PROGRAMME FINISHED

The text Done appears on the display when the programme is finished. If the Anti crease option has been selected, the drum will rotate for three seconds per minute for two hours after the programme is finished..

Backlighting

Two minutes after the drying programme finishes the backlighting on the display and options buttons enters energy saving mode. Turn the programme selector if you want to activate the machine.

NOTE!

Clean the lint filter in the outer door after each load. See the Care and cleaning chapter.

⚠ WARNING!

If the lint filter becomes clogged, the machine's automatic overheating cut-out may be triggered. Clean the filter, wait until the machine has cooled then try starting it. If it still does not start: Call the service division.

Once drying has finished

Turn off the main power switch. Remove the clothes and close the door to prevent small children from climbing into the machine.

SETTINGS

YOU CAN CARRY OUT THE FOLLOWING SETTINGS

- Language
- Child-safe
- Audible Volume
- Heater 2

HOW TO CHOOSE THE SETTINGS:

Do as follows to open the settings menu:

1. Turn off the machine using the main power switch.
2. Press the Stop button and switch on the machine with the main power switch. Then press the Stop button 5 times within 10 seconds.
3. Select the setting you want to change by turning the programme selector.
4. Press the Stop button once.
5. Change and save the setting as described below.
6. Press the Start button to return to the programme menu.

AUDIBLE VOLUME

1. Turn the programme selector and choose Buzzer On or Buzzer Off to set whether the tumble dryer should audibly indicate that the programme is finished or that an error has occurred.
2. Press the Stop button once to save the setting.

LANGUAGE

You will be prompted to select the display language when you have connected your machine and start it for the first time.

Do as follows:

1. Turn the programme selector and choose from: US English, EU English, Svenska, Dansk, Norsk, Suomi, Français, Deutsch, Italiano, Español, Русский, Nederlands.
2. Press the Stop button once to save the setting.

CHILD-SAFE

You can activate the Child-safe start option to prevent children from starting the machine.

1. Turn the programme selector and choose "Child-safe start on" or "Child-safe start off".
2. Press the Stop button once to save the setting.

You can temporarily deactivate Child-safe start by pressing the Start and Stop buttons at the same time. Child-safe start will be deactivated for 3 minutes.

HEATER 2

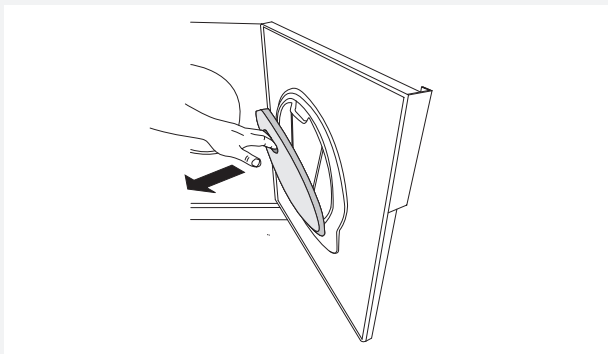
1. Turn the programme selector and choose "Heater 2 On" (3000W/16A) or "Heater 2 Off" (1950W/10A) to increase or decrease the heat output.
2. Press the Stop button once to save the setting.

CARE AND CLEANING

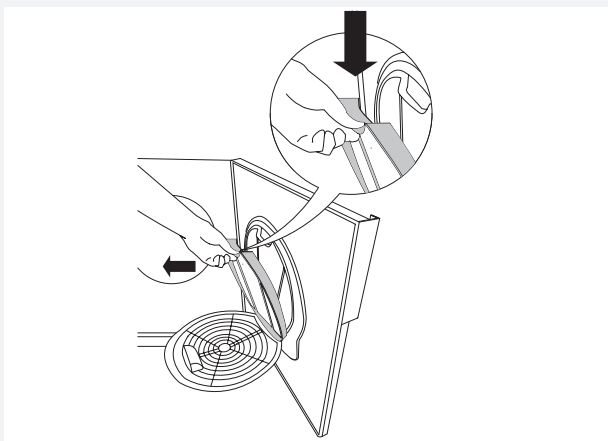
CLEANING THE LINT FILTER

The lint filter must be cleaned after each load.

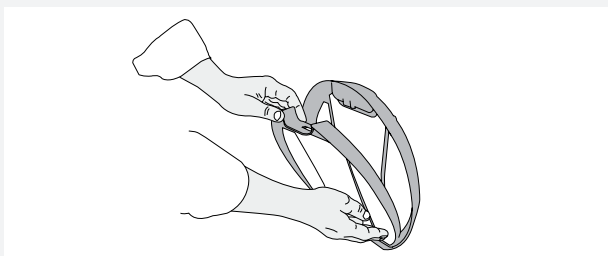
1. Grasp the filter holder handle and pull it towards you to open the lint filter.



2. Open the lint filter. Use your thumb to press on the edge as illustrated and pull it out.



3. Use your hand or a soft cloth to remove the lint from all sides of the filter. If necessary, use a damp sponge and a small amount of washing-up liquid to remove any deposits. Dry the filter thoroughly with a towel.



4. Close the lint filter before closing the door.

CLEANING THE OUTSIDE OF THE MACHINE

Clean the outside of the machine and the programme panel with a mild cleaner. Do not use solvents, as these can damage the machine. Do not hose down or spray the machine with water.

NOTE!

Do not allow dust to accumulate around the machine. Keep the area around the tumble dryer clean and cool; dust, heat and moisture prolong drying times.



TROUBLESHOOTING

NOTE!

When starting the tumble dryer for the first time or after a long period without use, you may notice a slight thumping noise. This noise is completely normal and will disappear after a few loads.

THE MACHINE WILL NOT START

Check

- that the door is properly closed.
- that the main power switch is on.
- that the Delayed Start option has not been selected. To cancel Delayed Start, press the Stop button for 3 seconds.
- that the plug is connected.
- that the main fuses have not blown.
- that the overheating cut-out has not been triggered.

⚠ WARNING!

If the lint filter not is cleaned regularly, the machine's automatic overheating cut-out may be triggered because of to high temperature. The heaters in the machine will then switch off and the drum will continue to spin to cool down the machine.

Call the service division if:

- Heating fault appears on the display.
- Max program time is shown frequently in the display and the laundry does not get dry.

THE MACHINE LOSES ALL POWER DURING A PROGRAM

The overheating cut-out shuts off the tumble dryer if the temperature is too high, e.g. because dust is clogging the lint filter.

- Clean the lint filter
- Wait until the machine has cooled then try starting it. If it still does not start: Call the service division.

DRYING TAKES TOO LONG

- Check that the lint filter is not blocked. See the Care and cleaning chapter.

ERROR MESSAGES

- Read Drying takes too long in this chapter if Max program time appears on the display.
- If Clean Lint Filter appears on the display, clean the lint filter.
- Call the service division if Thermistor fault appears on the display.
- Press the Stop button to close any error messages.



TECHNICAL INFORMATION

TECHNICAL DATA

Height:	850 mm
Width:	595 mm
Depth:	745 mm
Weight (net):	40 kg
Cylinder volume:	145 l
Max. drying capacity:	8 kg
Speed:	50-55 rpm
Sound pressure level:	The sound pressure level is below 70 dB(A)
Rated power:	See type plate.
Drum material:	Stainless steel
Outer casing material:	Powder-coated and hot-galvanized sheet steel or stainless steel
Setup:	Stacking or freestanding

Test method for noise measurement: IEC 60 704-2-6.

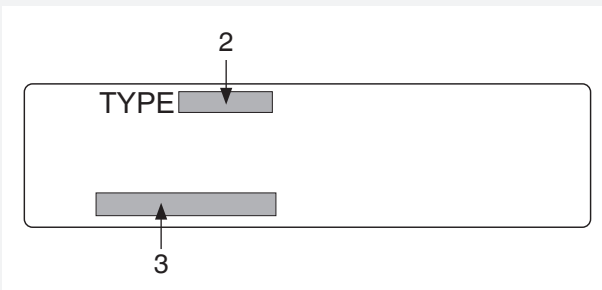
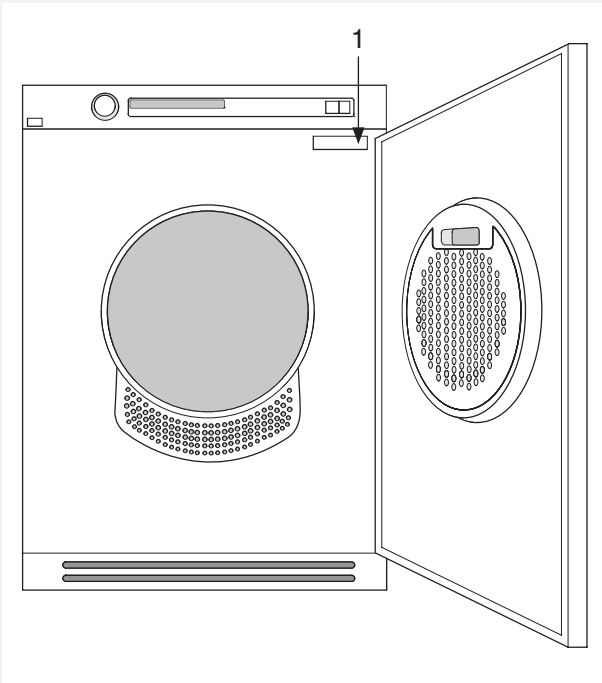
SERVICE

BEFORE CONTACTING THE SERVICE DIVISION

See the Troubleshooting and Care and cleaning chapters to see whether you can rectify the problem. If you need to contact the service division, make sure that you know the model designation, type designation and serial number. The model designation (1) can be found on the first page of the operating instructions and on the machine panel. The type designation (2) and serial number (3) can be found on the type plate, which is found on the front of the tumble dryer inside the outer door.

NOTE!

For repairs and maintenance, original spare parts must be used.



NOTE!

Repair or any warranty claim resulting from incorrect connection or use of the dryer shall not be covered by the warranty. In such cases, the costs of repair shall be charged to the user.

INSTALLATION

The tumble dryer can be free-standing or in a stack. Remember that the tumble dryer produces heat and should therefore not be located in a room that is too small. If the room is very small, drying will take longer due to the limited quantity of air.

CAUTION!

- Any electrical installation must be carried out by qualified professionals.
- The machine must not be installed behind a lockable door, a sliding door or a door with hinges on the opposite side to those of the tumble dryer.
- The tumble dryer's plinth ventilation must not be blocked by a rug or the like.

TIP!

To improve ventilation, leave the door to the room where the tumble dryer is located open.

A. FREESTANDING

The tumble dryer can be positioned beside the washing machine. An air gap of at least 5 mm must be left between the washing machine and the tumble dryer.

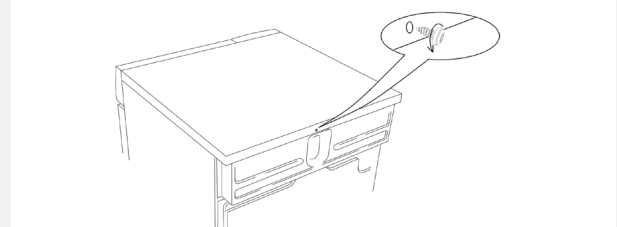
If the customer has a problem with the machine sliding when on a low-friction floor, the plastic cups can be used under the feet of the tumble dryer (between foot and floor).

B. STACKING

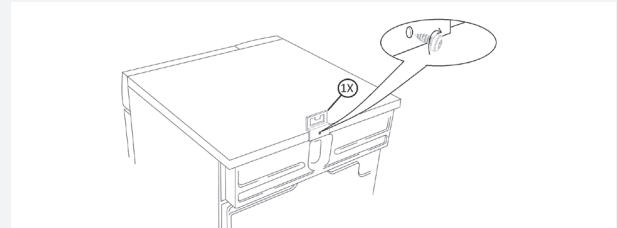
The tumble dryer can be placed on top of a IMESA washing machine. In this case you use the stacking attachments (foot cups and anti-tilt devices) that come with the machine. Two rubber feet and two anti-tipping brackets are supplied in the bag found in the drum of the dryer.

HOW TO ASSEMBLE THE STACK

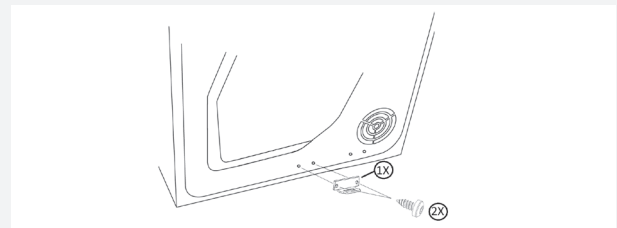
1. Undo the screw on the back of the IMESA washing machine as shown in the figure.



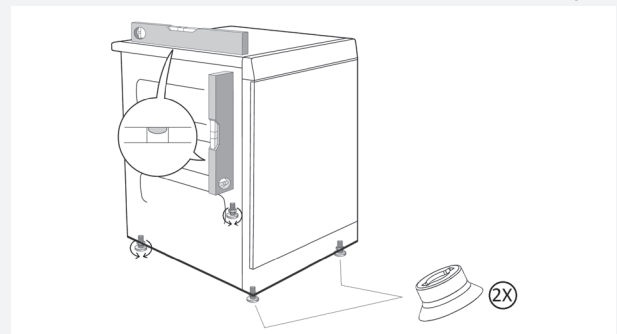
2. Secure the anti-tilt device using the screws as shown in the picture.



3. Take the other anti-tipping bracket from the bag and attach it on the dryer with two screws as shown in the figure.

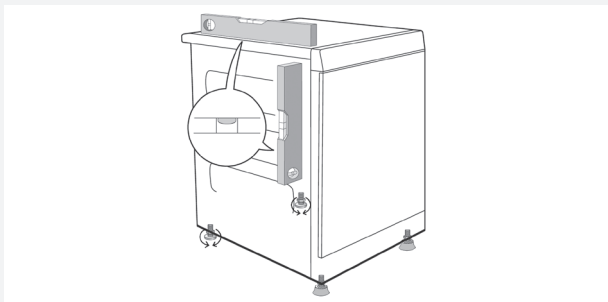


4. Place the two rubber feet on the front feet of the dryer.

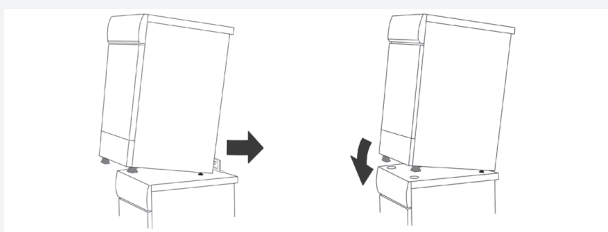


5. Fasten or undo the rear feet of the appliance until it is fully level, either on the floor or on the washing machine.

INSTALLATION

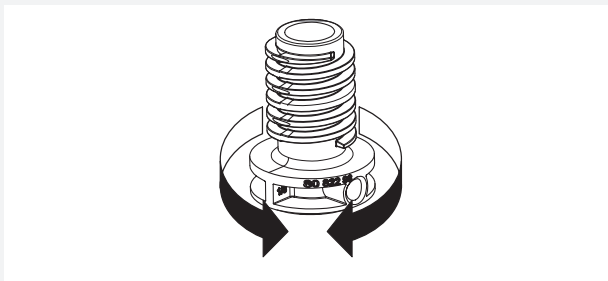
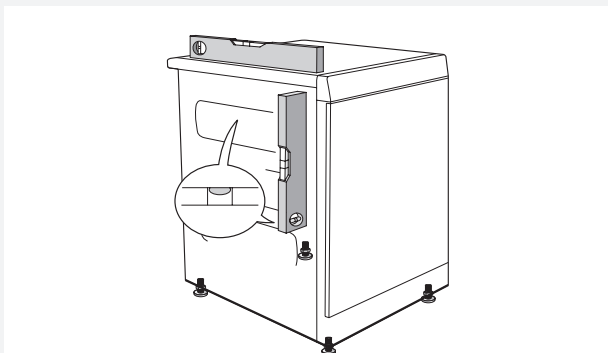


6. Slide the dryer backward until it reaches the anti-tipping bracket. Make sure the front of the appliance is raised by 50 to 150 mm as you slide it back.



ADJUSTING THE FEET

Screw the feet in or out so that the tumble dryer is steady and balanced on the floor or on the washing machine.



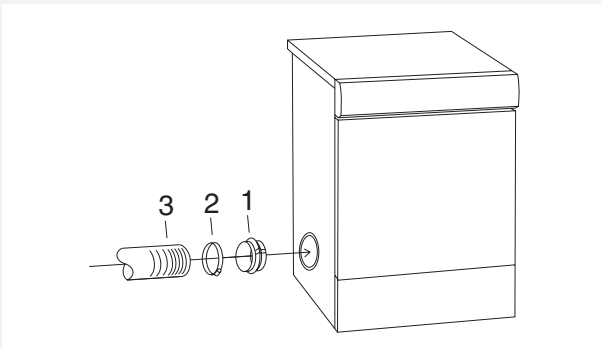
INSTALLATION

AIR EVACUATION

Waste air from the tumble dryer must be taken to an evacuation duct or to an outlet in the wall using the vent hose supplied.

CONNECTION TO THE TUMBLE DRYER

The tumble dryer has three options for venting air: at the back, on the right side and on the left side. One hole is open when the tumble dryer is supplied. The other two have covers. The tumble dryer comes with a connector (1), a plastic band (2) and a vent hose (3).

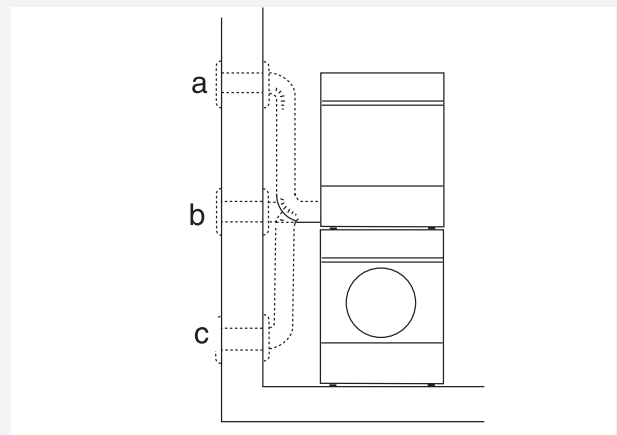


Fit the air evacuation system as follows:

1. Slip the vent hose onto the connector and secure it using the plastic band.
2. Remove the plastic cover if you want to fit the vent hose to one of the holes other than the one already open.
3. Insert the connector with the vent hose into the opening.
4. Place the cover over the open hole.

CONNECTION TO THE EVACUATION DUCT

The vent hose must take the shortest and straightest route possible from the tumble dryer to the evacuation duct. Trim or cut the vent hose if it is too long. If necessary, the vent hose can be extended to a maximum of 8 metres (inner diameter 102 mm). If a longer hose is needed, a larger inner diameter is required in order to maintain the tumble dryer's fan capacity. Any bends must be as gradual as possible. If 90° bends are necessary, there must be no more than four. More bends will reduce the tumble dryer's fan capacity.

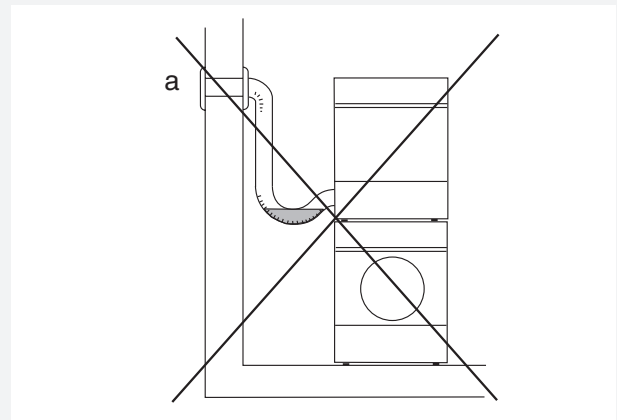


CAUTION!

Air from the tumble dryer must not be fed through ducts used for equipment that burns gas or other fuels.

INSTALLATION IN A HOT ENVIRONMENT

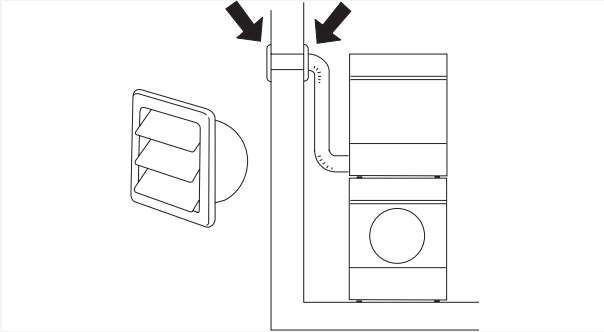
If you install the tumble dryer in a small room with a high atmospheric humidity, where the temperature may exceed 25°C, there is a risk of condensation accumulating in a kink and obstructing the air flow, resulting in poor drying results. To avoid this happening, the hose must not be fitted so that it goes up (a), but instead so that it is horizontal (b) or goes down (c) from the drier.



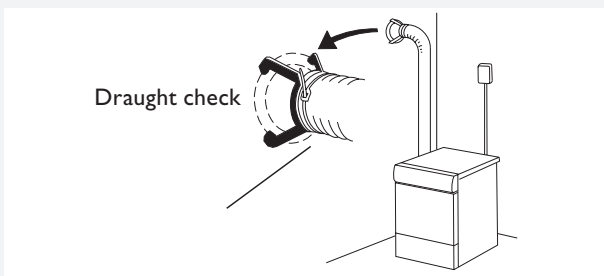
INSTALLATION

ACCESSORIES

If the vent hose runs to an outlet in the wall, you can prevent the inflow of cold air by fitting a ventilation grill. This grill can be installed either outside or inside.



If there is only one evacuation duct from the room, a “draught check” must be fitted.



These accessories can be purchased from your retailer.



INSTALLATION

ELECTRICAL INSTALLATION

Connect the machine by plugging it into an earthed wall socket. The electrical wall socket must be placed outside of the installation area to be easily accessible.

CONNECTION ON DELIVERY

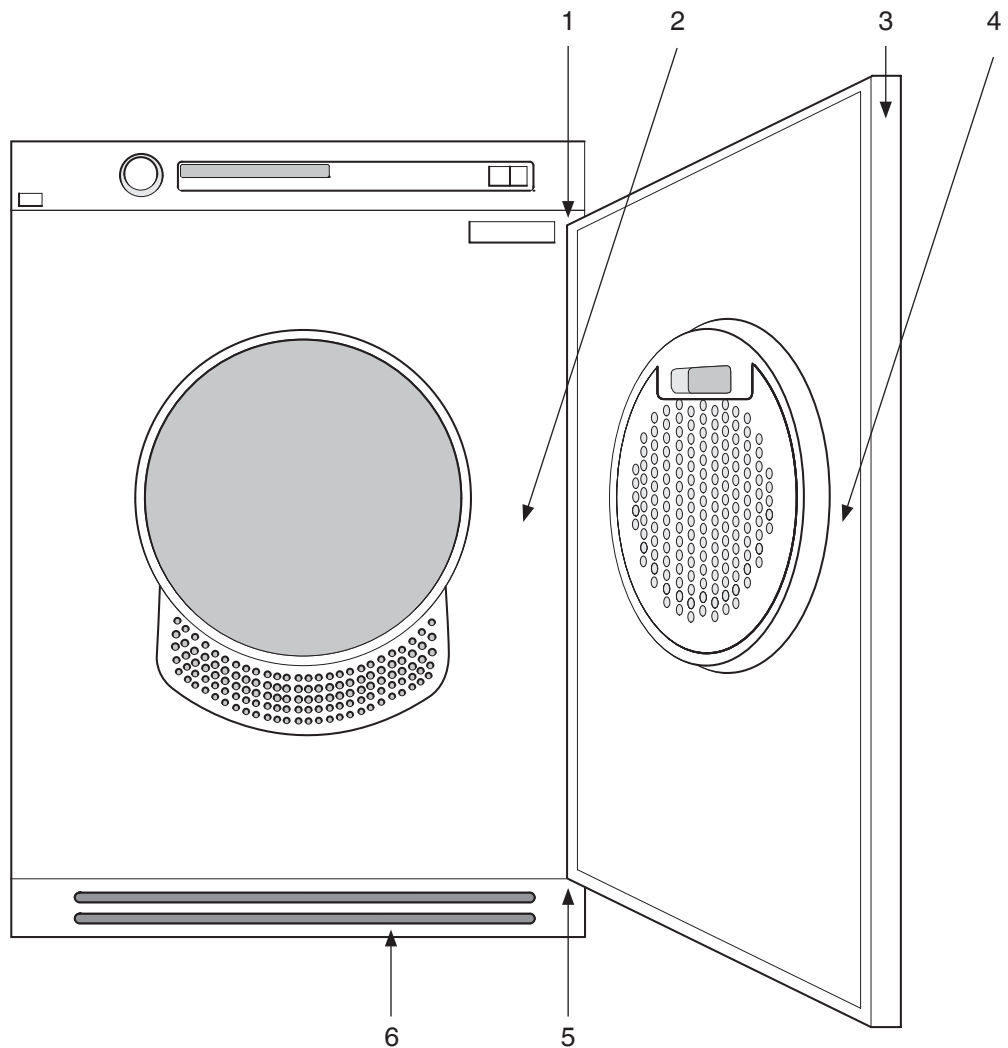
- 230 V, 1-phase, 16 A
- 50 Hz
- Heat output 3000W
- Use a type A residual-current device.

SWITCH-OVER

The switchover must be performed by a qualified electrician.

See the Settings chapter.

DOOR HANGING



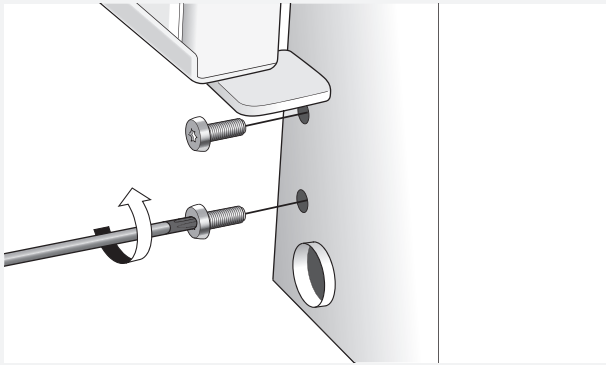
- | | |
|---|-------------------------------|
| 1. Hinge pins (top and bottom) | 4. Locking hook |
| 2. Cover plate | 5. Hinges (left + right side) |
| 3. Plastic plugs (on the upper and lower edges) | 6. Plinth |

DOOR HANGING

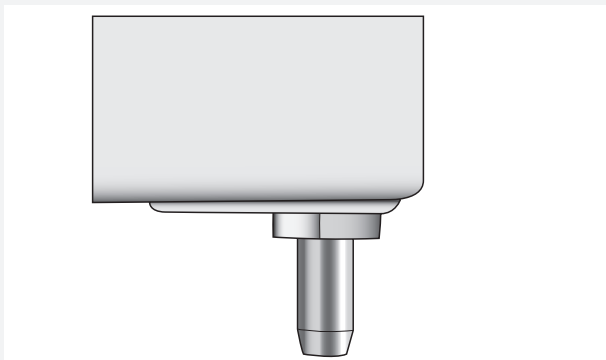
You can choose whether the door is hung on the right or the left.

Follow these instructions:

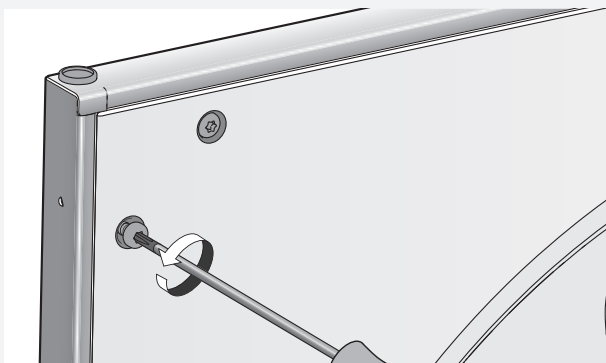
1. Remove the plinth.
2. Remove the hinge, two screws.



3. Lift the door up and remove it. Support the door at the same time.
4. Remove both door pins (top and bottom). Fit them on the other side of the machine. Refit the hinge.

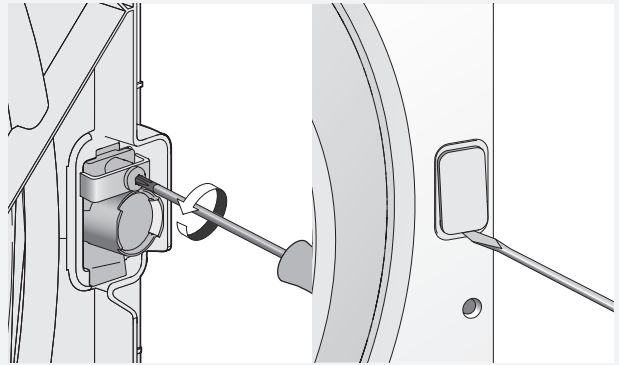


5. Loosen the screws (13 in total) on the inside of the door.



6. Loosen the inner part of the door (pull down and lift out).

7. Switch the catch (magnetic lock) and the cover plate. First loosen the screw holding the catch (magnetic lock) in place. Then use a flat-bladed screwdriver to remove the cover plate. Refit the catch (magnetic lock) and the cover plate on the other side.



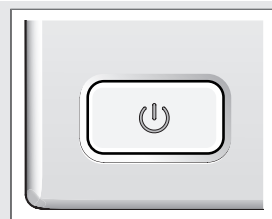
8. Reattach the inner part of the door with the screws (13 in total).
 9. Move the plastic plugs on the upper and lower edges of the door. Use a flat-bladed screwdriver to remove the plugs.
 10. Loosen the two screws holding the handle in place on the door. Push out the two plastic plugs inside the screw holes on the other side of the door. Use the two screws to attach the handle to the other side of the door and press the plastic plugs into the holes where the handle was previously fitted.
 11. Refit the door by loosening the hinge screws slightly, affixing the door and closing it. Retighten the hinges.
- Replace the plinth.



NOTES

A large area of the page is filled with horizontal dotted lines, providing space for writing notes. The lines are evenly spaced and extend across most of the page width.

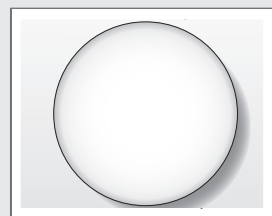
QUICK GUIDE



1.

TURN ON THE MAIN POWER SWITCH

Load the garments. Close the door.



2.

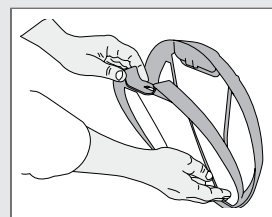
SELECT A PROGRAM AND ANY OPTIONS

Turn the program selector to the desired program.



3.

PRESS THE START BUTTON



4.

DRYING PROGRAM FINISHED

End appears on the display when the program is finished.

Clean the lint filter after each load.

Turn off the main power switch and close the door.

We reserve the right to make changes.