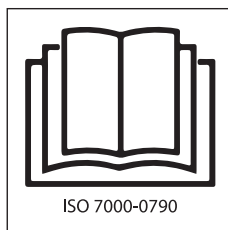


EN	CONVECTION OVENS INSTRUCTIONS FOR THE INSTALLATION, USE AND MAINTENANCE
IT	FORNI A CONVEZIONE ISTRUZIONI PER L'INSTALLAZIONE, L'USO E LA MANUTENZIONE
DE	HEISSLUFTÖFEN ANLEITUNGEN FÜR DEN INSTALLATEUR, BEDIENUNGS-UND WARTUNG
FR	FOURS À AIR PULSE' INSTRUCTIONS POUR L'INSTALLATION, L'EMPLOI ET LA MAINTENANCE
ES	HORNOS A CONVECCIÓN INSTRUCCIONES PARA LA INSTALACIÓN, USO Y MANTENIMIENTO
NL	CONVECTIEOVENS INSTRUCTIES VOOR DE INSTALLATIE, GEBRUIK EN ONDERHOUD

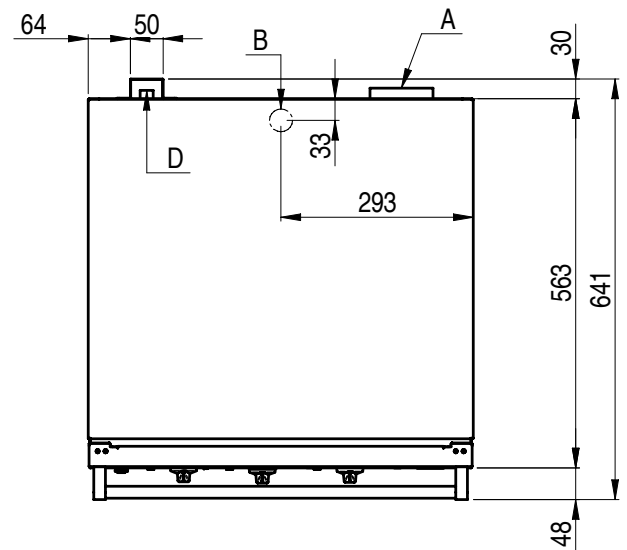
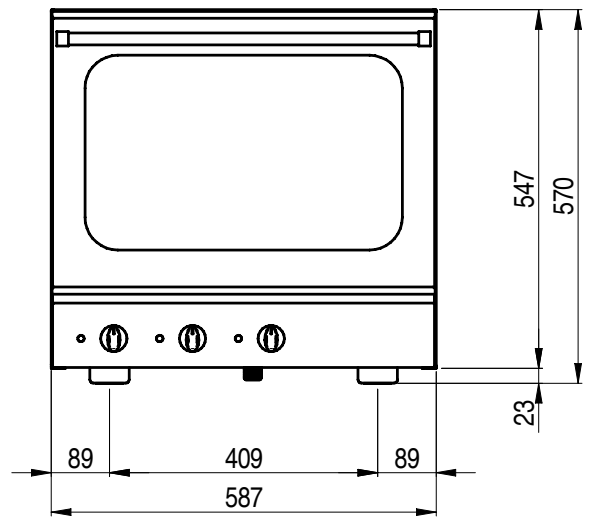
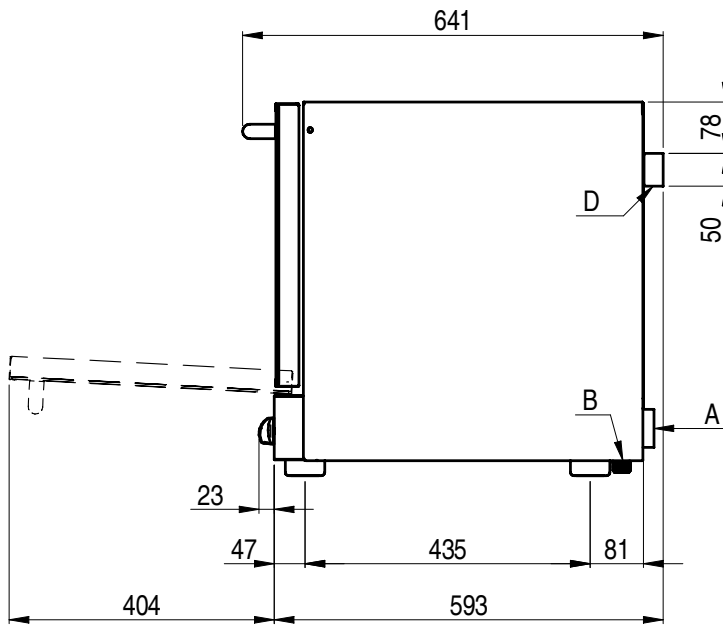


Whirlpool

Mod. AFO EM4

	EN INDEX	IT INDICE	DE INHALT
	Dimensions	Dimensioni	Abmessungen
	Foreword	Premessa	Vorwort
1.0	Declaration of Conformity	Dichiarazione di conformità	Konformitätserklärung
1.1	European Directive ROHS 2012/19/UE	Direttiva Europea ROHS 2012/19/UE	Europäische Richtlinie ROHS 2012/19/UE
1.3	Transport of the oven and packaging removal	Trasporto del forno e rimozione degli imballi	Transport des Ofens und Entfernung der Verpackung
1.4	Informative labels	Targhette informative	Informationsetiketten
	INSTALLATION	INSTALLAZIONE	INSTALLATION
1.5	Oven positioning	Posizionamento del forno	Positionierung des Ofens
1.6	Electrical connection	Collegamento elettrico	Elektroanschluss
1.7	Technical data for electrical connection	Tabella dati tecnici allacciamento elettrico	Tabelle technische Daten Elektroanschluss
3.1	Spare parts replacing	Sostituzione parti di ricambio	Austausch der ersatzteile
3.2	Checking the functions	Controllo delle funzioni	Kontrolle der funktionen
	USE AND MAINTENANCE	USO E MANUTENZIONE	BEDIENUNGS-UND WARTUNGSANLEITUNG
4.0	Description of the control panel components	Descrizione componenti pannello comandi	Programmierung und Betrieb
4.5	Starting the oven	Avviamento del forno	Steuerung und Kontrollvorrichtungen
4.6	Turning the oven off	Spegnimento del forno	Ausschalten des Gerätes
9.0	Maintenance	Manutenzione	Wartung
9.1	What to do in the case of a breakdown or non use	Comportamento in caso di guasto e/o prolungato inutilizzo	Anweisungen bei Störungen und/oder längerem Gerätstillstand
10.1	Remedies to cooking hitches	Rimedi alle anomalie di cottura	Abhilfe bei anormalem Garen

	FR INDEX	ES INDICE	NL INHOUDSOPGAVE
	Dimensions	Dimensiones	Afmetingen
	Avant-propos	Premisa	Introductie
1.0	Déclaration de conformité	Declaración de conformidad	Verklaring van conformiteit
1.1	Directive européenne ROHS 2012/19/UE	Direttiva Europea ROHS 2012/19/UE	Europese Richtlijn ROHS 2012/19/UE
1.3	Transport du four et élimination de l'emballage	Transporte del horno y remoción de los embalajes	Transport van de oven en verwijderen van de verpakking
1.4	Etiquettes informatives	Tarjetas informativas	Informatieve etiketten
	INSTALLATION	INSTALACIÓN	INSTALLATIE
1.5	Positionnement du four	Posicionamiento del horno	Het plaatsen van de oven
1.6	Raccordement électrique	Conexión eléctrica	Elektrische aansluiting
1.7	Tableau des données techniques raccordement électrique	Tabla datos técnicos de conexión eléctrica	Tabel technische gegevens - elektrische aansluiting
3.1	Remplacement des pièces	Piezas de recambio	Vervanging reserveonderdelen
3.2	Contrôle des fonctions	Control de las funciones	Controle van de functies
	EMPLOI ET MAINTENANCE	USO Y MANTENIMIENTO	GEBRUIK EN ONDERHOUD
4.0	Description des éléments du panneau	Descripción componentes panel de mandos	Beschrijving van componenten bedieningspaneel
4.5	Commandes et contrôles auxiliaires	Encendido del horno	Starten de oven
4.6	Arrêt du four	Apagado del horno	Het uitschakelen van de oven
9.0	Maintenance	Mantenimiento	Onderhoud
9.1	Que faire en cas de panne ou d'arrêt prolongé de l'appareil	Comportamiento en caso de avería o de larga inactividad	Handelen in geval van storingen
10.1	Que faire pour résoudre les problèmes de cuisson	Remedios para las anomalías de cocción	Oplossingen voor problemen bij het koken



4 x 2/3 GN - 4 x 460x340

Dimensioni	Capacità	Distanza teglie	Peso a vuoto
Dimensions	Capacity	Trays distance	Empty weight
Abmessungen	Kapazität	Einschubabstand	Leergewicht
Dimensions	Capacité	Ecartement grilles	Poids à vide
Dimensiones	Capacidad	Distancia bandejas	Peso en vacío
Afmetingen	Capaciteit	Afstand dienbladen	Leeggewicht
mm 587 x 641 x h 570	4 x 2/3 GN 4 x 460x340	70 mm	40 kg

FOREWORD

The contents of this manual are generic and not all the functions described may be available on your product.

The manufacturer declines all responsibility for possible inaccuracies contained in this pamphlet, due to printing or copy errors. We reserve the right to make on our own products those changes to be considered necessary or useful, without jeopardizing the essential characteristics.

Read the instructions for use very carefully paying particular attention to the rules concerning safety devices. This appliance must only be used for what it has been designed for and built for and that is: all baking of dishes and regenerating pre-cooked and/or frozen food.

WARNING!

Before making any type of electrical connection of this equipment, carefully read the instructions in this manual. This manual must be carefully kept to be available for future reference by users or service technicians. Installation must be carried out by a qualified personnel only.

1.0 DECLARATION OF CONFORMITY

The Manufacturer declares that the appliances conform to the EEC norms.

They must be installed in accordance with current standards, especially regarding aeration of the premises and the exhaust gas evacuation system.

Note: The Manufacturer declines all and every responsibility for any direct damages caused by: an incorrect use, wrong installation or bad maintenance.

1.1 EUROPEAN DIRECTIVE ROHS 2012/19/UE

This appliance is marked according to the European directive 2012/19/UE on Waste Electrical and Electronic Equipment (WEEE). By ensuring this product is disposed correctly, you will help prevent potential negative consequences for the environment and human health, which could otherwise be caused by inappropriate waste handling of this product.



The symbol on the product, or on the documents accompanying the product, indicates that this appliance may not be treated as household waste.

Instead it shall be handed over to the applicable collection point for the recycling of electrical and electronic equipment.

Disposal must be carried out in accordance with local environmental regulations for waste disposal.

1.3 TRANSPORT OF THE OVEN AND PACKAGING REMOVAL

Upon receipt of the oven and before installing it, check the packaging is intact and there are not visible damages. Also check that along with the oven you receive also the documentation, consisting of:

- Instructions for installation, use and maintenance
- Chart to check correct installation
- Wiring diagram
- Label ISO 3864-1

Before bringing the oven to the point, where it must be installed, check the following:

The doors are large enough to allow passage of the oven

The floor supports the weight.

According to the model of oven, its dimensions and its weight, use suitable facilities to handle goods during transport and installation, able to guarantee stability in order to avoid overturning, falls or uncontrolled movements of the appliance or its components.

Keep the oven packed until you reach the site where the oven is going to be installed.

The packaging makes the handling of goods easier and protects the oven from accidental push.

During moving and installation of the oven, the installer must comply with accident-prevention regulations in force at the place of installation (use of safety shoes, gloves, etc.) Remove the packaging taking care not to damage the oven. The adhesive film, that protects the surfaces made of stainless steel can be removed also after you have positioned the oven on the corresponding stand or the support surface.



ATTENTION: Packaging materials and adhesive film are potentially dangerous.

For this reason, they must be kept out of the reach of children and properly disposed of in compliance with local directives.

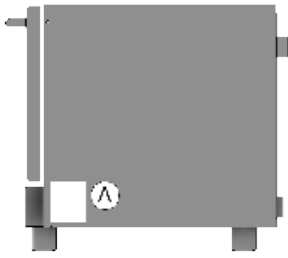
You should separate packaging materials (wood, cardboard, plastic...) and dispose of them separately, in compliance with directives in force at installation site.

Note: Take the protective film off the stainless steel parts by hand before starting the appliance.

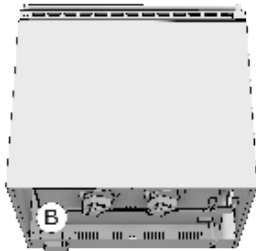
Do not use abrasive substances and/or metal objects. Clear any adhesive residues using a sponge soaked in solvent. If the oven is heated up before removing the adhesive film, the removal of the film and cleaning of residues of glue will be much more difficult.

1.4 INFORMATIVE LABELS

On each oven there are applied some metal labels, that give important info concerning characteristics of the oven and electric connection.



- On the right hand side panel there is the label A.
The info contained on this label are:
- Name and address of the manufacturer
 - Oven model
 - IPX protection grade against water jet.
 - Conformity to EC directives.
 - Power input and power supply (single or three phase).
 - Serial number of the oven
 - Symbol of European Directive 2012/19/UE



Removing the back side panel, on the oven chassis you find label B.

On this label the serial number of the oven is repeated.

In this way, the customer or the installer can find the serial number of the oven also when the label A is dirty or damaged.

INSTALLATION

1.5 POSITIONING OF THE OVEN

The place where the oven will be installed must comply the following requirements:

- Be protected from atmospheric agents and have an adequate air circulation;
- Comply with regulations concerning safety at work;
- Have a room temperature between 5 °C and 35 °C with a humidification not higher than 70%.
- Place the oven and proceed with levelling using adjustable feet.

Keep a suitable distance at the back, in order the label of equipotential clamp is easy to see when the oven has been installed. The same clamp must be easy to access to install equipotential cable after the oven has been installed in compliance with our instructions.

Install the appliance in a position that allows access to the right side for installation, maintenance and technical assistance.

1.6 ELECTRICAL CONNECTION

When the appliance is delivered it is set to work at the voltage given on the rating plate affixed on the right side of the appliance. The effectiveness of the equipotential system of which the appliance is part of, must conform to current standards.

Connect using the screw you find in the back side of the oven, marked with the word **EQUIPOTENTIAL**.

The Manufacturer declines all and every responsibility if this important accident prevention norm is not complied with. If the feeding cable is damaged, it must be replaced by the technical service or in any case by similar qualified personnel, in order to avoid any risk.

1.7 TECHNICAL DATA FOR ELECTRICAL CONNECTION

Model	Power loading and voltage	no. and motor power	Heating power	Grill power	Absorbed current
AFO EM4	3.6 kW 220-240 V 1N ~ 50/60 Hz	2 x 55 W	2.8 kW	0.7 kW	15.6 A

Ovens are supplied with electric power cable.

3.1 REPLACING SPARE PARTS

The replacement of damaged parts must be done only by qualified personnel.

To request the manufacturer parts to be replaced must be provided the oven model and serial number.

These data can be found on the rating plate attached to the oven (see par. 1.4).

Before starting to replace spare parts make sure, for safety reasons, that the electricity main switch is off and that the water on-off valve are closed.

3.2 CHECKING THE FUNCTIONS

After completing the installation of the oven is necessary to perform a leak test to the water network.

The installer must check with suitable measurement instruments that the air noise emissions have a level of sound pressure type weighed A, less than 70 dB (A).

IMPORTANT:

Before the operator turns the oven on and uses it for any cooking or washing cycle, it is necessary that the installer or a qualified technician checks all the connections have been done up to the instructions stated in our manual. The technician or the installer must therefore check as follows:

- The oven must stand (horizontal position) and be fixed on a stand or a shelf, that can guarantee stability.
- Wiring connection must be effected according to the directives and the feed cable section must be no lower than the one indicated in the manual.

After you have checked everything, open the the protection switch, all installed upstream.

The installer must check the proper functioning of the oven and give to the operator necessary instructions for a correct use of the oven, and also verify that the operator owns a copy of this manual.

USE AND MAINTENANCE

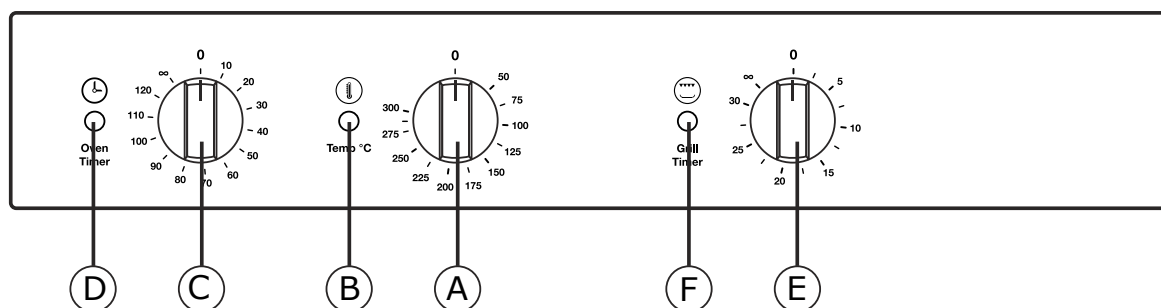
INSTRUCTIONS FOR A SAFE USE OF THE OVEN

- Ensure the oven is on a stable position and safety devices installed upstream are efficient.
- Always use adequate protection gloves to introduce or pull out the trays.
- Always pay maximum attention to the floor, that due to cooking steam could be slippery.
- In order to avoid burns, never use trays or containers with liquids or fluids over a level that can be easily controlled at sight.
- Don't put trays or other kitchen tools on the oven.
- Periodically have a check with technical service and replace eventual damaged parts, that could alter the proper functioning of the oven or be a danger.
- Often clean the oven following the instructions stated in this manual.

MAX. FOOD LOADING

Number of trays	Max. food loading
4 x 460x340 - 2/3 GN	8 kg

4.0 CONTROL PANNEL COMPONENTS DESCRIPTION



- A** Cooking chamber thermostat. Temperature range between 50 - 270 °C
- B** Pilot light cooking chamber heating ON
- C** Timer. Adjustment from 0 to 120 minutes or uninterrupted working.
- D** Pilot light timer ON
- E** Grill timer
- F** Pilot light grill timer ON

4.5 STARTING THE OVEN

Ensure that water supply are turned on and that the electricity supply is switched on.

Select the cooking time with the timer (C) that goes up to a maximum of 120 minutes; for longer cooking times, select the (∞) nonstop position. When the timer is on and the door is closed the cooking cycle starts together with the electric fan, heating and steam generation, if selected.

When the set time is finished a buzzer signals that cooking is finished and all the functions stop.

When selecting the cooking time always remember the time needed to pre-heat the oven.

It's a good practice to observe this caution before introducing the food to be cooked in the oven.

4.6 TURNING THE OVEN OFF

The oven is turned off by turning the cycle selector knob round to position 0.

9.0 MAINTENANCE

All external stainless steel parts should be:

- 1 - cleaned with clear, soapy water;
- 2 - rinsed with water;
- 3- dried thoroughly.

It is absolutely forbidden to use scrapers, metal soap pads and other common steel tools as they could besides scratching the surface, deposit iron particles that, oxidizing would cause rust to form.

DO NOT WASH THE APPLIANCE WITH JETS OF WATER

DO NOT USE PRODUCTS TO WASH THE STAINLESS STEEL PARTS, WHICH CONTAIN CHLOR (BLEACH, CHLORINE ACID) EVEN IF WATERED DOWN.

The oven cooking chamber must be cleaned from residues of food and fat at the end of each cooking process.

The juices and fat that drip from the food and fall to the bottom, are conveyed to the drain in the centre. To clean the oven, use a degreasing product suitable for stainless steel, a spray-on product for instance, that covers all areas, especially the back of the suction conveyor.

The fan must be kept clean to avoid grease and fat from depositing on the blades causing motor revolutions to decrease leading to a reduction in the flow of air and dangerous mechanical stress to the motor itself.

When the appliance is not used for long periods of time :

1. Turn the main switch off
2. Close the water on-off valve (both installed upstream from the oven);
3. Leave the door open so air can circulate and prevent bad odors;
4. With a cloth spread a thin protective layer of Vaseline oil on all stainless steel surfaces;

9.1 WHAT TO DO IN CASE OF A BREAKDOWN AND/OR EXTENDED PERIOD OF NON USE

If the oven does not work properly, breaks down or if the safety thermostat triggers, switch the oven off, disconnect the electricity and water supply and notify the technical assistance service.

All work of installation, maintenance and repairs should be carried out exclusively by qualified and authorized personnel.

10.1 REMEDIES TO COOKING HITCHES

If cooking is uneven:

Check that there is at least 3 cm between the food cooking and the tray above it: if there is less space it will not allow correct ventilation of the food to be cooked. Make sure that the foods to cook are not against each other which would prevent correct ventilation between them.

Cooking temperature might be too high, try with a lower temperature. If the food cannot stand direct contact with the hot air it must be put in suitably deep G.N. containers.

If the food is dry:

Reduce cooking time.

The temperature must be adequately lowered. Remember that the lower the temperature is the less weight will be lost.

The combined cycle for a humidity rich cooking environment was not selected.

The food was not greased with oil or juices before it was put in to cook.

PREMESSA

Il contenuto del presente manuale è riferito a diversi modelli di forni, per questo motivo, non tutte le funzionalità descritte potrebbero essere incluse nel forno da voi acquistato.

Il Costruttore declina ogni responsabilità per le possibili inesattezze contenute nel presente opuscolo, imputabili ad errori di stampa o di trascrizione. Si riserva il diritto di apportare ai propri prodotti quelle modifiche che ritiene necessarie o utili, senza pregiudicare le caratteristiche essenziali.

Leggere attentamente le istruzioni per l'uso, con particolare attenzione alle norme relative ai dispositivi di sicurezza. Questa apparecchiatura dovrà essere destinata solo all'uso per il quale è stata espressamente progettata e costruita e cioè per la cottura di alimenti e per la rigenerazione di cibi precotti e/o refrigerati.

ATTENZIONE! Prima di realizzare qualsiasi tipo di connessione elettrica di questo apparato, leggere con attenzione le istruzioni riportate nel presente manuale. Questo manuale deve essere conservato con cura per essere disponibile per future consultazioni da parte degli utilizzatori o dei tecnici addetti alla manutenzione.

L'installazione deve essere realizzata esclusivamente da personale tecnico specializzato.

1.0 DICHIARAZIONE DI CONFORMITA'

Il Costruttore dichiara che gli apparecchi sono conformi alle prescrizioni CEE.

L'installazione dovrà essere effettuata in osservanza alle norme vigenti, soprattutto in merito all'areazione dei locali e dei sistemi per l'evacuazione dei gas combustibili.

N.B.: Il Costruttore declina ogni responsabilità in caso di danni diretti derivati da: uso non corretto, errata installazione e da cattiva manutenzione.

1.1 DIRETTIVA EUROPEA 2012/19/UE

Questo apparecchio è contrassegnato in conformità alla Direttiva Europea 2012/19/UE, Waste Electrical and Electronic Equipment (WEEE). Assicurandosi che questo prodotto sia smaltito in modo corretto, l'utente contribuisce a prevenire le potenziali conseguenze negative per l'ambiente e la salute.



Il simbolo sul prodotto o sulla documentazione di accompagnamento indica che questo prodotto non deve essere trattato come rifiuto domestico ma deve essere consegnato presso l'idoneo punto di raccolta per il riciclaggio di apparecchiature elettriche ed elettroniche.

Disfarsene seguendo le normative locali per lo smaltimento dei rifiuti.

Per ulteriori informazioni sul trattamento, recupero e riciclaggio di questo prodotto, contattare l'idoneo ufficio locale, il servizio di raccolta dei rifiuti domestici o il negozio presso il quale il prodotto è stato acquistato.

1.3 TRASPORTO DEL FORNO E RIMOZIONE DEGLI IMBALLI

Al ricevimento del forno e prima di procedere all'installazione verificare che l'imballo sia integro e che non siano presenti danni visibili. Verificare che assieme al forno ci sia tutta la relativa documentazione, composta da:

- manuale di installazione, uso e manutenzione
- scheda per la verifica della corretta installazione
- schema elettrico
- etichetta ISO 3864-1

Prima di trasportare il forno fino al punto dove deve essere installato verificare che:

- le porte abbiano un'ampiezza sufficiente a consentire il passaggio del forno;
- la pavimentazione sopporti il peso.

A seconda del modello del forno, delle sue dimensioni e del suo peso, utilizzare per la movimentazione in fase di trasporto e spostamento prima dell'installazione, attrezzature che garantiscano la stabilità al fine di evitare ribaltamenti, cadute o movimenti incontrollati dell'apparecchio o delle sue parti componenti.

Mantenere l'imballo del forno fino al luogo dove il forno verrà installato.

L'imballo facilita la movimentazione e protegge il forno dagli urti accidentali.

Durante lo spostamento e l'installazione del forno, l'installatore è tenuto a rispettare le norme antinfortunistiche vigenti nel luogo di installazione (uso di scarpe antinfortunistiche, guanti, ecc.). Rimuovere l'imballo facendo attenzione a non danneggiare il forno. La pellicola adesiva che protegge le superfici in acciaio inossidabile può essere rimossa anche dopo aver posizionato il forno sopra il corrispondente supporto o sulla superficie di appoggio.



ATTENZIONE. I materiali dell'imballaggio e le pellicole adesive sono potenzialmente pericolosi. Per questo motivo devono essere mantenuti fuori dalla portata dei bambini e correttamente smaltiti, nel rispetto delle norme locali.

È opportuno separare i materiali degli imballaggi (legno, cartone, plastica...) e smaltirli separatamente, nel rispetto delle normative in vigore nel luogo di installazione.

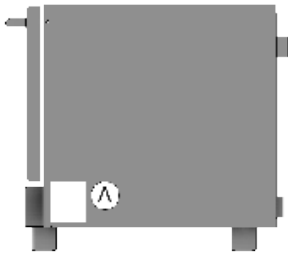
Nota: rimuovere manualmente le pellicole adesive che proteggono le parti in acciaio, prima di mettere in funzione l'apparecchio, evitando l'uso di sostanze abrasive e/o di oggetti metallici.

Pulire gli eventuali residui di colla utilizzando una spugna imbevuta di solvente.

Se il forno viene fatto riscaldare senza aver prima tolto le pellicole adesive, la rimozione delle pellicole e la pulizia dei residui di collante risulteranno molto più difficoltose.

1.4 TARGHETTE INFORMATIVE

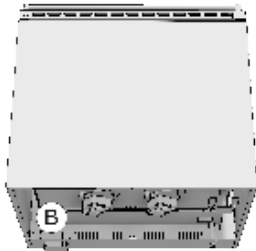
In ogni forno sono applicate alcune targhette metalliche che forniscono importanti informazioni riguardo alle caratteristiche del forno, agli allacciamenti elettrico e idrico ed eventualmente al collegamento dello scarico.



Nel fianco destro è applicata la targhetta A.

Le informazioni contenute in questa targhetta sono:

- nome e indirizzo del costruttore
- modello del forno
- il grado di protezione IPX contro l'ingresso di liquidi
- la conformità alle normative C.E.
- la potenza elettrica assorbita e il tipo di alimentazione elettrica (monofase o trifase)
- il numero di matricola del forno
- il simbolo della direttiva Europea 2012/19/UE



Smontando il pannello posteriore, sulla base del forno è applicata la targhetta B.

In questa targhetta è ripetuto il numero di matricola del forno.

In questo modo, il cliente o l'installatore possono conoscere il numero di matricola del forno anche nel caso in cui la targhetta A sia sporca o danneggiata.

INSTALLAZIONE

1.5 POSIZIONAMENTO DEL FORNO

Gli impianti dell'energia elettrica devono essere eseguiti in conformità alle corrispondenti norme di installazione e sicurezza. Il locale dove il forno verrà installato deve adempiere ai seguenti requisiti:

- essere al riparo dagli agenti atmosferici ed avere un adeguato ricambio d'aria;
- rispettare le normative vigenti relative alla sicurezza sul lavoro
- avere una temperatura compresa tra 5 °C e 35 °C con un livello di umidità non superiore al 70%.

Posizionare il forno e procedere alla messa a livello agendo sui piedini regolabili.

Mantenere una distanza posteriore sufficiente perché l'etichetta del morsetto equipotenziale sia visibile facilmente ad apparecchio installato. Lo stesso morsetto deve essere accessibile per l'installazione del cavo equipotenziale dopo che il forno è stato installato secondo le istruzioni indicate. Installare l'apparecchio in una posizione che ne permetta l'accesso al lato destro per le operazioni di installazione, manutenzione e assistenza tecnica.

1.6 COLLEGAMENTO ELETTRICO

L'apparecchio consegnato è predisposto per il funzionamento alla tensione riportata sulla targhetta "caratteristiche" applicata sul fianco destro dell'apparecchio.

L'apparecchiatura deve trovare inserimento in un sistema equipotenziale, la cui efficacia deve essere in conformità alla normativa in vigore. Il collegamento deve essere eseguito tramite la vite collocata nella parte posteriore del forno, contrassegnata dalla sigla **EQUIPOTENTIAL**.

Il Costruttore declina ogni responsabilità qualora questa importante norma antinfortunistica non venga rispettata.

Se il cavo di alimentazione è danneggiato, esso deve essere sostituito dal servizio assistenza tecnica o comunque da una persona con qualifica simile, in modo da prevenire ogni rischio.

1.7 TABELLA DATI TECNICI ALLACCIAMENTO ELETTRICO

Modello	Potenza assorbita e voltaggio	Numero e potenza motori	Potenza riscaldante	Potenza grill	Corrente assorbita
AFO EM4	3.6 kW 220-240 V 1N ~ 50/60 Hz	2 x 55 W	2.8 kW	0.7 kW	15.6 A

I forni sono provvisti di cavo elettrico di alimentazione.

3.1 SOSTITUZIONE PARTI DI RICAMBIO

La sostituzione di parti danneggiate deve essere realizzata unicamente da personale tecnico qualificato. Per richiedere al costruttore le parti da sostituire è necessario comunicare il modello del forno e il numero di serie. **Tali dati sono reperibili dalla targhetta caratteristiche attaccata al forno (vedi par. 1.4).** Prima di procedere alla sostituzione delle parti di ricambio è necessario, ai fini della sicurezza, disinserire l'interruttore elettrico di protezione, chiudere la valvola di intercettazione acqua installata a monte dell'apparecchio.

3.2 CONTROLLO DELLE FUNZIONI

Dopo aver completato l'installazione del forno è necessario eseguire una prova di tenuta delle condutture idriche. **L'installatore deve inoltre verificare, con gli opportuni strumenti di misurazione, che le emissioni di rumore aereo abbiano un livello di pressione sonora ponderato A è inferiore ai 70 dB(A).**

IMPORTANTE:

Prima che l'utilizzatore possa accendere il forno ed utilizzarlo per qualsiasi processo di cottura o lavaggio, è necessario che l'installatore o un tecnico qualificato abbia verificato che tutte le connessioni del forno siano state realizzate rispettando le indicazioni del presente manuale. Il tecnico o l'installatore dovranno quindi accertarsi che:

- il forno sia in posizione orizzontale e appoggiato su un supporto o un ripiano che ne garantisca la stabilità;
- la connessione elettrica sia stata realizzata nel rispetto delle normative e che la sezione dei cavi di alimentazione non sia inferiore a quella indicata nel manuale;

Dopo aver realizzato le verifiche è possibile aprire le valvole di intercettazione dell'acqua e l'interruttore elettrico di protezione, installati a monte dell'apparecchio.

L'installatore dovrà verificare il corretto funzionamento del forno e fornire all'utente le istruzioni necessarie ad un uso corretto, nonché accertarsi che all'utente sia stata consegnata una copia di questo manuale.

USO E MANUTENZIONE

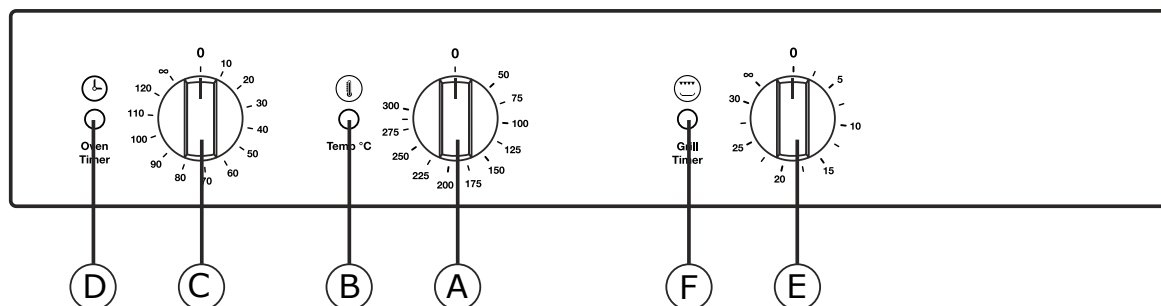
AVVERTENZE PER L'USO SICURO DEL FORNO

- Assicurarsi che il forno sia in posizione stabile e che i dispositivi di protezione installati a monte dell'apparecchio siano efficienti.
- Utilizzare sempre adeguati guanti protettivi per introdurre e/o estrarre le teglie.
- Porre sempre la massima attenzione al pavimento, che a causa del vapore prodotto durante le cotture potrebbe essere scivoloso.
- Al fine di evitare scottature non utilizzare teglie e contenitori con liquidi o fluidi nei livelli superiori a quelli che possono essere facilmente controllati a vista.
- Non appoggiare teglie o altri attrezzi da cucina sopra il forno.
- Far eseguire periodicamente un controllo al servizio tecnico e sostituire eventuali particolari danneggiati che potrebbero alterare il corretto funzionamento del forno o costituire condizione di pericolo.
- Pulire frequentemente il forno seguendo le indicazioni riportate in questo manuale.

CARICO MASSIMO DI ALIMENTI

Numero di teglie	Carico massimo
4 x 460x340 - 2/3 GN	8 kg

4.0 DESCRIZIONE COMPONENTI PANNELLO COMANDI



- A** Termostato camera cottura. Campo di regolazione temperatura 50 - 270 °C
- B** Lampada spia riscaldamento camera cottura in funzione
- C** Timer. Regolazione da 0 a 120 minuti o funzionamento ininterrotto.
- D** Lampada spia timer in funzione
- E** Timer grillr
- F** Lampada spia timer grill in funzione

4.5 AVVIAMENTO DEL FORNO

Aprire l'interruttore elettrico di protezione installato a monte dell'apparecchio e la valvola di intercettazione dell'acqua, se il forno è dotato del sistema di umidificazione manuale. Selezionare il tempo di cottura sul timer (C) che è regolabile fino ad un massimo di 120 minuti. Per un funzionamento ininterrotto del forno, selezionare la posizione ∞. L'inserimento del timer, con la porta chiusa, dà l'avvio al ciclo di cottura con l'avviamento dei motoventilatori e l'attivazione del riscaldamento. Al termine del tempo impostato un segnale acustico avvertirà la fine del ciclo di cottura con relativo arresto di tutte le funzioni. Nel selezionare il tempo di cottura occorre tenere sempre in considerazione il tempo necessario per preriscaldare il forno. E' buona norma osservare questa avvertenza prima di introdurre i cibi da cuocere nella camera di cottura.

4.6 SPEGNIMENTO DEL FORNO

Lo spegnimento del forno avviene selezionando con la manopola del timer la posizione 0.

9.0 MANUTENZIONE

Prima di effettuare qualsiasi operazione di manutenzione è obbligatorio disinserire l'interruttore elettrico di protezione e chiudere la valvola di intercettazione acqua che sono installati a monte dell'apparecchiatura.

La pulizia del forno deve essere effettuata al termine di ogni giornata lavorativa, utilizzando solo i prodotti adatti allo scopo. Le parti esterne in acciaio inox devono essere:

- 1- pulite con acqua tiepida saponata;
- 2- risciacquate con acqua;
- 3- asciugate accuratamente.

Evitare assolutamente l'uso di raschietti, paglietta metallica e di attrezzi di acciaio comune in quanto, oltre a strisciare le superfici, possono depositare particelle di ferro che, ossidandosi provocano la formazione di ruggine.

**NON LAVARE L'APPARECCHIO CON GETTI DI ACQUA.
NON UTILIZZARE PER LA PULIZIA DELL'ACCIAIO INOX PRODOTTI A BASE DI CLORO (CANDEGGINA, ACIDO CLORIDRICO) ANCHE SE DILUITI IN ACQUA.**

La camera di cottura del forno deve essere pulita da residui di cibo e di grassi dopo ogni processo di cottura. Per la pulizia della camera di cottura usare un prodotto sgrassante adatto alla pulizia dell'acciaio inossidabile, tipo spray, che permette di coprire tutti i punti dell'apparecchiatura e in particolare il retro del convogliatore di aspirazione.

Le ventole devono essere frequentemente pulite per evitare che l'accumularsi di residui di grasso sulle palette possa provocare la riduzione del numero dei giri del motore, la conseguente diminuzione di portata d'aria, nonché pericolose sollecitazioni meccaniche al motore stesso.

Durante i periodi di lunga inattività dell'apparecchiatura procedere come segue:

- 1- Disinserire l'interruttore elettrico di protezione;
- 2- Chiudere la valvola di intercettazione acqua (se il forno è collegato alla rete idrica);
- 3- Lasciare la porta socchiusa per favorire la circolazione dell'aria ed evitare la formazione di cattivi odori;
- 4- Stendere, con un panno leggermente imbevuto di olio di vaselina, un velo protettivo su tutte le superfici di acciaio inox.

9.1 COMPORTAMENTO IN CASO DI GUASTO O DI UN PROLUNGATO INUTILIZZO

In caso di cattivo funzionamento, guasto o intervento del termostato di sicurezza, bisogna spegnere l'apparecchio, disattivare le alimentazioni elettriche, idriche e avvisare il servizio tecnico di assistenza.

Tutti i lavori di installazione, manutenzione e riparazione devono essere eseguiti esclusivamente da personale qualificato ed autorizzato.

10.1 RIMEDI ALLE ANOMALIE DI COTTURA

Se la cottura non risultasse uniforme:

Controllate che lo spazio tra il cibo da cuocere e la teglia sovrastante sia almeno di 3 cm. valori inferiori non consentono la corretta ventilazione sul prodotto da cuocere.

Verificate che i cibi da cuocere non siano stati addossati tra loro, impedendo conseguentemente la corretta ventilazione tra i prodotti. La temperatura di cottura può essere troppo elevata, provare con valori inferiori.

Se il cibo si presentasse secco:

Il tempo di cottura dovrà essere ridotto.

La temperatura dovrà essere adeguatamente abbassata, ricordiamo in proposito che minore sarà la temperatura di cottura minore risulterà la perdita di peso dei cibi.

Il cibo da cuocere non è stato preventivamente unto con gli opportuni oli o sughi.

VORWORT

Der Inhalt dieses Handbuchs ist allgemeingültig und nicht alle beschriebenen Funktionen könnten in ihrem Produkt eingeschlossen sein.

Die Herstellerfirma übernimmt keinerlei Verantwortung für eventuell in dieser Broschüre enthaltene Ungenauigkeiten, die auf Druckfehler zurückzuführen sind und behält sich das Recht vor an ihren Produkten alle für notwendig erachteten Änderungen anzubringen, ohne die wesentlichen Eigenschaften zu beeinflussen.

Lesen Sie sorgfältig diese Bedienungsanleitung und beachten Sie insbesondere die gültigen Richtlinien bezüglich der Sicherheitsvorrichtungen. Das Gerät darf nur für den ursprünglich vorgesehenen Zweck, d. h. zum Regenerieren von vorgekochten Speisen und Warmzuhalten verwendet werden.

WARNUNG! Bevor Sie irgendeine Art von Verbindung dieser Geräte (elektrische oder hydraulische), lesen Sie bitte die Anweisungen in diesem Handbuch.

Dieses Handbuch soll mit Sorgfalt zu Referenzzwecken zur Verfügung von Benutzern oder Wartungstechnikern aufbewahrt werden. Die Installation darf ausschließlich von qualifiziertem Fachpersonal durchgeführt werden.

1.0 KONFORMITÄTSERKLÄRUNG

Der Hersteller bestätigt, dass die Geräte den EU-Vorschriften entsprechen. Die Installation muss, insbesondere bezüglich der Belüftung der Räume und der Abgasleitung, gemäß den gültigen Normen durchgeführt werden.

Achtung: Der Hersteller haftet nicht für direkte Schäden, die durch unsachgemäße Bedienung, falsche Installation, oder mangelnde Wartung verursacht worden sind.

1.1 EUROPÄISCHE RICHTLINIE 2012/19/UE

In Übereinstimmung mit den Anforderungen der Europäischen Richtlinie 2012/19/UE über Elektro- und Elektronik-Altgeräte (WEEE) ist vorliegendes Gerät mit einer Markierung versehen. Sie leisten einen positiven Beitrag für den Schutz der Umwelt und die Gesundheit des Menschen, wenn Sie dieses Gerät einer gesonderten Abfallsammlung zuführen



Im unsortierten Siedlungsmüll könnte ein solches Gerät durch unsachgemäße Entsorgung negative Konsequenzen nach sich ziehen. Auf dem Produkt oder der beiliegenden Produktdokumentation ist folgendes Symbol einer durchgestrichenen Abfalltonne abgebildet. Es weist darauf hin, dass eine Entsorgung im normalen Haushaltsabfall nicht zulässig ist. Entsorgen Sie dieses Produkt im Recyclinghof mit einer getrennten Sammlung für Elektro- und Elektronikgeräte.

Die Entsorgung muss gemäß den örtlichen Bestimmungen zur Abfallbeseitigung erfolgen. Bitte wenden Sie sich an die zuständigen Behörden Ihrer.

1.3 TRANSPORT DES OFENS UND ENTFERNUNG DER VERPACKUNG

Beim Eingang des Ofens und vor der Installation, überprüfen, daß die Verpackung intakt ist und es keine sichtliche Schäden gibt.

Überprüfen Sie, daß es zusammen mit dem Ofen die dazugehörigen Dokumentation gibt und zwar:

- Installation.Gebrauch-und Wartungsanleitungen
- Formular für die Überprüfung der korrekten Installation
- Schaltplan
- Etiketete ISO 3864-1

Vor dem Transport des Ofens bis zu dem Punkt, wo er installiert werden muss, überprüfen Sie daß:

- Die Türen sind groß genug um den Durchgang des Ofens zu gewähren;
- Der Bodenbelag das Gewicht tragen kann.

Je nach dem Modell des Ofens, seinen Abmessungen und seinem Gewicht, geeignete Einrichtungen verwenden, um die Ware während Transport und Installation zu bewegen, um die Stabilität zu gewähren und Fälle, Umkippen oder unkontrollierte Bewegung des Gerätes und seine Teile zu vermeiden.

Die Verpackung des Ofens halten, bis der Ofen installiert wird.

Die Verpackung macht die Bewegung der Ware einfacher und schützt den Ofen vor zufälligen Stößen.

Während des Umzugs und der Installation des Ofens, muss der Installateur die Unfallverhütungsvorschriften in Kraft am Ort der Installation respektieren (Verwendung von Sicherheitsschuhe, Handschuhe usw.).

Die Verpackung entfernen, ohne den Ofen zu schaden. Die Klebefolie, die die Edelstahloberfläche schützt kann entfernt werden, auch nach der Platzierung des Ofens über das entsprechende Untergestell oder auf der Auflagefläche.



ACHTUNG: Die Materialien der Verpackung und die Klebefolie sind potenziell gefährlich.

Aus diesem Grund sollen sie außerhalb der Reichweite der Kinder und richtig gehalten werden, in Übereinstimmung der lokalen Bestimmungen.

Sie sollten die Verpackungsmaterialien (Holz, Pappe, Plastik...) trennen und entsorgen Sie diese separat, in Übereinstimmung der gültigen Vorschriften am Ort der Installation.

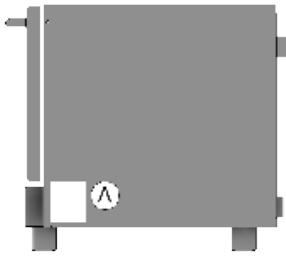
Achtung: Vor Inbetriebnahme des Gerätes die Schutzfolie von den Stahlteilen abziehen. Dafür dürfen keine Scheuermittel bzw. Metallgegenstände verwendet werden.

Klebrige Rückstände mit einem in Lösungsmittel getränktem Schwamm entfernen.

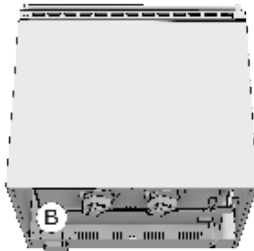
Wenn der Ofen in Betrieb gesetzt wird, ohne die Klebefolie wegzunehmen, wird die Entfernung der Klebefolie und die Reinigung der klebrigen Rückstände immer schwieriger.

1.4 INFORMATIONSETIKETTEN

Auf jedem Ofen finden Sie Metalletiketten, die wichtige Info über Merkmale des Ofens, Strom- und Wasseranschlüsse und eventuell Ablaufanschluss geben.



- Auf der rechten Wand liegt die Etikette A.
Die Informationen auf dieser Etikette sind die folgende:
- Name und Adresse des Herstellers
 - Ofenmodell
 - IPX-Schutz gegen Wasserstrahl
 - Konformität europäischen Vorschriften
 - Leistung und Art der Stromversorgung (einphasig oder dreiphasig).
 - Seriennummer der Öfen
 - Symbol der europäischen Vorschrift 2012/19/UE



Durch das Entfernen der hinteren Wand, finden Sie auf Ofenboden die Etikette B.

Auf dieser Etikette wird die Seriennummer des Ofens wiederholt.

Auf diesem Fall, kann der Kunde oder der Installateur die Seriennummer des Ofens finden, wenn die Etikette A schmutzig oder geschädigt ist.

INSTALLATION

1.5 POSITIONIERUNG DES OFENS

Die Wasser- und Stromversorgungsanlagen, sowie der Aufstellort, müssen den geltenden Installations- und Sicherheitsbestimmungen entsprechen.

Das Lokal, wo der Ofen installiert werden soll, muss die folgenden Anforderungen erfüllen und zwar:

- Vor Witterungseinflüssen geschützt werden und einen ausreichenden Luftaustausch haben;
- Einhaltung der Vorschriften zur Arbeitssicherheit;
- Eine Raumtemperatur zwischen 5°C und 35°C mit Feuchtigkeit nicht über 70%;

Stellen Sie den Ofen in Gleichgewicht durch den verstellbaren Füßen.

Für die Tischaufsatzgeräte halten Sie einen Abstand von min. 6 cm vom Ofenboden und dem Tisch (Fußstütze). Einen Hinterabstand halten, damit die Etikette für Equipotentialklemme sichtbar ist, wenn der Ofen installiert wird.

Die gleiche Klemme muss zugänglich sein, um Pa Kabel zu installieren, nachdem der Ofen gemäß der Bedienungsanleitung installiert worden ist. Das Gerät so aufstellen, dass die rechte Seite des Geräts für Installations-, Wartungs- und Reparaturarbeiten zugänglich sind. Den Mindestabstand zwischen den Wänden des Backofens (hintere Wand und rechte Seitenwand) und Mauern oder anderen Geräten beachten.

1.7 ELEKTROANSCHLUSS

Das Gerät wird werksgemäß für den Betrieb mit der auf dem Typenschild (auf der rechten Seite des Geräts angebracht) angegebenen Versorgungsspannung eingestellt. Des weiteren muss das Gerät in ein Potentialausgleichssystem eingeschlossen werden, dessen Wirksamkeit den geltenden Richtlinien entsprechen muss. Der Anschluss wird mit der Schraube am Rücken des Ofens durchgeführt, die mit EQUIPOTENTIAL gekennzeichnet ist und sich in der Nähe der Kabelklemme befindet.

Die Herstellerfirma übernimmt bei Nichtbeachtung dieser Unfallverhütungsmaßnahme keine Verantwortung.

Wenn das Netzkabel beschädigt ist, muss es durch den Kundendienst oder eine ähnlich qualifizierte Person ersetzt werden, um jegliches Risiko zu vermeiden.

1.7 TABELLE TECHNISCHE DATEN ELEKTROANSCHLUSS

Modelle	Leistung und Spannung	Anz. und Motorleistung	Heizleistung	Grilleistung	Strom
AFO EM4	3.6 kW 220-240 V 1N ~ 50/60 Hz	2 x 55 W	2.8 kW	0.7 kW	15.6 A

Die einphasigen Öfen sind mit einem Stromkabel ausgestattet.

3.1 AUSTAUSCH DER ERSATZTEILE

Die Ersetzung von beschädigten Teilen muss unbedingt mit Fachpersonal folgen. Um dem Hersteller nach Ersatzteilen zu fragen, muss man immer das genaue Ofensmodell und die Seriennummer mitteilen.

Diese Daten finden Sie auf der Etikette Technische Daten auf der rechten Seite des Ofens (Absatz 1.4). Bevor die Ersatzteile ausgetauscht werden, muss aus Sicherheitsgründen der elektrische Schutzschalter ausgeschaltet und das Wassersperrventil, geschlossen werden.

3.2 KONTROLLE DER FUNKTIONEN

Wenn die Installation fertig ist, muss man überprüfen daß alle Röhre wassergeprüft und eventuell gasgeprüft sind. **Der Installateur muss den regelmäßigen Betrieb des Ofens kontrollieren, dem Kunden die notwendigen Hinweisungen erteilen und ihm auch die Bedienungsanleitungen geben, die er gewissenhaft folgen muss.**

WICHTIG: Bevor der Benutzer den Ofen einschaltet und einen Gar-oder Waschzyklus einstellt, ist es notwendig der Installateur oder ein Fachtechniker überprüft dass alle Verbindungen in Ordnung sind gemäß der Bedienungsanleitungen.

Der Techniker oder der Installateur müssen das folgende überprüfen:

- Der Ofen muss stehen (waagrecht) und an einem Untergestell oder Regal setzen, um stabil zu sein.
- Elektroanschlüsse müssen gemäß der Richtlinien sein und der Querschnitt der Anschlusskabeln soll nicht kleiner als den in den Bedienungsanleitungen sein.

Nachdem Sie alles überprüft haben, den Wasserabsperrventil und der Schutzschalter, alle rückwärts montiert. Der Installateur muss den regelmässigen Betrieb des Ofens überprüfen und dem Benutzer den notwendigen Bedienungsanleitungen geben.

BEDIENUNGS-UND WARTUNGSANLEITUNG

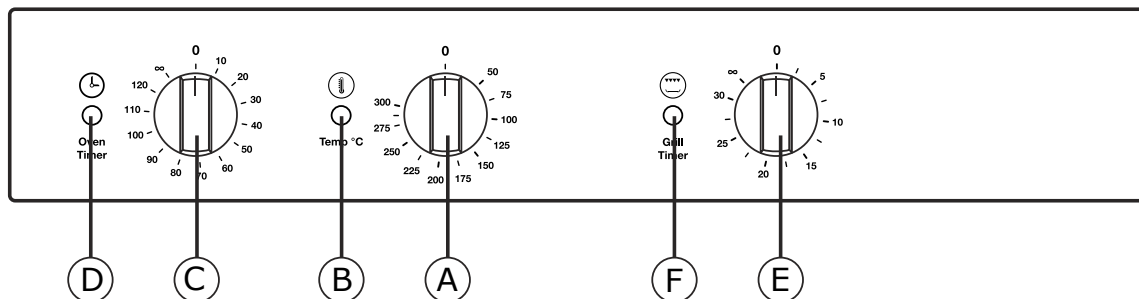
ANWEISUNGEN FÜR SICHEREN GEBRAUCH DES OFENS

- Überprüfen Sie den Ofen in einer stabilen Position liegt und die Schutzvorrichtungen aufwärts effizient sind.
- Immer geeignete Schutzhandschuhe tragen, um die Bleche zu stecken und herauszuziehen.
- Immer vorsichtig sein, weil der Boden wegen Dampf beim Garen rutschig sein könnte.
- Um Brandwunden zu vermeiden, nie Bleche oder Behälter verwenden mit Flüssigkeiten über ein Niveau, das man scharf bewachen kann.
- Nie Bleche oder andere Küchenwerkzeuge auf den Ofen legen.
- Oft die Geräte vom technischen Dienst überprüfen lassen, und die beschädigten Teile ersetzen, die den korrekten Betrieb des Ofens verändern könnten oder gefährlich sein.
- Oft den Ofen sauber machen, gemäß den Anweisungen in diesem Buchlein.

MAX. ESSENVERLADUNG

Kapazität	Essenverladung
4 x 460x340 - 2/3 GN	8 kg

4.0 BESCHREIBUNG BESTANDTEILE DER BEDIENUNGSTAFEL



- A** Garraumthermostat. Temperaturbereich 50 - 270 °C
- B** Signalleuchte Vorwärmen des Garraums in Betrieb
- C** Timer. Einstellung von 0 bis 120 Minuten oder ununterbrochener Betrieb.
- D** LED-Betriebsanzeige des Timers in Funktion
- E** Timer grill
- F** LED-Betriebsanzeige des Grill Timers in Funktion

4.5 INBETRIEBNAHME

Die dem Gerät vorgeschaltete Wasserabsperrventile und den elektrischen Sicherheitsschalter öffnen, wenn das manuelle Befeuchtungssystem installiert ist.

Die Garzeit auf dem Timer (C) einstellen, die bis maximal 120 Min. regulierbar ist; für längere Zeiten die Position (∞) wählen. Die Einstellung des Timers bei geschlossener Tür, startet die Garphase mit Betrieb des Motor-gebläses, Vorwärmung und Dampferzeugung, sofern gewählt. Bei Beendigung der eingestellten Zeit, signalisiert ein akustischer Ton das Ende der Garphase mit relativer Unterbrechung aller Funktionen.

Bei der Wahl der Garzeit muss die nötige Zeit für das Vorwärmen des Dämpfers mit einberechnet werden. Es ist ratsam, diese Anweisung vor Einführung der Speisen in den Garraum zu befolgen.

4.6 AUSSCHALTEN DES DÄMPFERS

Das Ausschalten des Gerätes erfolgt mit der Einstellung des Timer Knopfes für die Auswahl der Zyklen auf die Position 0.

9.0 WARTUNG

Vor Ausführung der Wartungsarbeiten ist der Schutzschalter auszuschalten und das Wasserabsperrventil zu schließen - beide befinden sich dem Gerät vormontiert.

Den Backofen am Ende eines jeden Tages reinigen, wobei geeignete Produkte zu verwenden sind.

Die Edelstahlteile sind täglich:

1. mit lauwarmem Seifenwasser zu reinigen
2. danach mit Wasser nachzuspülen;
3. sorgfältig trockenzureiben. Keinesfalls normale Stahlwolle, Stahlbürsten oder Schaber verwenden, da sich Eisenteilchen ablagern können, die aufgrund ihrer Oxydation Roststellen verursachen.

DAS GERÄT NICHT MIT DIREKTEM WASSERSTRAHL WASCHEN.

FÜR DAS REINIGEN DES INOX EDELSTAHLS KEINE PRODUKTE BENUTZEN, DIE CHLOR (SALZSÄURE ETC) ENTHALTEN AUCH WENN DIESE IN WASSER GELÖST SIND.

Der Ventilator muss regelmäßig gereinigt werden, damit sich auf den Ventilatorflügeln kein Fett absetzt.

Fettablagerungen verursachen eine Verminderung der Motordrehzahl und der Luftzufuhr, wodurch eine gefährliche mechanische Beanspruchung des Motors hervorgerufen wird.

Bei längerem Gerätestillstand wie folgt vorgehen:

1. den Schutzschalter ausschalten;
2. das Wasserabsperrventil schließen (beide dem Geräts vormontiert);
3. zur Vermeidung von Geruchsbildung die Backofentür halb offen lassen;
4. auf alle Edelstahlteile mit einem Tuch eine dünne Schicht Vaselineöl auftragen.

9.1 ANWEISUNGEN BEI STÖRUNGEN BZW. LÄNGEREM GERÄTESTILLSTAND

Bei Fehlbetrieb, Störung oder unsachgemäßer Betätigung des Sicherheitsthermostats muss das Gerät ausgeschaltet und die Strom- und Wasserzufuhr unterbrochen werden. Den Kundendienst benachrichtigen.

Sämtliche Installations-, Wartungs- und Reparaturarbeiten dürfen ausschließlich vom Fachpersonal durchgeführt werden.

10.1 ABHILFE BEI ANORMALEM GAREN

Bei ungleichmäßigem Garen:

Sicherstellen, dass der Abstand zwischen der zu garenden Speise und dem darüber liegenden Behälter mindestens 3 cm beträgt. Ein geringerer Abstand verhindert die korrekte Belüftung des zu garenden Produkts. Sicherstellen, dass die zu garenden Speisen nicht zu nahe beieinander liegen und dadurch eine korrekte Belüftung zwischen den Produkten verhindern. Die Gartemperatur könnte zu hoch sein. Eine niedrigere Temperatur einstellen. Wenn das Produkt den direkten Kontakt mit der Heißluft nicht verträgt, muss es in einem Gastro-Norm-Behälter mit angemessener Tiefe angeordnet werden.

Bei zu trockenen Speisen:

Die Garzeit verkürzen.

Die Temperatur muss niedriger eingestellt werden. Dabei beachten, dass je niedriger die Temperatur eingestellt ist, um so geringer der Gewichtsverlust ist.

Der Kombi-Garvorgang, der die Luftfeuchtigkeit im Garraum erhöht, wurde nicht eingestellt.

Die zu garenden Speise wurde zuvor nicht mit den notwendigen Ölen oder Soßen eingestrichen.

AVANT-PROPOS

Le contenu de ce manuel est générique et pas toutes les fonctionnalités décrites peuvent être inclus dans votre produit.

Le fabricant décline toute responsabilité pour toute inexactitude contenue dans cette brochure en raison d'erreurs d'impression ou des erreurs involontaires. Nous nous réservons le droit d'apporter des modifications à ses produits comme elle le juge nécessaire ou utile, sans compromettre les caractéristiques essentielles. Lire la notice avec attention et faire particulièrement attention aux normes concernant les dispositifs de sécurité.

Cet appareil ne devra être destiné qu'à l'emploi pour lequel il a été expressément construit, c'est-à-dire pour la cuisson des plats et pour la régénération des denrées précuites et/ou réfrigérées.

ATTENTION! Avant d'effectuer tout type de connexion de cet équipement (électrique ou hydraulique), lire attentivement les instructions de ce manuel. Cette notice devrait rester avec soin afin d'être disponible pour toute référence ultérieure aux utilisateurs ou techniciens d'entretien.

L'installation doit être effectuée exclusivement par du personnel qualifié.

1.0 DÉCLARATION DE CONFORMITÉ

Le constructeur déclare que les appareils sont conformes aux normes CEE.

L'installation devra être effectuée en respectant les normes en vigueur, notamment celles concernant l'aération des locaux.

Attention: Le constructeur décline toute responsabilité en cas de dommages dérivant d'une utilisation incorrecte, d'une installation erronée et d'une mauvaise maintenance.

1.1 DIRECTIVE EUROPÉENNE ROHS 2012/19/UE

Cet appareil porte le symbole du recyclage conformément à la Directive Européenne 2012/19/UE concernant les Déchets d'Équipements Électriques et Électroniques (DEEE ou WEEE). En procédant correctement à la mise au rebut de cet appareil, vous contribuerez à empêcher toute conséquence nuisible pour l'environnement et la santé de l'homme.



Le symbole présent sur l'appareil ou sur la documentation qui l'accompagne indique que ce produit ne peut en aucun cas être traité comme déchet ménager.

Il doit par conséquent être remis à un centre de collecte des déchets chargé du recyclage des équipements électriques et électroniques. Pour la mise au rebut, respectez les normes relatives à l'élimination des déchets en vigueur dans le pays d'installation.

Pour obtenir de plus amples détails au sujet du traitement, de la récupération et du recyclage de cet appareil, veuillez vous adresser au bureau compétent de votre commune, à la société de collecte des déchets ou directement à votre revendeur.

1.3 TRANSPORT DU FOUR ET ELIMINATION DE L'EMBALLAGE

À la réception du four et avant l'installation, vérifiez que l'emballage est intact et qu'il n'y a pas des dommages visibles.

Vérifier qu'avec le four, il n'ya pas aucune documentation, consistant en :

- notice d'installation, utilisation et entretien
- Fiche pour la correcte installation du four
- Schéma électrique
- Étiquette ISO 3864-1

Avant de transporter le four jusqu'à la place de l'installation vérifier que :

- Les portes sont assez grandes pour permettre le passage du four.
- Le plancher support le poids.

Selon le modèle du four, ses dimensions et son poids, utiliser pour la movimentation pendant le transport et avant l'installation équipement, qui garantisse stabilité pour éviter chutes, renversements ou mouvements non contrôlés de l'appareil ou de ses composantes.

Conserver l'emballage jusqu'au lieu où le four sera installé.

L'emballage aide la movimentation de la marchandise et protège le four des chocs accidentels.

Pendant le déménagement et l'installation du four, l'installateur doit respecter les normes de prévention des accidents en vigueur sur le lieu d'installation (utilisation des chaussures de sécurité et gants etc.).

Enlever l'emballage en prenant soin de ne pas endommager le four. Le film adhésif qui protège les surfaces en acier inox peut être enlevé même après la mise en place au-dessus du support correspondant, ou sur la surface d'appui.



ATTENTION. Matériaux d'emballage et films adhésifs sont potentiellement dangereux.

Pour cette raison ils doivent être gardés hors de portée des enfants et éliminés en conformité avec les réglementations locales.

Vous devez séparer les matériaux d'emballage (bois, carton, plastique...) et les jeter séparément, dans le respect de la réglementation applicable au site d'installation.

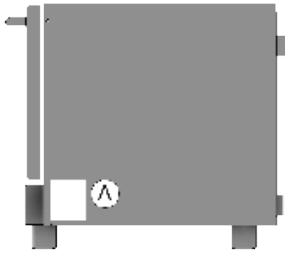
Avant de mettre en marche l'appareil, enlever les films de protection sur les parties en acier inox, en évitant d'utiliser des substances abrasives et/ou des objets métalliques.

Effacer tout résidu d'adhésif à l'aide d'une éponge imbibée du solvant.

Si le four est chauffé sans avoir éliminé le film adhésif, l'enlèvement du film et le nettoyage des résidus de colle sera beaucoup plus difficile.

1.4 ETIQUETTES INFORMATIVES

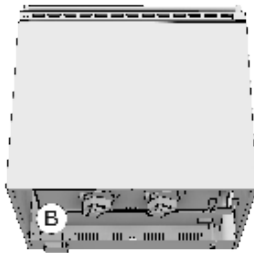
Dans chaque four s'appliquent certaines étiquettes métalliques, qui donnent des renseignements importants concernant les caractéristiques du four, le branchement électrique et hydraulique et par la suite le branchement à la purge.



La plaque A est apposée sur le côté droit.

Les renseignements contenus dans cette plaque sont les suivantes:

- Nom et adresse du constructeur
- Modèle du four
- Protection IPX contre les liquides
- La puissance absorbée et le type d'alimentation (monophasé ou triphasé)
- Numéro de série du four
- Symbole de la directive européenne



En enlevant le panneau derrière, sur la base du four est appliquée la plaque B.

Sur cette plaque le numéro de série du four est répété.

Dans cette façon, le client ou l'installateur peuvent connaître le numéro de série du four même si la plaque A est sale ou endommagée.

INSTALLATION

1.5 POSITIONNEMENT DU FOUR

Les installations hydraulique et électrique ainsi que les locaux dans lesquels les appareils sont installés doivent répondre aux normes d'installation et de sécurité en vigueur.

L'établissement où sera installé le four doit être conforme aux exigences suivantes:

- Être protégés contre les agents atmosphériques et de procéder à un échange d'air;
- Conformer aux règlements concernant la sécurité au travail.
- Avoir une température entre 5°C et 35°C avec un pourcentage d'humidification jusqu'à 70%.

Positionner le four et procéder à la mise à niveau à l'aide des pieds réglables.

Il doit rester un espace minimum de 6 cm entre le fond du four et le plan d'appui des pieds.

Maintenir une distance postérieure suffisante afin que l'étiquette de la borne equipotentielle soit visible facilement quand l'appareil est installé. La même borne doit être accessible pour l'installation du câble equipotential quand le four a été installé selon les instructions indiqués.

Placer l'appareil de façon à permettre l'accès du côté droit pour les opérations d'installation, entretien et assistance technique.

1.6 RACCORDEMENT ÉLECTRIQUE

L'appareil fourni est prédisposé pour fonctionner à la tension indiquée sur la plaquette signalétique placée sur le côté droit de l'appareil.

L'appareil doit être placé dans un système equipotential, dont l'efficacité doit être conforme à la réglementation en vigueur.

Le branchement doit être effectué par le biais de la vis qui se trouve à l'arrière du four, marquée avec le sigle **EQUIPOTENTIAL**.

Le Constructeur décline toute responsabilité au cas où cette norme importante concernant la prévention des accidents ne sera pas respectée.

1.7 TABLEAU DES DONNEES TECHNIQUES BRANCHEMENT ÉLECTRIQUE

Modèle	Puissance absorbée et voltage	n° et puissance moteur	Puissance de chauffe	Puissance grill	Courant absorbé
AFO EM4	3.6 kW 220-240 V 1N ~ 50/60 Hz	2 x 55 W	2.8 kW	0.7 kW	15.6 A

Les fours monophasés sont fournis avec câble d'alimentation électrique.

3.1 REMPLACEMENT DES PIÈCES

Le remplacement des pièces endommagées doit être effectuée uniquement par un personnel technique qualifié. Pour demander au fabricant les pièces de remplacer dont vous avez besoin pour communiquer le modèle du four et le numéro de série. **Ces données sont disponibles sur la plaque des caractéristiques fixée au four.** Pour des raisons de sécurité, avant de remplacer les pièces, il faut débrancher l'interrupteur électrique de protection et fermer les robinets de l'eau installé en amont de l'appareil.

3.2 CONTRÔLE DES FONCTIONS

Après l'installation du four est nécessaire d'effectuer un test d'étanchéité des conduites d'eau.

L'installateur doit toujours vérifier avec les instruments de mesurage nécessaires que les émissions de rumeur aérienne ont un niveau de pression sonore pesé A, inférieur à 70 dB (A).

IMPORTANT:

Avant que l'utilisateur peut allumer le four et l'utiliser pour tous phases de cuisson ou lavage, il est nécessaire que l'installateur ou un technicien qualifié a vérifié que toutes les connexions du four ont été faites selon les instructions de ce manuel.

Le technicien ou l'installateur devront vérifier:

- Le four est en position horizontale et placé sur un support ou une étagère qui assurent son stabilité.
- Que le branchement électrique a été réalisée en conformité avec les règlements et que la section des câbles d'alimentation ne soit pas inférieure à celle indiquée dans le manuel.
- La pression et la dureté de l'eau qui alimente le four sont spécifiés dans les paragraphes de ce manuel.
- Si le four est équipé avec tuyau de décharge, il doit être branché correctement et les matériaux utilisés adaptés pour la température de fonctionnement.

Après on a effectué les contrôles, vous pouvez ouvrir les vannes d'arrêt de l'eau et aussi le disjoncteur, installé en amont de l'appareil. L'installateur doit vérifier le bon fonctionnement du four et vous fournir les instructions nécessaires pour une bonne utilisation, et vérifier à ce que l'utilisateur reçoit une copie de ce manuel.

EMPLOI ET MAINTENANCE

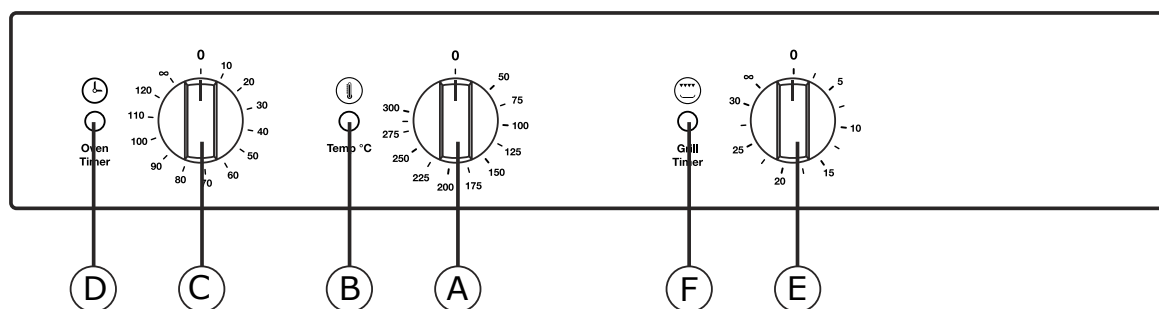
INSTRUCTIONS POUR L'UTILISATION SÛRE DU FOUR

- S'assurer que le four est installé sur une position stable et que les dispositifs installés en amont de l'appareil soient efficaces.
- Toujours utiliser des gants de protection pour introduire et extraire les bacs.
- Faire attention au sol, parce que la vapeur de la cuisson peut le rendre glissant.
- Afin d'éviter brûlures n'utiliser jamais des bacs ou des récipients avec liquides avec niveaux supérieurs à lesquels, qui peuvent être contrôlé à vue.
- Ne pas appuyer bacs ou autres ustensiles de cuisine sur le four.
- Effectuer périodiquement un contrôle par le service technique et remplacer composants endommagés, qui peuvent altérer le fonctionnement correcte du four ou être état de danger.
- Souvent nettoyer le four en suivant les instructions de ce notice.

CHARGEMENT MAX. DES ALIMENTS

Nombre de bacs	Charge maximale
4 x 460x340 - 2/3 GN	8 kg

4.0 DESCRIPTION DES ÉLÉMENTS DU PANNEAU



- A** Thermostat enceinte cuisson. Plage de température 50 - 270 °C
- B** Voyant chauffage enceinte de cuisson en fonction
- C** Minuteur. Réglage de 0 à 120 minutes ou fonctionnement ininterrompu.
- D** Voyant minuteur en fonction
- E** Minuteur grill
- F** Voyant minuteur grill en fonction

4.5 MISE EN MARCHÉ

S'assurer que la vanne d'arrivée eau (si le four est équipé avec le système d'humidification manuel) et l'interrupteur électrique de protection installé en amont de l'appareil soient ouverts. Choisir le temps de cuisson avec la minuterie (C) qui est réglable jusqu'à un maximum de 120 min; pour des durées supérieures, choisir la position (∞) de durée continue. La mise en marche de la minuterie, lorsque la porte est fermée, fait démarrer le cycle de cuisson, le moto-ventilateur, le chauffage et la génération de vapeur, si le cycle a été choisi. Lorsque le temps programmé s'est écoulé, un signal acoustique annonce la fin du cycle de cuisson et toutes les fonctions s'arrêtent. En choisissant le temps de cuisson, il faut toujours tenir compte du temps nécessaire pour préchauffer le four. Nous conseillons de préchauffer le four avant d'introduire les aliments dans l'enceinte de cuisson.

4.6 ARRÊT DU FOUR

Le four s'éteint lorsqu'on met le bouton du minuteur sur la position 0.

9.0 ENTRETIEN

Avant de commencer toute opération de maintenance, il est obligatoire de déconnecter l'interrupteur de protection électrique et de fermer le robinet d'arrêt d'eau, installés tous deux en amont de l'appareil.

Nettoyer le four à la fin de chaque journée d'utilisation avec des produits adéquats.

Les parties extérieures en acier inox doivent être:

1. nettoyées avec de l'eau tiède savonneuse,
2. rincées à l'eau,
3. essuyées avec soin.

Ne pas utiliser de grattoirs ni de paille de fer ou tout autre ustensile en acier car non seulement ils peuvent rayer les surfaces en inox mais ils peuvent également déposer des particules de fer qui, en s'oxydant, pourraient provoquer la formation de rouille.

NE PAS UTILISER DE JETS D'EAU POUR LAVÉ LES PARTIES EN ACIER INOX D'APPAREIL.

NE PAS UTILISER DES PRODUITS À BASE DE CHLORE (EAU DE JAVEL, ACIDE CHLORHYDRIQUE) MÊME DILUÉ.

La chambre de cuisson du four doit être nettoyée de la graisse et des résidus alimentaires après chaque cycle de cuisson.

Pour nettoyer la chambre de cuisson, utilisez un produit dégraissant adapté au nettoyage de l'acier inoxydable, tel que le spray, qui vous permet de couvrir tous les points de l'appareil et en particulier l'arrière du convoyeur d'aspiration.

Le ventilateur doit être constamment nettoyé pour éviter que les résidus de gras ne s'accumulent sur les palettes, ce qui non seulement provoquerait la diminution du nombre de tours du moteur et du débit d'air mais provoquerait également des sollicitations mécaniques dangereuses pour le moteur même.

Si l'appareil doit rester éteint pendant une longue durée, procéder comme suivant:

- 1-déconnecter l'interrupteur de protection électrique;
- 2-fermer le robinet d'arrêt d'eau (tous deux placés en amont de l'appareil);
- 3-laisser la porte entrouverte afin que l'air puisse circuler pour éviter la formation de mauvaises odeurs;
- 4-étendre une couche de protection sur toutes les surfaces en acier inox en passant un chiffon légèrement imbibé d'huile de vaseline.

9.1 QUE FAIRE EN CAS DE PANNE ET/OU D'ARRÊT PROLONGÉ DE L'APPAREIL

En cas de mauvais fonctionnement, de panne ou d'intervention du thermostat de sûreté, il faut éteindre l'appareil, couper le courant et l'alimentation en eau puis appeler le service après-vente.

Toutes les opérations d'installation, de maintenance ou de réparation doivent être effectuées exclusivement par du personnel qualifié et agréé.

10.1 QUE FAIRE POUR RÉSOUDRE LES PROBLÈMES DE CUISSON

Si la cuisson n'est pas homogène:

Contrôler qu'il y ait au moins un espace de 3 cm entre l'aliment à cuire et le bac placé au-dessus. Un espace inférieur empêche l'air de circuler correctement. Vérifier que les aliments à cuire ne soient pas entassés les uns contre les autres, ce qui empêcherait une bonne circulation de l'air entre les aliments.

La température de cuisson est peut-être trop élevée, essayer donc de cuisiner avec des températures plus basses; si le produit ne supporte pas le contact direct avec l'air chaud, utiliser un bac G.N. ayant une profondeur.

Si l'aliment cuit résulte sec:

Réduire le temps de cuisson.

Baisser la température. Nous rappelons que plus la température de cuisson est basse, plus la perte en poids est limitée. Le cycle mixte qui permet d'humidifier l'enceinte de cuisson n'a pas été sélectionné.

L'aliment n'a pas été suffisamment huilé ou recouvert de sauce avant la cuisson.

PREMISA

El contenido de este manual es genérico y no todas las funcionalidades descritas podrían estar incluidas en su producto.

El fabricante declina toda responsabilidad por las posibles inexactitudes contenidas en el presente documento, imputables a errores de impresión o relacionadas. El fabricante se reserva el derecho de aportar a sus propios productos aquellas modificaciones que se consideren necesarias o útiles, sin perjudicar las características esenciales. Leer detenidamente las instrucciones de uso, con particular atención para las normas correspondientes a los dispositivos de seguridad. Este aparato debe ser destinado sólo para el uso para el cual ha sido expresamente diseñado y fabricado, es decir: para todas las cocciones de alimentos y la regeneración de comidas precocidas y/o refrigeradas.

ATENCIÓN! Antes de realizar cualquier tipo de conexión de este equipo (eléctrica o hidráulica), leer cuidadosamente las instrucciones de este manual. Este manual debe de ser conservado cuidadosamente para estar disponible para futuras consultas por parte de los usuarios o de los técnicos prepuestos al mantenimiento.

La instalación debe ser llevada a cabo sólo por personal cualificado.

1.0 DECLARACIÓN DE CONFORMIDAD

El fabricante declara que los aparatos son conformes a las prescripciones CEE.

La instalación debe ser efectuada según las normas vigentes, sobre todo en cuanto a la ventilación de los locales.

El Fabricante rehusa cualquier responsabilidad en caso de daños directos causados por: uso no correcto, instalación incorrecta y/o falta de mantenimiento.

1.1 DIRECTIVA EUROPEA ROHS 2012/19/UE

Este aparato lleva el marcado CE en conformidad con la Directiva 2012/19/UE del Parlamento Europeo y del Consejo sobre residuos de aparatos eléctricos y electrónicos (RAEE).

La correcta eliminación de este producto evita consecuencias negativas para el medioambiente y la salud.



El símbolo en el producto o en los documentos que se incluyen con el producto, indica que no se puede tratar como residuo doméstico.

Es necesario entregarlo en un punto de recogida para reciclar aparatos eléctricos y electrónicos.

Deséchelo con respeto a las normas medioambientales para eliminación de residuos.

Para obtener información más detallada sobre el tratamiento, recuperación y reciclaje de este producto, póngase en contacto con el ayuntamiento, con el servicio de eliminación de residuos urbanos o la tienda donde adquirió el producto.

1.3 TRANSPORTE DEL HORNO Y REMOCIÓN DE LOS EMBALAJES

A la recepción del horno y antes de proceder a la instalación, asegurarse de que el embalaje esté intacto y que no hayan daños visibles.

Comprobar que junto con el horno se entregue toda la documentación, que consiste en:

- manual de instalación, uso y mantenimiento
- ficha de comprobación de correcta instalación
- esquema eléctrico
- pegatina ISO 3864-1

Antes de transportar el horno hasta el punto donde tiene que ser instalado, comprobar que:

- las puertas tengan una anchura suficiente para permitir el paso del horno;
- la pavimentación pueda aguantar el peso.

Dependiendo del modelo del horno, de su tamaño y de su peso, utilizar para el manejo durante el transporte y el desplazamiento antes de la instalación, equipamientos que garanticen la estabilidad para evitar vuelcos, caídas o movimientos incontrolados del dispositivo o de sus partes componentes. Mantener el embalaje del horno hasta el lugar donde se va a instalar el horno. El embalaje facilita el manejo y protege el horno de impactos accidentales. Durante el transporte y la instalación del horno, el instalador debe cumplir con las normas de seguridad vigentes en el lugar de instalación (uso de calzado de seguridad, guantes, etc.). Desembalar con cuidado para no dañar el horno. La película adhesiva que protege las superficies de acero inoxidable también se puede quitar después de colocar el horno encima del soporte correspondiente o en la superficie de apoyo.



¡ATENCIÓN! Los materiales de embalaje y las películas adhesivas son potencialmente peligrosos. Por esta razón, deben mantenerse fuera del alcance de los niños y correctamente eliminados de acuerdo con las normativas locales. Es conveniente separar los materiales de embalaje (madera, cartón, plástico ...) y desecharlos por separado, en cumplimiento de las normas vigentes en el lugar de instalación.

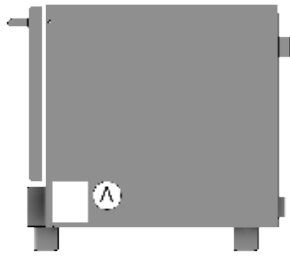
Nota: Remover manualmente las películas protectoras de las partes en acero inoxidable antes de poner en servicio el aparato, evitando emplear sustancias abrasivas y/o objetos metálicos.

Limpiar cualquier residuo de pegamento utilizando una esponja empapada en disolvente.

Si se hace calentar el horno sin retirar primero las películas adhesivas, la eliminación de la película y la limpieza de residuos de adhesivo será mucho más difícil.

1.4 TARJETAS INFORMATIVAS

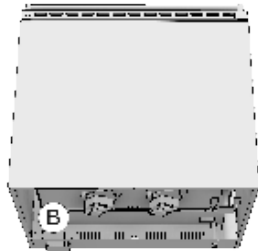
En cada horno son aplicadas algunas placas metálicas que proporcionan información importante sobre las características del horno, las conexiones eléctricas y de agua y, eventualmente, la conexión al desagüe.



En el lado derecho está aplicada la tarjeta A.

Los datos de esta tarjeta son:

- nombre y dirección del fabricante
- modelo del horno
- el nivel de protección IPX contra la entrada de líquidos
- el cumplimiento de las normativas C.E.
- la potencia eléctrica absorbida y el tipo de alimentación (monofásica o trifásica)
- el número de serie del horno
- el símbolo de la Directiva Europea 2012/19/UE



Desmontando el panel trasero, sobre la base del horno está pegada la tarjeta B.

En esta tarjeta es repetido el número de serie del horno.

De esta manera, el cliente o el instalador puede conocer el número de serie del horno, en el caso que la placa A esté sucia o dañada.

INSTALACIÓN

1.5 POSICIONAMIENTO DEL HORNO

La de la energía eléctrica así como los locales donde se emplazan los aparatos, deben cumplir las normas de instalación y seguridad.

El sitio donde se instalará el horno debe cumplir con los siguientes requisitos:

- Estar resguardado de los agentes atmosféricos y tener un adecuado recambio de aire;
- cumplir con los reglamentos relativos a la seguridad laboral
- tener una temperatura entre 5 °C y 35 °C con un nivel de humedad no superior al 70%.

Mantener en la parte trasera una distancia suficiente porque la etiqueta del terminal equipotencial puede verse fácilmente cuando el horno haya sido instalado. El mismo terminal debe ser accesible para la instalación del cable equipotencial después que el horno ha sido instalado, de acuerdo con las instrucciones.

Instalar el aparato en una posición que permita acceder a su lado derecho para poder efectuar las operaciones de instalación, mantenimiento y asistencia técnica.

1.6 CONEXIÓN ELÉCTRICA

El aparato entregado está predispuesto para funcionar con el voltaje indicado en la placa de "Características" aplicada en el lado derecho del aparato.

Es preciso conectar el aparato en un sistema equipotencial, cuya eficacia debe cumplir las normas vigentes. La conexión debe ser efectuada empleando el tornillo situado en el lado trasero del horno, marcado con la sigla **EQUIPOTENTIAL**.

El Fabricante rehusa cualquier responsabilidad en caso de incumplimiento de esta norma fundamental.

Si el cable de alimentación está dañado, debe ser reemplazado por el servicio de asistencia técnica o por una persona calificada similar, a fin de evitar cualquier riesgo.

1.7 TABLA DATOS TÉCNICOS CONEXIÓN ELÉCTRICA

Modelo	Potencia y voltaje	n° y potencia motores	Potencia calefacción	Potencia grill	Consumo corriente
AFO EM4	3.6 kW 220-240 V 1N ~ 50/60 Hz	2 x 55 W	2.8 kW	0.7 kW	15.6 A

Los hornos monofásico se suministran equipados con un cable de alimentación eléctrica.

3.1 SUSTITUCIÓN PIEZAS DE RECAMBIO

La sustitución de las piezas dañadas debe ser realizada únicamente por personal técnico cualificado. Para solicitar al fabricante las partes que hay que sustituir deberán proporcionar el modelo de horno y número de serie.

Estos datos se pueden encontrar en la etiqueta de especificaciones pegada al horno.

Antes de proceder a la sustitución de las piezas es necesario, por motivos de seguridad, desconectar la alimentación eléctrica y cerrar la válvula del agua instaladas por encima del aparato.

3.2 CONTROL DE LAS FUNCIONES

Después de finalizar la instalación del horno es necesario realizar una prueba de fugas de la red de agua y eventualmente de gas. **El instalador debe también verificar, con los medios de medición adecuados, que las emisiones de ruido aéreo tengan un nivel de presión sonora ponderada A inferior a 70 dB (A).**

IMPORTANTE:

Antes de que el usuario pueda encender el horno y utilizarlo para cualquier proceso de cocción o de lavado, es necesario que el instalador o un técnico cualificado haya comprobado que todas las conexiones del horno hayan sido realizadas según las instrucciones de este manual.

El técnico o el instalador tendrán entonces que asegurarse que:

- el horno esté en posición horizontal y colocado encima de un soporte que asegure su estabilidad.
- la conexión eléctrica haya sido realizada en cumplimiento de la normativa y que la sección de los cables de alimentación no sea inferior a la indicada en el manual.
- la presión y la dureza del agua que alimenta el horno estén dentro de los campos especificados en este manual.
- el desagüe del horno (si está presente) esté conectado correctamente y que los materiales utilizados sean adecuados para las temperaturas de funcionamiento.

Después de haber hecho esas comprobaciones, es posible abrir la válvula del agua y el interruptor eléctrico, instalados por encima del aparato.

El instalador debe verificar el funcionamiento correcto del horno y proporcionar al usuario las instrucciones necesarias para el uso correcto, así como asegurarse de que al usuario haya sido entregada una copia de este manual.

USO Y MANTENIMIENTO

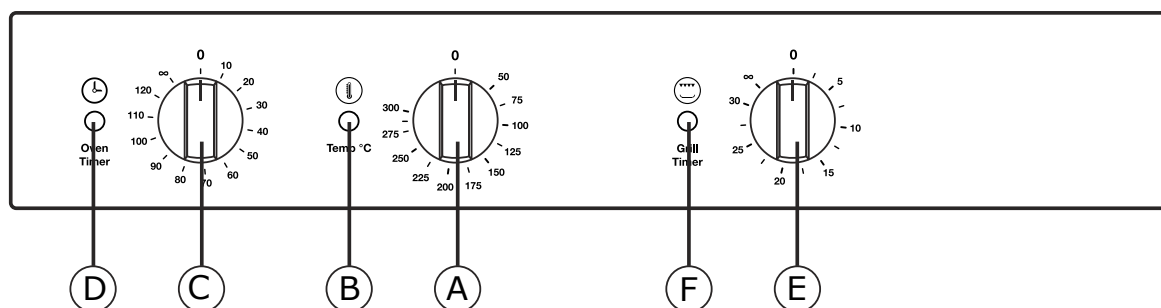
ADVERTENCIAS PARA EL USO SEGURO DEL HORNO

- Asegurarse de que el horno esté en una posición estable y que los dispositivos de protección instalados por encima del mismo sean eficientes.
- Utilizar siempre adecuados guantes de protección para introducir y/o extraer las bandejas.
- Poner siempre mucha atención al suelo, que a causa del vapor producido durante la cocción podría ser resbaladizo.
- Al fin de evitar quemaduras, no utilizar bandejas y contenedores con líquidos o fluidos en los niveles más arriba de los que se pueden controlar fácilmente con la vista.
- No apoyar bandejas u otros utensilios de cocina encima del horno.
- Hacer realizar controles periódicos al servicio técnico y sustituir las piezas dañadas que podrían afectar al buen funcionamiento del horno o representar una condición de peligro.
- Limpiar frecuentemente el horno siguiendo las instrucciones que figuran en este manual.

CARGA MÁXIMA DE ALIMENTOS

Número de bandejas	Carga máxima
4 x 460x340 - 2/3 GN	8 kg

4.0 DESCRIPCIÓN COMPONENTES PANEL DE MANDOS



- A** Termóstato cámara cocción. Rango de regulación de temperatura 50 - 270 °C
- B** Lámpara piloto calentamiento cámara cocción en funcionamiento
- C** Temporizador. Ajuste de 0 a 120 minutos o funcionamiento ininterrumpido.
- D** Lámpara piloto temporizador en funcionamiento
- E** Temporizador grill
- F** Lámpara piloto temporizador grill en funcionamiento

4.5 ENCENDIDO DEL HORNO

Abrir la llave de paso del agua (si el horno dispone de humidificación manual) y el interruptor eléctrico de protección instalados por encima del aparato. Seleccionar el tiempo de cocción en el temporizador (C), que es regulable hasta un máximo de 120 minutos; para tiempos más largos seleccionar la posición (∞) de duración ilimitada. La activación del temporizador, con la puerta cerrada, activa el ciclo de cocción con el arranque del motoventilador, la activación del calentamiento y la generación del vapor, si seleccionada.

Al final del tiempo establecido una señal acústica avisa que ha terminado el ciclo de cocción, con correspondiente parada de todas las funciones. Cuando se selecciona el tiempo de cocción es preciso tener siempre presente el tiempo necesario para precalentar el horno.

4.6 APAGADO DEL HORNO

El horno se apaga colocando el mando del temporizador en la posición OFF.

9.0 MANTENIMIENTO

Antes de efectuar cualquier operación de mantenimiento es obligatorio desconectar el interruptor eléctrico de protección y cerrar la llave de paso del agua instalados aguas arriba del aparato.

Es preciso limpiar el horno al final de cada día, empleando productos aptos para esta operación.

Las partes exteriores en acero inoxidable deben ser:

1. limpiadas con agua tibia jabonosa;
2. enjuagadas con agua;
3. secadas cuidadosamente.

Evitar terminantemente el uso de rascadores, lana metálica y de herramientas en acero común, ya que, además de rayar las superficies, pueden soltar partículas de hierro que causan la formación de óxido.

NO LAVAR EL APARATO CON CHORROS DE AGUA.

PARA LIMPIAR EL ACERO INOXIDABLE NO EMPLEAR PRODUCTOS A BASE DE CLORO (LEJÍA, ÁCIDO CLORHÍDRICO) TAMPOCO DILUIDOS EN AGUA.

La cámara de cocción del horno debe limpiarse de los residuos de comida y grasa después de cada proceso de cocción. Para limpiar la cámara de cocción, utilice un producto desengrasante adecuado para la limpieza de acero inoxidable, como un spray, que cubra todos los puntos del aparato y, en particular, la parte posterior del transportador de aspiración..

Es preciso mantener siempre limpio el ventilador para evitar que la acumulación de residuos de grasa en sus palas pueda reducir el número de revoluciones del motor, con consiguiente menor caudal de aire y peligrosos esfuerzos mecánicos para el propio motor.

Durante los largos periodos de inactividad del aparato proceder como sigue:

1. desconectar el interruptor eléctrico de protección;
2. cerrar la llave de paso del agua (ambos instalados aguas arriba del aparato);
3. dejar la puerta entreabierta para permitir que circule el aire y evitar que se formen malos olores;
4. aplicar, con un paño ligeramente empapado de aceite de vaselina, una capa protectora sobre todas las superficies de acero inoxidable.

9.1 COMPORTAMIENTO EN CASO DE AVERÍA O DE UN LARGO PLAZO DE INACTIVIDAD

En caso de mal funcionamiento, avería o disparo del termostato de seguridad, es preciso apagar el aparato, cortar las alimentaciones eléctrica e hídrica y avisar al servicio técnico.

Todas las operaciones de instalación, mantenimiento y reparación deben ser efectuadas exclusivamente por parte de personal cualificado y autorizado.

10.1 REMEDIOS A LAS ANOMALIAS DE COCCIÓN

Si la cocción no es uniforme:

Comprobar que el espacio entre el alimento a cocer y la fuente de encima sea de por lo menos 3 cm; valores inferiores no permiten una correcta ventilación sobre el producto a cocer. Comprobar que los alimentos a cocer no hayan sido amontonados entre ellos, impidiendo de esta manera una correcta ventilación entre los productos.

Si la comida queda seca:

Es preciso reducir el tiempo de cocción.

Es preciso reducir la temperatura de manera adecuada; al respecto cabe recordar que menor será la temperatura de cocción y menor será la pérdida de peso de las comidas.

No se ha seleccionado el ciclo mixto para contar con un entorno de cocción rico en humedad.

El alimento a cocer no ha sido previamente untado con los oportunos aceites o jugos.

INTRODUCTIE

De inhoud van deze handleiding is algemeen en het kan zijn dat niet alle beschreven functies in uw product zijn opgenomen.

De Fabrikant wijst elke aansprakelijkheid voor eventuele onjuistheden in deze brochure als gevolg van druk- of typefouten af. Wij behouden ons het recht voor om wijzigingen in onze producten door te voeren die noodzakelijk of nuttig worden geacht, zonder afbreuk te doen aan de essentiële kenmerken.

Lees aandachtig de instructies voor gebruik, met bijzondere aandacht voor de veiligheidsregels.

Dit apparaat mag alleen worden gebruikt voor de doeleinden waarvoor het expliciet is ontworpen en gefabriceerd, namelijk voor het bereiden van voedsel en voor het verwarmen van voorgekookt en/of ingevroren voedsel.

ATTENTIE! Alvorens een type verbinding van dit apparaat (elektrische of hydraulische), lees aandachtig de instructies in deze handleiding.

Deze handleiding moet zorgvuldig worden bewaard om in de toekomst door gebruikers of onderhoudstechnici te kunnen worden geraadpleegd. De installatie mag alleen door gekwalificeerd personeel worden uitgevoerd.

1.0 VERKLARING VAN CONFORMITEIT

De Fabrikant verklaart dat de apparatuur voldoet aan de EEG-eisen.

De installatie dient te worden uitgevoerd in overeenstemming met de geldende regelgeving, met name wat betreft de ventilatie van de ruimtes en systemen voor de afvoer van gassen.

N.B. De Fabrikant wijst elke vorm van aansprakelijkheid af in geval van directe schade veroorzaakt door: verkeerd gebruik, onjuiste installatie of slecht onderhoud.

1.1 EUROPESE RICHTLIJN ROHS 2012/19/UE

Dit apparaat is gemarkeerd overeenkomstig de Europese Richtlijn 2002/96/EG inzake Afgedankte Elektrische en Elektronische Apparaten (AEEA). Door dit product correct te verwijderen, draagt de gebruiker bij aan het voorkomen van mogelijke negatieve gevolgen voor het milieu en de gezondheid.



Dit symbool op het product of op de bijbehorende documentatie geeft aan dat dit product niet dient te worden behandeld als huishoudelijk afval, maar dient te worden ingeleverd bij een verzamelpunt voor het recyclen van elektrische en elektronische apparaten.

Verwijderen volgens de plaatselijke regelgeving inzake de verwerking van afval.

Voor meer informatie over de behandeling, terugwinning en recycling van dit product, kunt u contact opnemen met de desbetreffende lokale instantie, het afvalverwerkingsbedrijf of met de winkel waar het product is gekocht.

1.3 TRANSPORT VAN DE OVEN EN VERWIJDEREN VAN DE VERPAKKING

Controleer na ontvangst van de oven en vóór het installeren of de verpakking intact is en of er geen zichtbare schade is. Controleer of u naast de oven ook de documentatie ontvangt, die bestaat uit:

- Installatie-, gebruiks- en onderhoudsvoorschriften
- Tabel om te controleren of de installatie correct is uitgevoerd
- Bedradingsschema
- Label ISO 3864-1

Alvorens de oven naar het punt te brengen waar deze geïnstalleerd moet worden, dient te worden gecontroleerd of:

- de deuren breed genoeg zijn om de oven door te laten;
- de vloer het gewicht kan dragen.

afhankelijk van het model, de afmetingen en het gewicht van de oven dient aangepast materiaal gebruikt te worden voor het transport en de installatie. De stabiliteit moet gegarandeerd zijn zodat omkantelen, vallen of ongecontroleerd bewegen van het toestel of de onderdelen ervan vermeden wordt. Houd de oven in de verpakking totdat u de site bereikt waar de oven geïnstalleerd zal worden. De verpakking maakt het eenvoudiger om met de goederen om te gaan. De verpakking biedt ook een bijkomende bescherming aan de oven.

Tijdens het verplaatsen en installeren van de oven moet de installateur de ongevallenpreventievoorschriften naleven, die gelden op de plaats van installatie (gebruik van veiligheidsschoenen, handschoenen, enz.) Verwijder de verpakking en zorg er hierbij voor dat u de oven niet beschadigt. De zelfklevende folie die de roestvrij stalen oppervlakken beschermt, kan ook worden verwijderd nadat de oven op de overeenkomstige standaard of op het steunvlak is geplaatst.



LET OP: verpakkingsmaterialen en zelfklevende folie kunnen gevaarlijk zijn.

Daarom moeten deze buiten het bereik van kinderen worden gehouden en op de juiste manier, in overeenstemming met lokale richtlijnen, worden verwijderd.

Verpakkingsmaterialen (hout, karton, plastic ...) moeten worden gescheiden en apart worden verwerkt, in overeenstemming met de richtlijnen die gelden op de plaats van installatie.

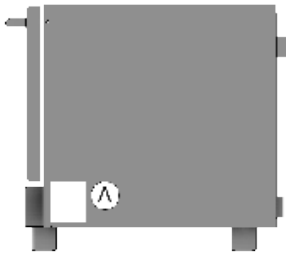
Opmerking: alvorens het apparaat te starten, moet de beschermfolie van de roestvrijstalen onderdelen handmatig worden verwijderd. Gebruik geen schurende middelen en/of metalen voorwerpen.

Verwijder lijmresten met een in oplosmiddel gedrenkte spons.

Het is veel moeilijker om de folie en de lijmresten te verwijderen, als de oven wordt verwarmd voordat de zelfklevende folie is verwijderd.

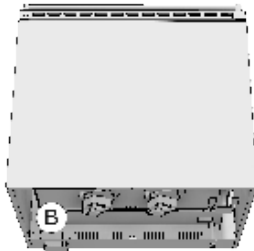
1.4 INFORMATIEVE ETIKETTEN

Op elke oven zijn enkele metalen etiketten aangebracht, die belangrijke informatie verschaffen over de kenmerken van de oven, over de elektrische en sanitaire aansluitingen en eventueel over de afvoeraansluiting.



Op het rechterpaneel bevindt zich het etiket A. Dit etiket bevat de volgende informatie:

- de naam en het adres van de fabrikant;
- het model van de oven;
- de IPX-beschermklasse tegen waterstralen;
- overeenstemming met de EG-richtlijnen;
- de stroomtoevoer en de voeding (enkel of driefasig);
- het serienummer van de oven;
- het symbool van de Europese richtlijn 2012/19/EU.



Als het achterpaneel is verwijderd, is op het ovenframe etiket B te zien.

Op dit etiket wordt het serienummer van de oven herhaald.

Op deze manier kan de klant of de installateur het serienummer van de oven ook vinden als etiket A vies of beschadigd is.

INSTALLATIE

1.5 HET PLAATSEN VAN DE OVEN

De plaats waar de oven wordt geïnstalleerd, moet aan de volgende vereisten voldoen:

- bescherming tegen weersinvloeden en voldoende luchtcirculatie;
- overeenstemming met de regelgeving met betrekking tot de veiligheid op het werk;
- een omgevingstemperatuur tussen 5°C en 35°C en een bevochtiging die niet hoger is dan 70%.

Plaats de oven en stel deze waterpas met behulp van de verstelbare poten.

Voorzie voldoende afstand achteraan zodat het label van de equipotentiale verbinding goed zichtbaar is wanneer de oven geïnstalleerd is. Dezelfde verbinding moet goed toegankelijk zijn om de equipotentiale kabel te verbinden nadat de oven geïnstalleerd is volgens onze instructies.

Installeer het apparaat in een positie die het mogelijk maakt om installatie, onderhoud en technische assistentie aan de rechterzijde uit te voeren.

1.7 ELEKTRISCHE AANSLUITING

Het geleverde apparaat dient te worden gebruikt met de spanning die vermeld staat op het typeplaatje dat aan de rechterzijde van het apparaat is aangebracht. Het apparaat dient aangesloten te zijn op een potentiaalvereffeningssysteem dat in overeenstemming dient te zijn met de geldende plaatselijke voorschriften.

De aansluiting dient te worden uitgevoerd middels de schroef die gemerkt is met het woord **EQUIPOTENTIAL** en zich in de buurt van de kabelklem bevindt.

De Fabrikant wijst elke vorm van aansprakelijkheid af als deze belangrijke veiligheidsinstructies niet in acht worden genomen.

Indien de stroomkabel beschadigd is, moet deze vervangen worden door de technische dienst of, in elk geval, door gelijkaardig gekwalificeerd personeel om elk risico te vermijden.

1.7 TABEL TECHNISCHE GEGEVENS ELEKTRISCHE AANSLUITING

Modellen	Stroomverbruik en voltage	Aantal en vermogen motoren	Verwarming svermogen	Grill svermogen	Stroomverbruik
AFO EM4	3.6 kW 220-240 V 1N ~ 50/60 Hz	2 x 55 W	2.8 kW	0.7 kW	15.6 A

De eenfasige ovens zijn uitgerust met een stroomkabel.

3.1 VERVANGING VAN RESERVEONDERDELEN

De vervanging van beschadigde onderdelen moet uitgevoerd worden door gekwalificeerd personeel.

Om de te vervangen onderdelen bij de fabrikant aan te vragen moet het model en serienummer van de oven opgegeven worden. **U kan deze informatie terugvinden op het typeplaatje dat op de oven is aangebracht.** Vooraleer onderdelen te vervangen, dient u zich er om veiligheidsredenen van te verzekeren dat de elektriciteit is uitgeschakeld en dat het water en eventueel het aan/uit-ventiel van het gas gesloten zijn.

3.2 CONTROLE VAN DE FUNCTIES

Nadat de oven geïnstalleerd is, is het nodig om een lektest van het waternetwerk uit te voeren.

De installateur moet met de daartoe geschikte meetinstrumenten nagaan dat het geluidsniveau de 70 dB niet overschrijdt.

BELANGRIJK: Voordat de gebruiker de oven inschakelt en deze gebruikt voor een kook- of reinigingscyclus, is het noodzakelijk dat de installateur of een gekwalificeerde techniker nagaat of alle verbindingen zijn uitgevoerd volgens de instructies in de handleiding.

De techniker of de installateur moet de controle daarom als volgt uitvoeren:

- De oven moet geplaatst en bevestigd worden (horizontale positie) op een steun of op een schap. De stabiliteit moet gegarandeerd zijn.
- De bekabeling moet worden aangesloten volgens de instructies en de stroomkabel mag zich niet in een positie bevinden die lager is dan aangegeven in de handleiding.
- De druk en hardheid van het water dat naar de oven stroomt, moet overeenstemmen met de waarden die worden aangegeven in deze handleiding.
- De afvoerleiding van de oven moet correct aangesloten worden en het gebruikte materiaal moet bestand zijn tegen de hoge werkingstemperaturen.

Nadat alles werd gecontroleerd, open dan het aan/uit-ventiel voor het water, eventueel het aan/uit-ventiel voor het gas en de beveiligingsschakelaar, die allemaal stroomopwaarts zijn geïnstalleerd.

De installateur moet de juiste werking van de oven controleren en de nodige instructies geven aan de gebruiker voor een correct gebruik van de oven. De installateur moet ook nagaan dat de gebruiker een exemplaar van deze handleiding ontvangen heeft.

GEBRUIK EN ONDERHOUD

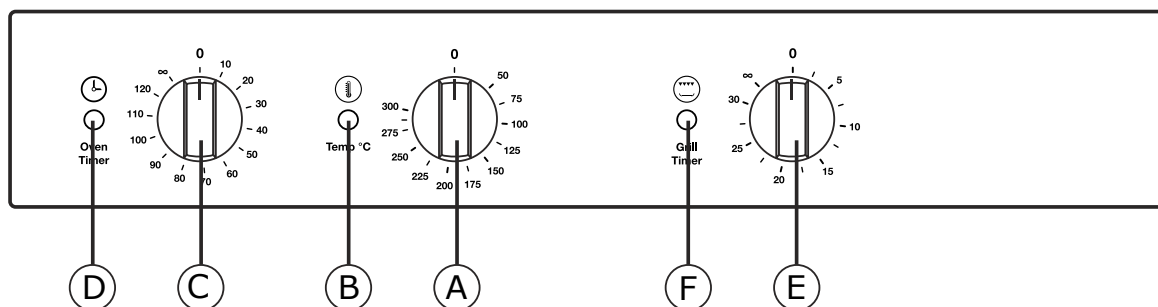
INSTRUCTIES VOOR EEN VEILIG GEBRUIK VAN DE OVEN

- Controleer dat de oven op een stabiele plaats geïnstalleerd werd en dat de stroomopwaarts geïnstalleerde beveiligingssystemen efficiënt werken.
- Gebruik steeds geschikte beschermende handschoenen om de ovenschalen in de oven te plaatsen of uit de oven te halen.
- Let ook steeds op de vloer, die door de stoom glad zou kunnen zijn.
- Werk, om brandwonden te voorkomen, nooit met ovenschalen of andere houders die te vol of tot aan de rand gevuld zijn met vloeistoffen.
- Plaats geen ovenschalen of andere keukenapparatuur op de oven.
- Controleer de oven geregeld met de technische dienst en vervang eventuele beschadigde onderdelen die een invloed kunnen hebben op de goede werking van de oven of een gevaar zouden kunnen vormen.
- Reinig de oven regelmatig volgens de instructies in deze handleiding.

MAXIMALE VOEDSEL LOAD

Capaciteit	Maximale load
4 x 460x340 - 2/3 GN	8 kg

4.0 BESCHRIJVING VAN COMPONENTEN BEDIENINGSPANEEL



- A** Thermostaat ovenruimte. Temperatuurbereik 50 - 270 °C
- B** Indicatielampje verwarming ovenruimte in werking
- C** Tijd klok. Aanpassing van 0 tot 120 minuten of ononderbroken werking.
- D** Indicatielampje tijd klok in werking
- E** Grill tijd klok
- F** Indicatielampje grill in werking

4.5 STARTEN DE OVEN

Open de wateraansluiting en de elektrische beschermingsschakelaar die op het apparaat is geïnstalleerd. Selecteer de bereidingstijd met de tijd klok (C) welke kan worden ingesteld tot een maximum van 120 min.; voor een langere tijd selecteert u de stand (∞) die onbeperkt duurt.

Nadat de tijd klok is ingesteld, met de deur dicht, start de ovenstand en zo ook de ventilatormotor, het verwarmen en het genereren van stoom, indien geselecteerd. Wanneer de ingestelde tijd voorbij is zal een signaal klinken dat het einde de bereidingstijd aangeeft en worden alle functies uitgeschakeld.

Bij het instellen van de bereidingstijd dient u altijd rekening te houden met de tijd die nodig is om de oven voor te verwarmen. Let hier goed op alvorens het te bereiden voedsel in de ovenruimte te plaatsen.

4.6 HET UITSCHAKELEN VAN DE OVEN

De oven wordt uitgeschakeld door de tijd klok knop naar de 0-stand te draaien.

9.0 ONDERHOUD

Voordat u enig onderhoud gaat uitvoeren is het noodzakelijk om de elektrische beschermingsschakelaar te ontkoppelen en de water- en gastoevoer die op het apparaat zijn geïnstalleerd te sluiten.

De oven dient aan het einde van elke werkdag te worden gereinigd, uitsluitend met de producten die hiervoor geschikt zijn. Alle externe roestvrijstalen onderdelen moeten:

- 1 - gereinigd zijn met helder zeepwater;
- 2 - gespoeld zijn met water;
- 3- grondig zijn afgedroogd.

Ermijd ten alle tijde het gebruik van schrapers, staalwol en materialen van gewoon staal, aangezien ze de oppervlakken kunnen schuren en ijzerdeeltjes kunnen achterlaten die door oxidatie roestvorming tot gevolg kunnen hebben.

REINIG HET APPARAAT NIET MET OVERVLOEDIG WATER.

GEBRUIK VOOR HET REINIGEN VAN HET ROESTVRIJ STAAL GEEN REINIGINGSMIDDELEN OP BASIS VAN CHLOOR (BLEEKMIDDEL, ZOUTZUUR), ZELFS NIET ALS DEZE VERDUND ZIJN IN WATER.

Na afloop van elk kookproces moet de ovenruimte worden ontdaan van voedselresten en vet.

Gebruik voor het schoonmaken van de oven een ontvettingsproduct dat geschikt is voor het reinigen van roestvrij staal, zoals spray, waarmee u alle punten van het apparaat en met name de achterkant van de aanzuigband kunt bedekken.

De ventilator dient voortdurend schoon te worden gehouden om te voorkomen dat vetresten zich ophopen op de ventilatorbladen waardoor de motor langzamer gaat draaien, de luchtstroom vermindert, en de motor gevaarlijk wordt belast.

Als het apparaat lange tijd niet wordt gebruikt, dient u het volgende te doen:

1. Ontkoppel de elektrische beschermingsschakelaar;
2. Sluit de water- en gastoevoer (die beide op het apparaat zijn geïnstalleerd);
3. Laat de ovendeur op een kier staan voor een goede luchtcirculatie en om onaangename geuren te voorkomen;
4. Breng met een doek die licht bevochtigd is met minerale olie, een beschermend laagje aan op alle roestvrijstalen oppervlakken.

9.1 HANDELEN IN GEVAL VAN STORINGEN OF INDIEN HET APPARAAT LANGDURIG NIET IN GEBRUIK IS

Indien de veiligheidsthermostaat niet goed werkt, defect is of een storing meldt, dient u het apparaat uit te schakelen, de water- en elektriciteitsaansluiting te ontkoppelen, en contact op te nemen met de technische dienst.

Alle installatie, onderhouds en reparatiewerkzaamheden mogen alleen door erkend en bekwaam personeel te worden verricht.

10.1 OPLOSSINGEN VOOR PROBLEMEN BIJ HET BEREIDEN

Als het eten niet gelijkmatig is bereid

Controleer of de ruimte tussen het te bereiden voedsel en de plaat erboven minstens 3 cm is. Indien dit minder is, is een goede ventilatie van het te bereiden product niet mogelijk.

Controleer of de te bereiden producten niet te dicht op elkaar liggen waardoor een goede ventilatie tussen de producten niet mogelijk is. De baktemperatuur kan te hoog zijn; probeer dan lagere waarden. Als het te bereiden product geen direct contact met de hete lucht verdraagt, dient het in gastronom bakplaten te worden geplaatst die diep genoeg zijn.

Als het eten droog is geworden: Verkort dan de baktijd.

De temperatuur dient lager te worden gezet; we herinneren u eraan dat hoe lager de baktemperatuur, hoe minder het voedsel aan gewicht verliest. U heeft niet gekozen voor de combistand waarmee een omgeving met een hoge luchtvochtigheidsgraad wordt gecreëerd.

Het te bereiden voedsel is niet vooraf ingewreven met de juiste oliën of sauzen.

Whirlpool

Whirlpool S.p.A.
Via Carlo Pisacane, 1
20016 Pero (MI) - Italy
Tel: +39 02 837151