



### DESCRIPTION



Capacity: 4 x 460x340 mm



Trays insertion: Cross wise



Dimensions: 585 x 655 x H 570 mm



Control panel: Analogic



Indicative quantity of meals: --



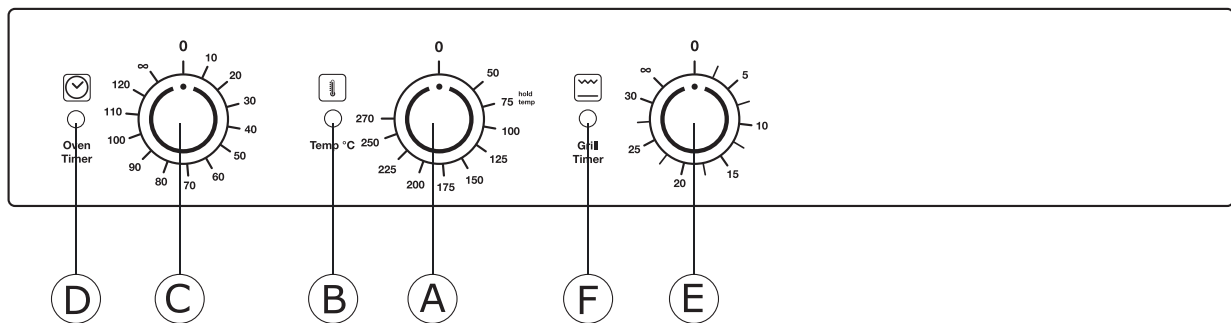
Cooking chamber heating: Electric

Steam generation: --

### COOKING MODES AND FUNCTIONING

	<b>Convection mode</b>	Temperature range between 50 °C and 270 °C
	<b>Salamander</b>	Electric grill with timer

### CONTROL PANEL COMPONENT DESCRIPTION



<b>A</b>	Cooking chamber thermostat	<b>D</b>	Timer ON pilot light
<b>B</b>	Heating cooking chamber ON pilot light	<b>E</b>	Grill timer
<b>C</b>	Timer	<b>F</b>	Grill timer ON pilot light

**MANUFACTURING FEATURES**

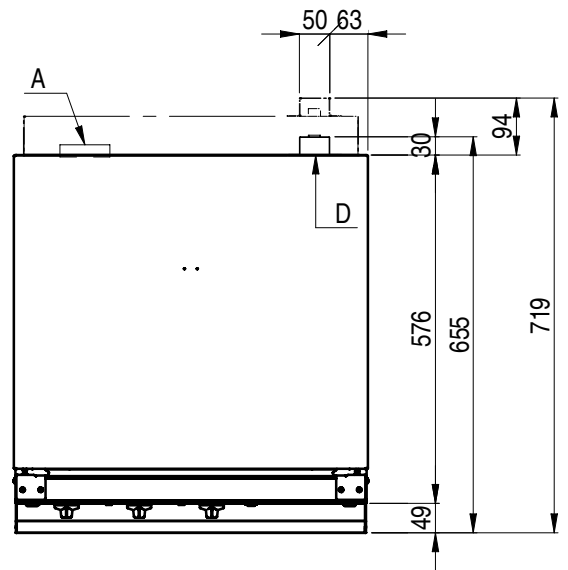
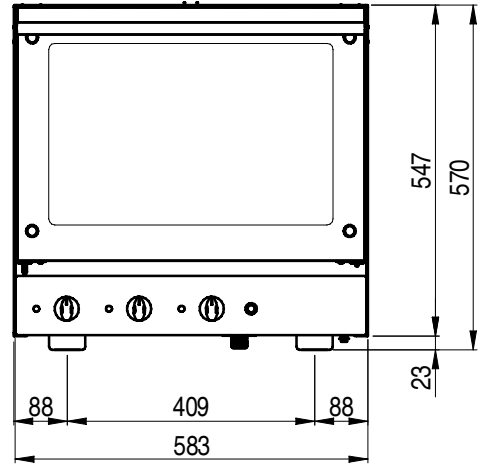
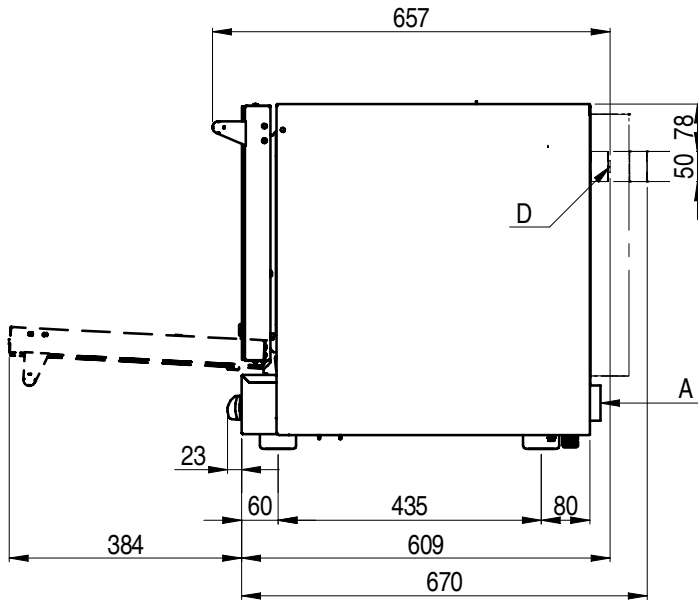
- Heating system located on the back side of the cooking chamber;
- Waterproof cooking chamber in stainless steel AISI 430;
- External covering panels made of satin stainless steel AISI 430;
- Base chassis made of stainless steel AISI 430;
- Heating elements made of stainless steel Incoloy 800;
- Thermal insulation of the cooking chamber in ceramics fibre;
- Cooking chamber fans made of stainless steel;

**DIMENSIONS**

	<b>OVEN</b>	<b>PACKAGE</b>
<b>Width</b>	585 mm	620 mm
<b>Depth (with door handle)</b>	655 mm	690 mm
<b>Height</b>	570 mm	760 mm
<b>Weight/Volume</b>		41 kg / 0.33 m <sup>3</sup>

**POWER SUPPLY**

<b>Model</b>	<b>AFO EM4</b>
<b>Power loading</b>	3.6 kW
<b>Chamber power</b>	2.8 kW
<b>Grill power</b>	0.7 kW
<b>Power of the motors</b>	n° 2 x 55 W
<b>Max. power loading</b>	3.6 kW
<b>Voltage</b>	220-240 V N1 ~ 50/60 Hz
<b>Absorbed current</b>	5.8 A
<b>Feed cable section</b>	Electric cable included
<b>Capacity</b>	4 x 460x340 mm
<b>Pitch between trays</b>	70 mm



- A Electrical cables connection
- D Cooking chamber release valve