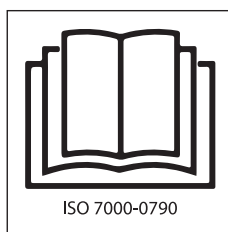


EN	CONVECTION OVENS - INSTRUCTIONS FOR THE INSTALLATION TRANSLATION OF THE ORIGINAL INSTRUCTIONS IN ITALIAN LANGUAGE
IT	FORNI A CONVEZIONE - ISTRUZIONI PER L'INSTALLAZIONE
DE	HEISSLUFTÖFEN - ANLEITUNGEN FÜR DEN INSTALLATEUR ÜBERSETZUNG DER URSPRÜNGLICHEN ANWEISUNGEN IN ITALIENISCHER SPRACHE
FR	FOURS À AIR PULSE' - INSTRUCTIONS POUR L'INSTALLATION TRADUCTION DES INSTRUCTIONS ORIGINALES EN LANGUE ITALIENNE
ES	HORNOS A CONVECCIÓN - INSTRUCCIONES PARA LA INSTALACIÓN TRADUCCIÓN DE LAS INSTRUCCIONES ORIGINALES EN LENGUA ITALIANA
NL	CONVECTIEOVENS - INSTRUCTIES VOOR DE INSTALLATIE VERTALING VAN DE ORIGINELE ITALIAANSE GEBRUIKSAANWIJZING



4-5 trays
4-5 teglie
4-5 Bleche
4-5 bacs
4-5 bandejas
4-5 trays

AFO ED4 DS	

AFO ET4 DS	

6-7 trays
6-7 teglie
6-7 Bleche
6-7 bacs
6-7 bandejas
6-7 trays

AFO ED6 DS	AFO GD6 DS

AFO ET6 DS	

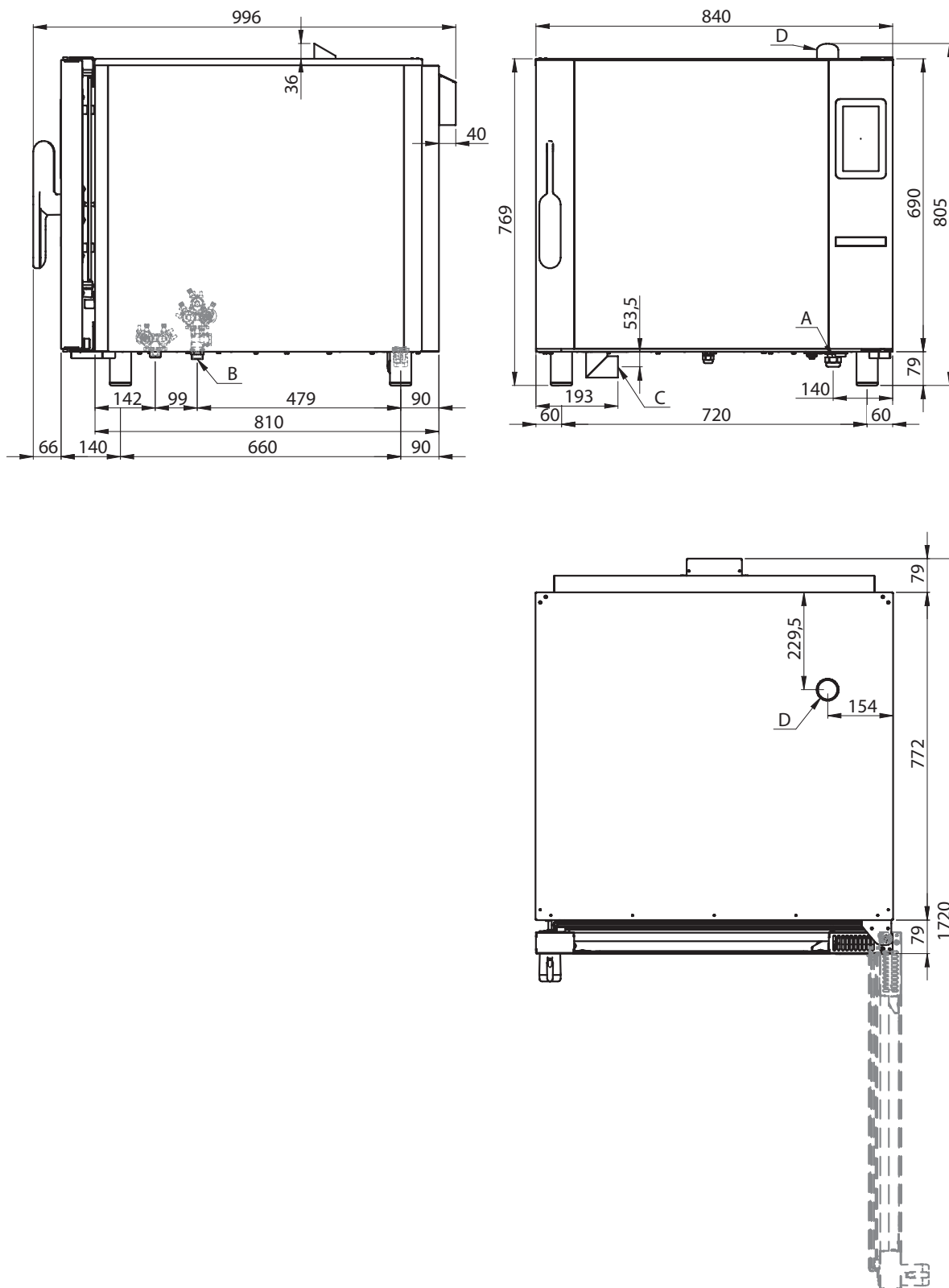
10-12 trays
10-12 teglie
10-12 Bleche
10-12 bacs
10-12 bandejas
10-12 trays

AFO ED10 DS	

AFO ET10 DS	

	EN INDEX	IT INDICE	DE INHALT
	Dimensions	Dimensioni	Abmessungen
	Foreword	Premessa	Vorwort
1.0	Declaration of Conformity	Dichiarazione di conformità	Konformitätserklärung
1.1	European Directive ROHS 2012/19/UE	Direttiva Europea ROHS 2012/19/UE	Europäische Richtlinie ROHS 2012/19/UE
1.3	Transport of the oven and packaging removal	Trasporto del forno e rimozione degli imballi	Transport des Ofens und Entfernung der Verpackung
1.4	Informative labels	Targhette informative	Informationsetiketten
	INSTALLATION	INSTALLAZIONE	INSTALLATION
1.5	Oven positioning	Posizionamento del forno	Positionierung des Ofens
1.6	Electrical connection	Collegamento elettrico	Elektroanschluss
1.7	Technical data for electrical connection	Tabella dati tecnici allacciamento elettrico	Tabelle technische Daten Elektroanschluß
1.8	Technical data for gas connection	Tabella dati tecnici allacciamento gas	Tabelle technische Daten für Gasanschluss
1.9	Connecting to the gas mains	Collegamento alla rete del gas	Anschluss an die Gasleitung
2.0	Checking for gas leaks	Controllo perdite di gas	Kontrolle Gasleckstellen
2.1	Transformation for different gas types	Trasformazione ai vari tipi di gas	Umstellung auf verschiedene Gasarten für Garraum
2.2	Connecting to the flue	Collegamento al camino	Anschluss an den Kamin
2.3	Water features	Caratteristiche dell'acqua	Wassermerkmale
2.4	Technical data table water connection	Tabella dati tecnici impianto acqua	Tabelle technische Daten für die Wasserleitung
2.5	Hydraulic connection water inlet	Collegamento idraulico entrata acqua	Anschluss ans Wassernetz Wasserzufuhr
2.6	Plumbing – water drainage	Collegamento idraulico scarico acqua	Anschluss an das wassernetz wasserablauf
2.9	Reversal of door opening	Inversione del senso di apertura della porta	Umkehren der türöffnungsrichtung
3.0	Control and safety devices	Automatismi di controllo e sicurezza	Kontrolle und sicherheits automatismen
3.1	Spare parts replacing	Sostituzione parti di ricambio	Austausch der ersatzteile
3.2	Checking the functions	Controllo delle funzioni	Kontrolle der funktionen

	FR INDEX	ES INDICE	NL INHOUDSOPGAVE
	Dimensions	Dimensiones	Afmetingen
	Avant-propos	Premisa	Introductie
1.0	Déclaration de conformité	Declaración de conformidad	Verklaring van conformiteit
1.1	Directive européenne ROHS 2012/19/UE	Directiva Europea ROHS 2012/19/UE	Europese Richtlijn ROHS 2012/19/UE
1.3	Transport du four et élimination de l'emballage	Transporte del horno y remoción de los embalajes	Transport van de oven en verwijderen van de verpakking
1.4	Étiquettes informatives	Tarjetas informativas	Informatieve etiketten
	INSTALLATION	INSTALACIÓN	INSTALLATIE
1.5	Positionnement du four	Posicionamiento del horno	Het plaatsen van de oven
1.6	Raccordement électrique	Conexión eléctrica	Elektrische aansluiting
1.7	Tableau des données techniques raccordement électrique	Tabla datos técnicos de conexión eléctrica	Tabel technische gegevens - elektrische aansluiting
1.8	Tableau des données techniques branchement gaz	Tabla datos técnicos de conexión gas	Technische gegevens voor gasaansluiting
1.9	Raccordement à l'installation gaz	Conexión a la red del gas	Aansluiten op het gasnet
2.0	Contrôle de fuite de gaz	Control fugas de gas	Controleren op gaslekken
2.1	Adaptations aux divers types gaz pour la chambre de cuisson	Transformación para los distintos tipos de gas	Omzetten naar een andere gassoort
2.2	Raccordement au conduit de cheminée	Conexión con la chimenea	Aansluiten op het rookkanaal
2.3	Caractéristiques de l'eau	Características del agua	Water functies
2.4	Données techniques réseau d'eau	Datos técnicos instalación agua	Tabel van de technische gegevens wateraansluiting
2.5	Raccordement hydraulique arrivée d'eau	Conexión hídrica entrada del agua	Wateraansluiting - waterinlaat
2.6	Raccordement hydraulique vidange d'eau	Conexión hídrica - desagüe	Wateraansluiting - waterafvoer
2.9	Inversion du sens d'ouverture de la porte	Inversión del sentido de apertura de la puerta	Omkeren van de deuropening
3.0	Organes de contrôle et de sécurité	Automatismos de control de seguridad	Automatische veiligheidscontroles
3.1	Remplacement des pièces	Piezas de recambio	Vervanging reserveonderdelen
3.2	Contrôle des fonctions	Control de las funciones	Controle van de functies

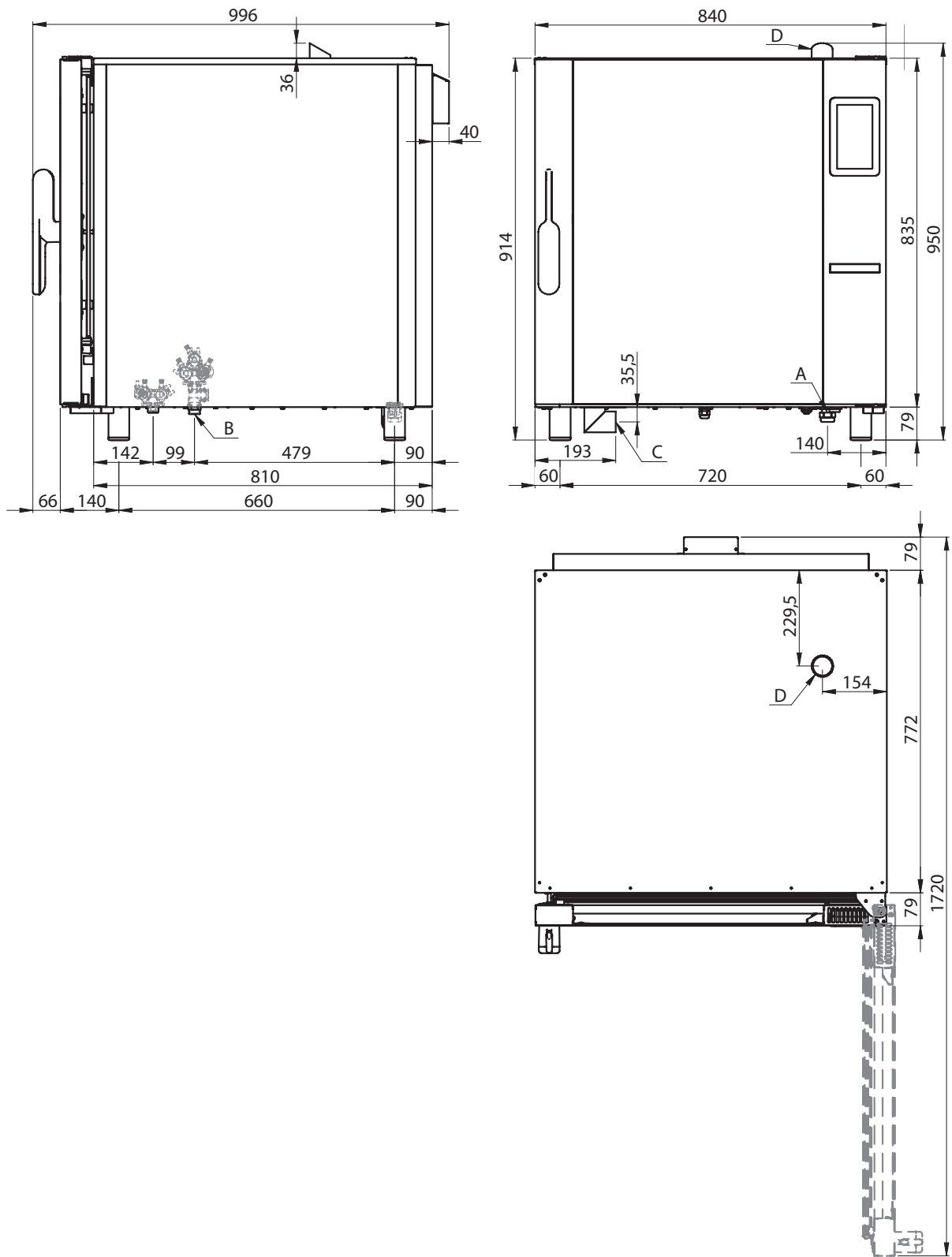


4/5 x 1/1 GN - 60x40 E

Dimensioni	Capacità	Distanza teglie	Peso a vuoto
Dimensions	Capacity	Trays distance	Empty weight
Abmessungen	Kapazität	Einschubabstand	Leergewicht
Dimensions	Capacité	Ecartement grilles	Poids à vide
Dimensiones	Capacidad	Distancia bandejas	Peso en vacío
Afmetingen	Capaciteit	Afstand dienbladen	Leeggewicht
mm 840 x 996 x h 805	4 x 1/1 GN - 60x40 5 x 1/1 GN - 60x40	80 mm 67 mm	kg

4/5 x 1/1 GN - 60x40 G

Dimensioni	Capacità	Distanza teglie	Peso a vuoto
Dimensions	Capacity	Trays distance	Empty weight
Abmessungen	Kapazität	Einschubabstand	Leergewicht
Dimensions	Capacité	Ecartement grilles	Poids à vide
Dimensiones	Capacidad	Distancia bandejas	Peso en vacío
Afmetingen	Capaciteit	Afstand dienbladen	Leeggewicht
	4 x 1/1 GN - 60x40 5 x 1/1 GN - 60x40	80 mm 67 mm	kg

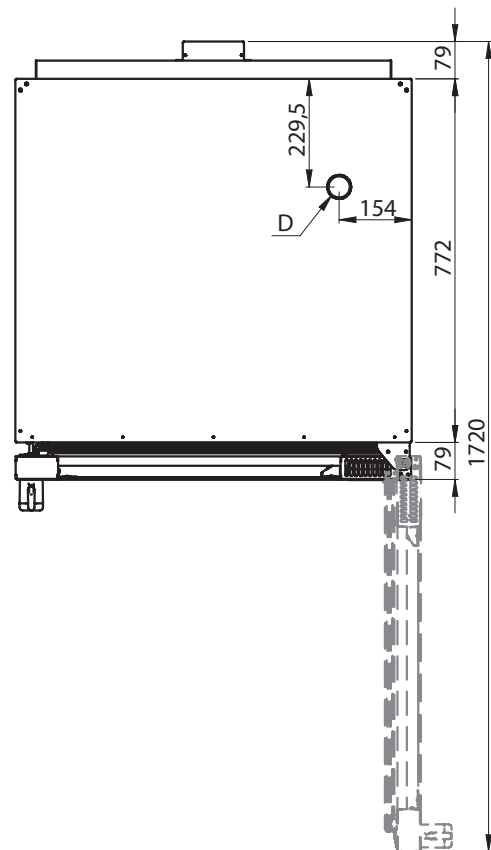
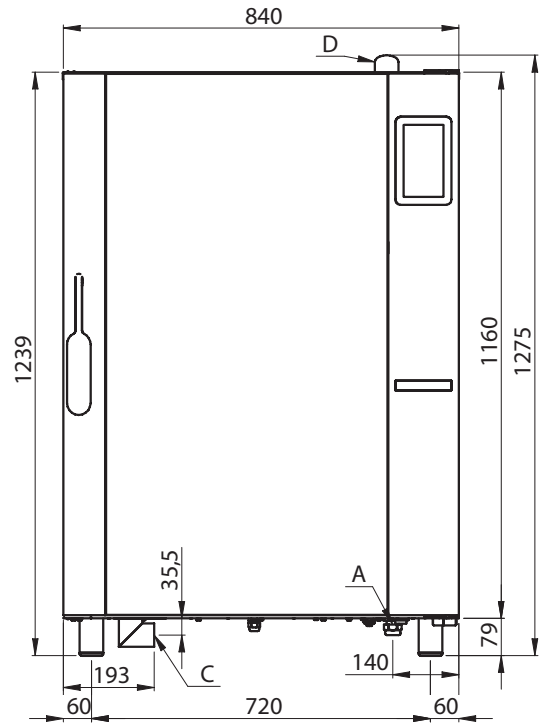
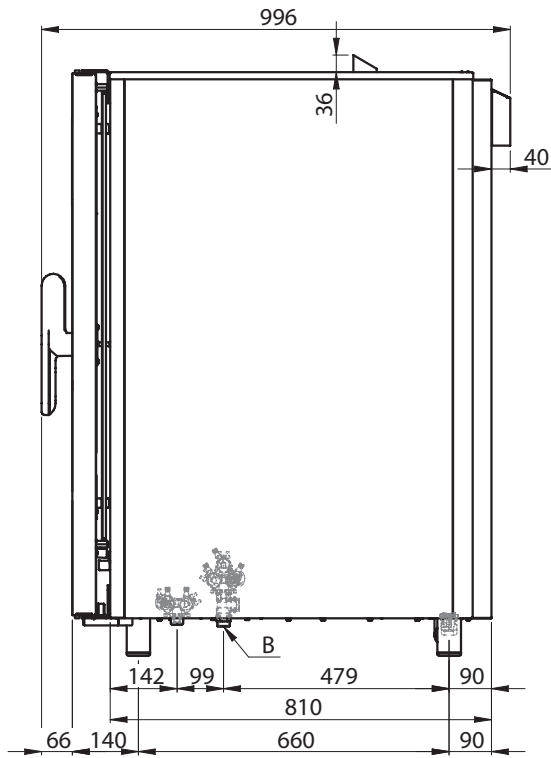


6/7 x 1/1 GN - 60x40 E

Dimensioni	Capacità	Distanza teglie	Peso a vuoto
Dimensions	Capacity	Trays distance	Empty weight
Abmessungen	Kapazität	Einschubabstand	Leergewicht
Dimensions	Capacité	Ecartement grilles	Poids à vide
Dimensiones	Capacidad	Distancia bandejas	Peso en vacío
Afmetingen	Capaciteit	Afstand dienbladen	Leeggewicht
mm 840 x 996 x h 950	6 x 1/1 GN - 60x40 7 x 1/1 GN - 60x40	80 mm 67 mm	kg

6/7 x 1/1 GN - 60x40 G

Dimensioni	Capacità	Distanza teglie	Peso a vuoto
Dimensions	Capacity	Trays distance	Empty weight
Abmessungen	Kapazität	Einschubabstand	Leergewicht
Dimensions	Capacité	Ecartement grilles	Poids à vide
Dimensiones	Capacidad	Distancia bandejas	Peso en vacío
Afmetingen	Capaciteit	Afstand dienbladen	Leeggewicht
	6 x 1/1 GN - 60x40 7 x 1/1 GN - 60x40	80 mm 67 mm	kg



10/12 x 1/1 GN - 60x40 E

Dimensioni	Capacità	Distanza teglie	Peso a vuoto
Dimensions	Capacity	Trays distance	Empty weight
Abmessungen	Kapazität	Einschubabstand	Leergewicht
Dimensions	Capacité	Ecartement grilles	Poids à vide
Dimensiones	Capacidad	Distancia bandejas	Peso en vacío
Afmetingen	Capaciteit	Afstand dienbladen	Leeggewicht
mm 840 x 996 x h 1275	10 x 1/1 GN - 60x40 12 x 1/1 GN - 60x40	80 mm 67 mm	kg

10/12 x 1/1 GN - 60x40 G

Dimensioni	Capacità	Distanza teglie	Peso a vuoto
Dimensions	Capacity	Trays distance	Empty weight
Abmessungen	Kapazität	Einschubabstand	Leergewicht
Dimensions	Capacité	Ecartement grilles	Poids à vide
Dimensiones	Capacidad	Distancia bandejas	Peso en vacío
Afmetingen	Capaciteit	Afstand dienbladen	Leeggewicht
	10 x 1/1 GN - 60x40 12 x 1/1 GN - 60x40	80 mm 67 mm	kg

FOREWORD

The contents of this manual are generic and not all the functions described may be available on your product.

The manufacturer declines all responsibility for possible inaccuracies contained in this pamphlet, due to printing or copy errors. We reserve the right to make on our own products those changes to be considered necessary or useful, without jeopardizing the essential characteristics. Read the instructions for use very carefully paying particular attention to the rules concerning safety devices. This appliance must only be used for what it has been designed for and built for and that is: all baking of dishes and regenerating pre-cooked and/or frozen food.

INSTRUCTIONS FOR USE AND MAINTENANCE

- indicate that this appliance is only for professional use and that it shall be used by qualified people;
- note that those parts which have been protected by the manufacturer or his agent shall not be adjusted by the user.

WARNING!

Before making any type of connection of this equipment (electrical or hydraulic), carefully read the instructions in this manual. This manual must be carefully kept to be available for future reference by users or service technicians. Installation must be carried out by d qualified personnel only.

1.0 DECLARATION OF CONFORMITY

The Manufacturer declares that the appliances conform to the EEC norms.

They must be installed in accordance with current standards, especially regarding aeration of the premises and the exhaust gas evacuation system.

Note: The Manufacturer declines all and every responsibility for any direct damages caused by: an incorrect use, wrong installation or bad maintenance.

1.1 EUROPEAN DIRECTIVE ROHS 2012/19/UE

This appliance is marked according to the European directive 2012/19/UE on Waste Electrical and Electronic Equipment (WEEE). By ensuring this product is disposed correctly, you will help prevent potential negative consequences for the environment and human health, which could otherwise be caused by inappropriate waste handling of this product.



The symbol on the product, or on the documents accompanying the product, indicates that this appliance may not be treated as household waste.

Instead it shall be handed over to the applicable collection point for the recycling of electrical and electronic equipment.

Disposal must be carried out in accordance with local environmental regulations for waste disposal.

1.3 TRANSPORT OF THE OVEN AND PACKAGING REMOVAL

Upon receipt of the oven and before installing it, check the packaging is intact and there are not visible damages. Also check that along with the oven you receive also the documentation, consisting of:

- Instructions for installation, use and maintenance
- Chart to check correct installation
- Wiring diagram
- Label ISO 3864-1

Before bringing the oven to the point, where it must be installed, check the following:

The doors are large enough to allow passage of the oven

The floor supports the weight.

According to the model of oven, its dimensions and its weight, use suitable facilities to handle goods during transport and installation, able to guarantee stability in order to avoid overturning, falls or uncontrolled movements of the appliance or its components.

Keep the oven packed until you reach the site where the oven is going to be installed.

The packaging makes the handling of goods easier and protects the oven from accidental push.

During moving and installation of the oven, the installer must comply with accident-prevention regulations in force at the place of installation (use of safety shoes, gloves, etc.) Remove the packaging taking care not to damage the oven. The adhesive film, that protects the surfaces made of stainless steel can be removed also after you have positioned the oven on the corresponding stand or the support surface.



ATTENTION: Packaging materials and adhesive film are potentially dangerous.

For this reason, they must be kept out of the reach of children and properly disposed of in compliance with local directives.

You should separate packaging materials (wood, cardboard, plastic...) and dispose of them separately, in compliance with directives in force at installation site.

Note: Take the protective film off the stainless steel parts by hand before starting the appliance.

Do not use abrasive substances and/or metal objects. Clear any adhesive residues using a sponge soaked in solvent. If the oven is heated up before removing the adhesive film, the removal of the film and cleaning of residues of glue will be much more difficult.

INSTRUCTIONS FOR INSTALLATION AND ADJUSTMENT

The method of connection in force in the country in which the appliance is to be installed;

For type A appliances, the instructions shall state that these appliances are to be installed with sufficient ventilation to prevent the occurrence of unacceptable concentrations of substances harmful to health in the room in which they are installed;

The instructions include, where appropriate, an electrical wiring diagram of the appliance and reference to the flue socket outlet.

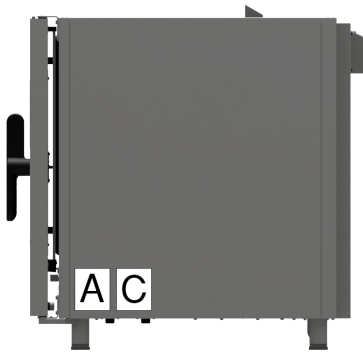
The instructions also mention the need to install the appliance in a suitably ventilated room.

The instructions also state the flow of air required for combustion, mentioning the need to install the appliance in a suitably ventilated room in accordance with the regulations in force.

(2 m³/h for each kW installed for combustion purposes, 34 m³/h for each kW installed for the welfare of the users).

1.4 INFORMATIVE LABELS

On each oven there are applied some metal labels, that give important info concerning characteristics of the oven, electric and plumbing connections and eventually the drain connection.



On the right hand side panel there is the label A.

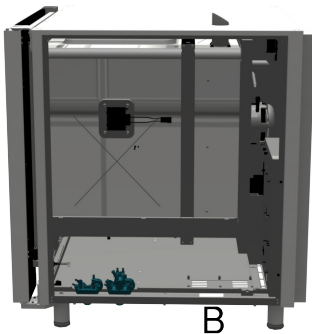
The info contained on this label are:

- Name and address of the manufacturer
- Oven model
- IPX protection grade against water jet.
- Conformity to EC directives.
- Power input and power supply (single or three phase).
- Serial number of the oven
- Symbol of European Directive 2012/19/UE

Near the connector for water connection there is the label C.

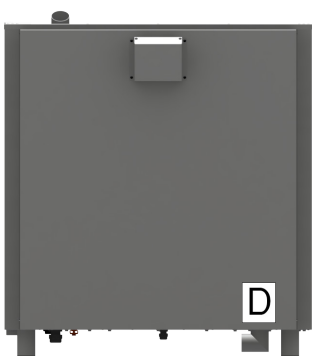
Label C indicates water features necessary for a correct functioning of the oven. Same features are listed at paragraph 2.4 of this manual.

Removing the right side panel, on the oven chassis you find label B.



On this label the serial number of the oven is repeated.

In this way, the customer or the installer can find the serial number of the oven also when the label A is dirty or damaged.



Close to the drain there is the label D, containing info concerning drain connection.

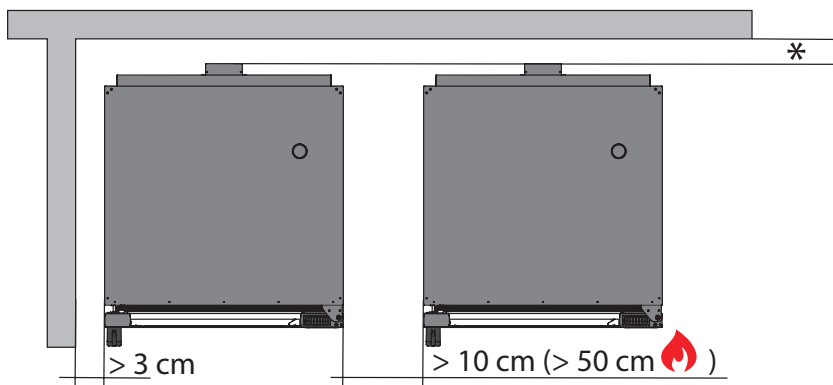
INSTALLATION

1.5 POSITIONING OF THE OVEN

The place where the oven will be installed must comply the following requirements:

- Be protected from atmospheric agents and have an adequate air circulation;
- Comply with regulations concerning safety at work;
- Have a room temperature between 5 °C and 35 °C with a humidification not higher than 70%.
- Place the oven and proceed with leveling using adjustable feet.

*Keep a suitable distance at the back, in order the label of equipotential clamp is easy to see when the oven has been installed.



The same clamp must be easy to access to install equipotential cable after the oven has been installed in compliance with our instructions. Install the appliance in a position that allows access to the right side for installation, maintenance and technical assistance. Maintain the minimum distances between the oven walls, (rear and right side) and either the brick walls or the other appliances.

VERY IMPORTANT: the oven must lay on a fireproof surface. If it is not so, place a sheet of stainless steel or other fireproof material between the oven and the support surface.

1.6 ELECTRICAL CONNECTION

When the appliance is delivered it is set to work at the voltage given on the rating plate affixed on the right side of the appliance.

The effectiveness of the equipotential system of which the appliance is part of, must conform to current standards.

Connect using the screw you find in the back side of the oven, marked with the word **EQUIPOTENTIAL**.

The Manufacturer declines all and every responsibility if this important accident prevention norm is not complied with. If the feeding cable is damaged, it must be replaced by the technical service or in any case by similar qualified personnel, in order to avoid any risk.



1.7 TECHNICAL DATA FOR ELECTRICAL CONNECTION

Model	Power loading and voltage	no. and motor power	Heating power	Absorbed current	Feed cable section
4 x 1/1 GN- 60x40 Electric	7.5 kW 380 - 415 V 3N~ 50 Hz Analog	1 x 240 W	7.2 kW	11.5 A	5 x 2.5 mm ²
5 x 1/1 GN- 60x40 Electric	50/60 Hz Touch				
6 x 1/1 GN- 60x40 Electric	10.9 kW 380 - 415 V 3N~ 50 Hz Analog	1 x 240 W	10.6 kW	17.0 A	5 x 4.0 mm ²
7 x 1/1 GN- 60x40 Electric	50/60 Hz Touch				
10 x 1/1 GN- 60x40 Electric	18.4 kW 380 - 415 V 3N~ 50 Hz Analog	2 x 240 W	17.8 kW	28.0 A	5 x 6.0 mm ²
12 x 1/1 GN- 60x40 Electric	50/60 Hz Touch				
4 x 1/1 GN- 60x40 Gas	0.3 kW 220 - 240 V 1N~ 50 Hz Analog	1 x 240 W	--	1.2 A	3 x 1.5 mm ²
5 x 1/1 GN- 60x40 Gas	50 Hz Touch				
6 x 1/1 GN- 60x40 Gas	0.3 kW 220 - 240 V 1N~ 50 Hz Analog	1 x 240 W	--	1.2 A	3 x 1.5 mm ²
7 x 1/1 GN- 60x40 Gas	50 Hz Touch				
10 x 1/1 GN- 60x40 Gas	0.6 kW 220 - 240 V 1N~ 50 Hz Analog	2 x 240 W	--	2.4 A	3 x 1.5 mm ²
12 x 1/1 GN- 60x40 Gas	50 Hz Touch				

1.8 GAS TECHNICAL DATA

OVEN	4 x 1/1 GN - 600x400 5 x 1/1 GN - 600x400													
NOMINAL POWER (kW)	10.5	10.5	10.5	10.5	10.5	10.5	10.5	10.5	10.5	10.5	10.5	10.5	10.5	10.5
GAS CATEGORY	2H	2E	2E+	2K	2L	2LL	2H	2S	2LW	2LS	3+	3B/P	3B/P	3B/P
GAS TYPE	G20	G20	G20 G25	G25.3	G25	G25	G20	G25.1	G2.350	G27	G30 G31	G30 G31	G30 G31	G30 G31
PA (MBAR) GAS PRESSURE	20	20	20 25	25.0	20	20	25	25	13	20	28...30 37	30	37	50
UM (MAX. NOZZLE)	215	215	170R	215.0	215	215	215	215		215	120	120	110	120
PRESSURE REGULATION:	9.0	9.0	--	13.0	13.5	13.5	9.0	14.5		15.0	--	--	--	28
CONSUMPTION (M ³ /H)	1.111	1.111	1.111	1.263	1.292	1.292	1.111	1.290		1.355				
CONSUMPTION (Kg/H)											0.828	0.828	0.828	0.828
CONSUMPTION	AT	X												X
	BE			X							X			
	BG	X										X		
	CH	X									X			X
	CY	X									X	X		
	CZ	X									X			
	DE		X				X							X
	DK	X											X	
	EE	X											X	
	ES	X										X		
	FI	X											X	
	FR			X								X		
	GB	X										X		
	GR	X										X	X	
	HU							X	X				X	
	IE	X										X		
	IS												X	
	IT	X										X		
	LT	X										X	X	
	LU	X	X										X	
	LV	X											X	
	MT												X	
	NL		X		X								X	
	NO	X											X	
	PL		X								X			X
	PT	X										X		
	RO		X										X	
	SE	X											X	
	SI	X										X	X	
	SK	X										X	X	X
AL	X										X	X		
HR	X											X		
MK	X										X	X		
TR	X										X	X		

OVEN	6 x 1/1 GN - 600x400 7 x 1/1 GN - 600x400													
NOMINAL POWER (kW)	14.5	14.5	14.5	14.5	14.5	14.5	14.5	14.5	14.5	14.5	14.5	14.5	14.5	14.5
GAS CATEGORY	2H	2E	2E+	2K	2L	2LL	2H	2S	2LW	2LS	3+	3B/P	3B/P	3B/P
GAS TYPE	G20	G20	G20 G25	G25.3	G25	G25	G20	G25.1	G2.350	G27	G30 G31	G30 G31	G30 G31	G30 G31
PA (MBAR) GAS PRESSURE	20	20	20 25	25.0	20	20	25	25	13	20	28...30 37	30	37	50
UM (MAX. NOZZLE)	245	245	200	245.0	245	245	245	245		245	140	140	130	140
PRESSURE REGULATION:	9.0	9.0	--	13.0	13.5	13.5	9.0	15.0		15.0	--	--	--	27
CONSUMPTION (M ³ /H)	1.534	1.534	1.534	1.745	1.745	1.745	1.534	1.782		1.872				
CONSUMPTION (Kg/H)											1.143	1.143	1.143	1.143
CONSUMPTION	AT	X												X
	BE			X							X			
	BG	X										X		
	CH	X									X			X
	CY	X									X	X		
	CZ	X									X			
	DE		X				X							X
	DK	X											X	
	EE	X											X	
	ES	X										X		
	FI	X											X	
	FR			X								X		
	GB	X										X		
	GR	X										X	X	
	HU							X	X				X	
	IE	X										X		
	IS												X	
	IT	X										X		
	LT	X										X	X	
	LU	X	X										X	
	LV	X											X	
	MT												X	
	NL		X		X								X	
	NO	X											X	
	PL		X								X			X
	PT	X										X		
	RO		X										X	
	SE	X											X	
	SI	X										X	X	
	SK	X										X	X	X
AL	X										X	X		
HR	X											X		
MK	X										X	X		
TR	X										X	X		

OVEN	10 x 1/1 GN - 600x400 12 x 1/1 GN - 600x400													
NOMINAL POWER (kW)	20.5	20.5	20.5	20.5	20.5	20.5	20.5	20.5	20.5	20.5	20.5	20.5	20.5	20.5
GAS CATEGORY	2H	2E	2E+	2K	2L	2LL	2H	2S	2LW	2LS	3+	3B/P	3B/P	3B/P
GAS TYPE	G20	G20	G20 G25	G25.3	G25	G25	G20	G25.1	G2.350	G27	G30 G31	G30 G31	G30 G31	G30 G31
PA (MBAR) GAS PRESSURE	20	20	20 25	25.0	20	20	25	25	13	20	28...30 37	30	37	50
UM (MAX. NOZZLE)	280	280	240	280.0	280	280	280	280		280	140	140	130	140
PRESSURE REGULATION:	10.0	10.0	--	14.5	14.5	14.5	10.0	16.0		16.0	--	--	--	28
CONSUMPTION (M ³ /H)	2.169	2.169	2.169	2.467	2.523	1.292	2.169	2.519		2.646				
CONSUMPTION (Kg/H)											1.617	1.617	1.617	1.617
CONSUMPTION	AT	X												X
	BE			X							X			
	BG	X										X		
	CH	X									X			X
	CY	X									X	X		
	CZ	X									X			
	DE		X				X							X
	DK	X											X	
	EE	X											X	
	ES	X										X		
	FI	X											X	
	FR			X								X		
	GB	X										X		
	GR	X										X	X	
	HU							X	X				X	
	IE	X										X		
	IS												X	
	IT	X										X		
	LT	X										X	X	
	LU	X	X										X	
	LV	X											X	
	MT												X	
	NL		X		X								X	
	NO	X											X	
	PL		X								X			X
	PT	X										X		
	RO		X										X	
	SE	X											X	
	SI	X										X	X	
	SK	X										X	X	X
AL	X										X	X		
HR	X											X		
MK	X										X	X		
TR	X										X	X		

1.9 CONNECTING TO THE GAS MAINS

Connect the oven to connection (A) using metal pipes rigid type, either in galvanised steel or copper, situated where they can be seen.

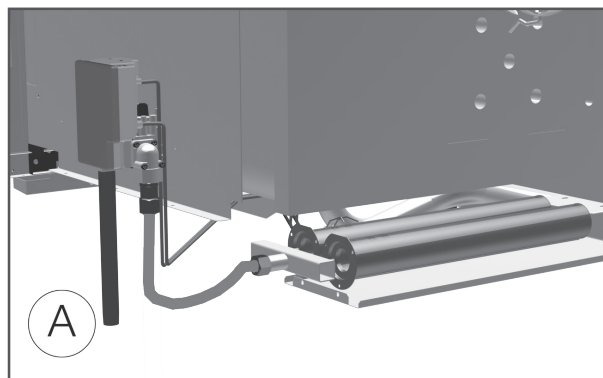
Never use hoses to connect the oven to the gas main.

The appliance must be connected to an on-off mains valve that is easy to operate.

Use a 3-piece metal joint for connection between the pipe and oven to facilitate removal.

Guarantee the seal of the joint threads using materials declared, by their manufacturers, as being specifically suitable also for LPG.

The appliance must be supplied with a suitable type of gas (chapter 1.4). It is set for use with the type of gas indicated on the "rating" plate.



2.0 CHECKING FOR GAS LEAKS

Once the oven has been installed check there is no gas leaking into the room. This can be done by brushing joints and fittings with soapy water.

Bubbles prove there is a gas leak.

2.1 TRANSFORMATION FOR DIFFERENT GAS TYPES

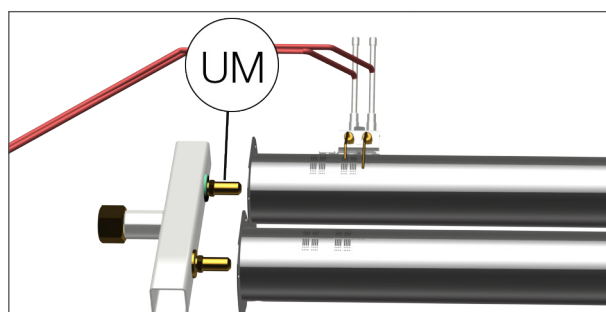
Tables 18A, B and C specifies:

- which gas can be used for the oven.
- the nozzles and settings for each gas that can be used.
- the number indicated in table TAB1 is also stamped on the body of nozzles.

To convert the oven to the local gas type, follow the instructions given in table 18A and carry out the steps below:

- Replace the main burner nozzle (UM).
- Affix the adhesive tab indicating the new type of gas used.
- The nozzles and adhesive tabs are supplied with the oven.

After adaptation to another type of gas or maintenance, check the oven operation.



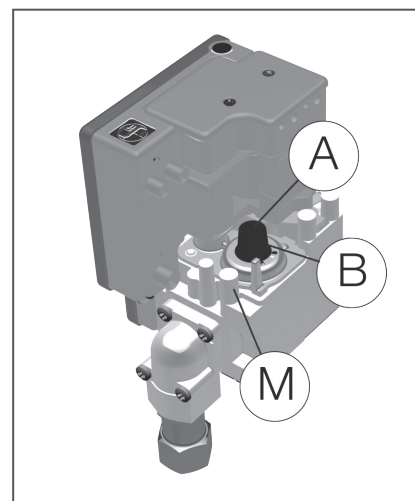
2.1A CHECKING THE GAS SUPPLY PRESSURE

To measure the gas supply pressure use a manometer with a minimum definition of 0,1 mbar.

Remove the screw from on pressure test point M and connect the manometer to the test point.

Make the measurement with the oven heating.

IMPORTANT! IF THE GAS SUPPLY PRESSURE IS NOT WITHIN THE LIMITS (MIN. - MAX) INDICATED IN TABLE 18C, STOP OPERATION OF THE OVEN AND CONTACT THE GAS COMPANY.

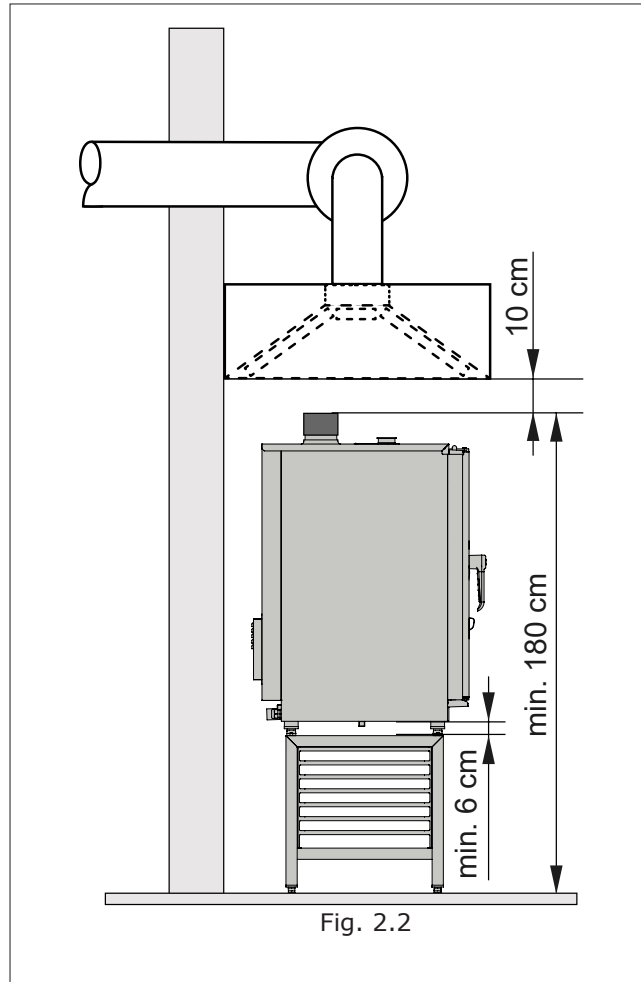


2.2 CONNECTING TO THE FLUE (GAS POWERED OVENS)

The gas appliances are provided with a flue for eliminating the residuals of combustion. This flue must be connected as illustrated in Figure 2.2 as established by the installation rules.

Forced fumes evacuation type A1: (Fig. 2.2)

The appliance is of the A1 type. It must be installed in sufficiently ventilated rooms to prevent the possibility of unacceptable concentrations of substances harmful to health in the room in which the appliance is installed, made in accordance with national and local laws and regulations in force. Indicatively the flow rate of an air aspirator connected directly to the external environment is 35 m³/h for each kW of gas power installed. The appliance must be installed in sufficiently ventilated rooms to ensure the air flow necessary for combustion, in accordance with the national and local laws and regulations in force.



2.3 WATER FEATURES

The water must be suitable to human use with the following characteristics:

Temperature: included between 15 – 20°C

Total hardness: included between 4 and 12 °f (French degrees), it is advisable to install a softener upstream from the appliance that will maintain the hardness level at the mentioned values.

Pressure: included between 150 and 250 KPa (1,5 – 2,5 bar).

Attention: higher water pressure values result in increased water consumption and can compromise the correct functioning of some components.

Maximum chloride concentration (Cl⁻): less than 150 mg/litre.

Chlorine concentration (Cl₂): less than 0.2 mg/litre.

pH: more than 7.

Water conductivity: included between 50 and 2000 µS/cm.

Attention: Water treatment systems that bring to different values to the ones above mentioned automatically invalidate the guarantee.

The use of dosing systems designed to prevent the build-up of lime-scale in pipes (i.e. polyphosphate dosing systems) is also prohibited since it may impair the performance of the appliance.

2.4 TECNICAL DATA TABLE FOR THE WATER SYSTEM

	4-5 trays	6-7 trays	10-12 trays
Water flow rate regulator for steam generation in combined cycle.	Ø 0.4 mm	Ø 0.4 mm	Ø 0.5 mm
Water flow rate regulator for steam generation in steam cycle.	Ø 0.55 mm	Ø 0.6 mm	Ø 0.6 mm

2.5 HYDRAULIC CONNECTION – WATER INLET

The ovens have 2 water inlet coupling at the right side. It is necessary to connect both.

Always install an on-off valve between the appliance and the water mains, making sure it is easy to operate.

We also suggest installing a cartridge filter on the water inlet pipe.

Always use a set of new water joints, eventual old joints must not be used again.

Plumbing connection must be always effected with cold water and rigid pipes.

Never use hoses to connect the oven to the water main.



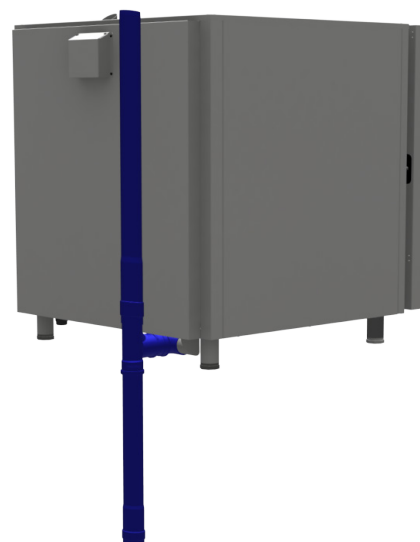
2.6 PLUMBING – WATER DRAINAGE

Drainage for the water is at the back of the oven and must be connected directly to the end of the stainless steel drainpipe.

The drain must have no trap and be made in rigid pipes that can withstand a temperature of 110°C.

Under no circumstances must pipe diameter be reduced. The actual pipe should be at atmospheric pressure with the appropriate funnel type air intake.

If the drainpipe is clogged for any reason steam can escape from the door and bad smells can be created inside in the oven.



3.0 CONTROL AND SAFETY DEVICES

The ovens are equipped with a set of control and safety devices for the electric and hydraulic circuits.

3.0A 2A fuse: it is in the auxiliary circuit to protect against short circuiting of the electrical system and is inside its own support on the contactor's fixing bracket.

3.0E Oven safety thermostat: disconnects the heating element or the gas valve when anomalies related to overheating occur. Subsequent re-set will have to be done manually when causes for thermostat operation have been determined.

3.0F Door micro switch: it stops the oven working when the door is opened.

3.0L Gas safety valve: the valve is fitted with an electronic control device that interrupts the flow of gas within 10 seconds if the burners fail to light. Lighting of the burners can be repeated after the electronic device has been manually reset with the push button (Z) located on the control panel.

3.1 REPLACING SPARE PARTS

The replacement of damaged parts must be done only by qualified personnel.

To request the manufacturer parts to be replaced must be provided the oven model and serial number.

These data can be found on the rating plate attached to the oven (see par. 1.4).

Before starting to replace spare parts make sure, for safety reasons, that the electricity main switch is off and that the water on-off valve are closed.

3.2 CHECKING THE FUNCTIONS

After completing the installation of the oven is necessary to perform a leak test to the water network.

The installer must check with suitable measurement instruments that the air noise emissions have a level of sound pressure type weighed A, less than 70 dB (A).



The label ISO 3864-1 here on the side must be stuck on a visible surface, 1,6 mt height from the ground.

On floor models, the label is already stuck in the suitable position.

On table models, the label is supplied along with the documentation and must be stuck after installation on a visible part of the appliance at 1.60 mt from the ground.

The installer must verify proper operation of the oven, providing the necessary instructions to the customer and give this instruction manual that the user must follow carefully.

IMPORTANT:

Before the operator turns the oven on and uses it for any cooking or washing cycle, it is necessary that the installer or a qualified technician checks all the connections have been done up to the instructions stated in our manual. The technician or the installer must therefore check as follows:

- The oven must stand (horizontal position) and be fixed on a stand or a shelf, that can guarantee stability.
- Wiring connection must be effected according to the directives and the feed cable section must be no lower than the one indicated in the manual.
- Pressure and hardness of the water must comply the values indicated in this manual;
- If the oven is supplied with drain pipe, this must be connected properly and the materials used should withstand the working temperature.

After you have checked everything, open the water on-off valve, eventually the gas on-off valve and the protection switch, all installed upstream.

The installer must check the proper functioning of the oven and give to the operator necessary instructions for a correct use of the oven, and also verify that the operator owns a copy of this manual.

PREMESSA

Il contenuto del presente manuale è riferito a diversi modelli di forni, per questo motivo, non tutte le funzionalità descritte potrebbero essere incluse nel forno da voi acquistato.

Il Costruttore declina ogni responsabilità per le possibili inesattezze contenute nel presente opuscolo, imputabili ad errori di stampa o di trascrizione. Si riserva il diritto di apportare ai propri prodotti quelle modifiche che ritiene necessarie o utili, senza pregiudicare le caratteristiche essenziali.

Leggere attentamente le istruzioni per l'uso, con particolare attenzione alle norme relative ai dispositivi di sicurezza. Questa apparecchiatura dovrà essere destinata solo all'uso per il quale è stata espressamente progettata e costruita e cioè per la cottura di alimenti e per la rigenerazione di cibi precotti e/o refrigerati.

ISTRUZIONI PER L'USO E LA MANUTENZIONE

Indicare che questo apparecchio è solo per uso professionale e che deve essere utilizzato da personale qualificato; notare che le parti che sono state protette dal produttore o dal suo agente non devono essere regolate dall'utente.

ATTENZIONE! Prima di realizzare qualsiasi tipo di connessione di questo apparato (elettrica o idraulica), leggere con attenzione le istruzioni riportate nel presente manuale. Questo manuale deve essere conservato con cura per essere disponibile per future consultazioni da parte degli utilizzatori o dei tecnici addetti alla manutenzione. L'installazione deve essere realizzata esclusivamente da personale tecnico specializzato.

1.0 DICHIARAZIONE DI CONFORMITA'

Il Costruttore dichiara che gli apparecchi sono conformi alle prescrizioni CEE.

L'installazione dovrà essere effettuata in osservanza alle norme vigenti, soprattutto in merito all'areazione dei locali e dei sistemi per l'evacuazione dei gas combustibili.

N.B.: Il Costruttore declina ogni responsabilità in caso di danni diretti derivati da: uso non corretto, errata installazione e da cattiva manutenzione.

1.1 DIRETTIVA EUROPEA 2012/19/UE

Questo apparecchio è contrassegnato in conformità alla Direttiva Europea 2012/19/UE, Waste Electrical and Electronic Equipment (WEEE). Assicurandosi che questo prodotto sia smaltito in modo corretto, l'utente contribuisce a prevenire le potenziali conseguenze negative per l'ambiente e la salute.



Il simbolo sul prodotto o sulla documentazione di accompagnamento indica che questo prodotto non deve essere trattato come rifiuto domestico ma deve essere consegnato presso l'ideale punto di raccolta per il riciclaggio di apparecchiature elettriche ed elettroniche.

Disfarsene seguendo le normative locali per lo smaltimento dei rifiuti.

Per ulteriori informazioni sul trattamento, recupero e riciclaggio di questo prodotto, contattare l'ideale ufficio locale, il servizio di raccolta dei rifiuti domestici o il negozio presso il quale il prodotto è stato acquistato.

1.3 TRASPORTO DEL FORNO E RIMOZIONE DEGLI IMBALLI

Al ricevimento del forno e prima di procedere all'installazione verificare che l'imballo sia integro e che non siano presenti danni visibili. Verificare che assieme al forno ci sia tutta la relativa documentazione, composta da:

- manuale di installazione, uso e manutenzione
- scheda per la verifica della corretta installazione
- schema elettrico
- etichetta ISO 3864-1

Prima di trasportare il forno fino al punto dove deve essere installato verificare che:

- le porte abbiano un'ampiezza sufficiente a consentire il passaggio del forno;
- la pavimentazione sopporti il peso.

A seconda del modello del forno, delle sue dimensioni e del suo peso, utilizzare per la movimentazione in fase di trasporto e spostamento prima dell'installazione, attrezzature che garantiscano la stabilità al fine di evitare ribaltamenti, cadute o movimenti incontrollati dell'apparecchio o delle sue parti componenti.

Mantenere l'imballo del forno fino al luogo dove il forno verrà installato.

L'imballo facilita la movimentazione e protegge il forno dagli urti accidentali.

Durante lo spostamento e l'installazione del forno, l'installatore è tenuto a rispettare le norme antinfortunistiche vigenti nel luogo di installazione (uso di scarpe antinfortunistiche, guanti, ecc.). Rimuovere l'imballo facendo attenzione a non danneggiare il forno. La pellicola adesiva che protegge le superfici in acciaio inossidabile può essere rimossa anche dopo aver posizionato il forno sopra il corrispondente supporto o sulla superficie di appoggio.



ATTENZIONE. I materiali dell'imballaggio e le pellicole adesive sono potenzialmente pericolosi. Per questo motivo devono essere mantenuti fuori dalla portata dei bambini e correttamente smaltiti, nel rispetto delle norme locali.

È opportuno separare i materiali degli imballaggi (legno, cartone, plastica...) e smaltirli separatamente, nel rispetto delle normative in vigore nel luogo di installazione.

Nota: rimuovere manualmente le pellicole adesive che proteggono le parti in acciaio, prima di mettere in funzione l'apparecchio, evitando l'uso di sostanze abrasive e/o di oggetti metallici.

Pulire gli eventuali residui di colla utilizzando una spugna imbevuta di solvente.

Se il forno viene fatto riscaldare senza aver prima tolto le pellicole adesive, la rimozione delle pellicole e la pulizia dei residui di collante risulteranno molto più difficoltose.

ISTRUZIONI PER L'INSTALLAZIONE E LA REGOLAZIONE

Il metodo di connessione deve essere quello in vigore nel paese in cui l'apparecchio deve essere installato;

Per gli apparecchi di tipo A, le istruzioni devono indicare che tali apparecchi devono essere installati con una ventilazione sufficiente per evitare il verificarsi di concentrazioni inaccettabili di sostanze nocive per la salute nella stanza in cui sono installati;

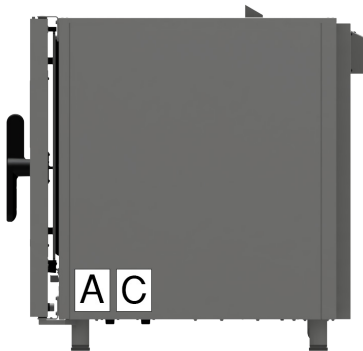
Le istruzioni includono, uno schema elettrico del forno e il riferimento al collegamento alla canna fumaria.

Le istruzioni indicano anche la necessità di installare l'apparecchio in una stanza adeguatamente ventilata.

Le istruzioni indicano anche il flusso d'aria necessario per la combustione, menzionando la necessità di installare l'apparecchio in un locale adeguatamente ventilato in conformità con le normative vigenti. (2 m³/h per ogni kW installato ai fini della combustione, 34 m³/h per ogni kW installato ai fini del benessere degli utilizzatori).

1.4 TARGHETTE INFORMATIVE

In ogni forno sono applicate alcune targhette metalliche che forniscono importanti informazioni riguardo alle caratteristiche del forno, agli allacciamenti elettrico e idrico ed al collegamento dello scarico.

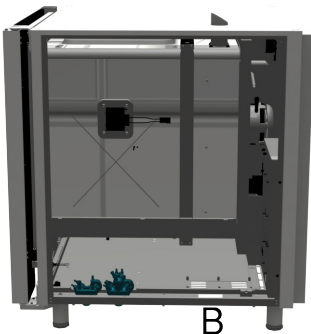


Nel fianco destro è applicata la targhetta A.

Le informazioni contenute in questa targhetta sono:

- nome e indirizzo del costruttore
- modello del forno
- il grado di protezione IPX contro l'ingresso di liquidi
- la conformità alle normative C.E.
- la potenza elettrica assorbita e il tipo di alimentazione elettrica (monofase o trifase)
- il numero di matricola del forno
- il simbolo della direttiva Europea 2012/19/UE

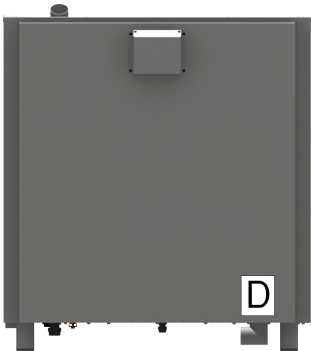
In prossimità dei 2 connettori per l'allacciamento dell'acqua è applicata la targhetta C. La targhetta C indica le caratteristiche dell'acqua necessarie per un corretto funzionamento del forno. Le stesse caratteristiche sono riportate al paragrafo 2.4 del presente manuale.



Smontando il pannello laterale destro, sulla base del forno è applicata la targhetta B.

In questa targhetta è ripetuto il numero di matricola del forno.

In questo modo, il cliente o l'installatore possono conoscere il numero di matricola del forno anche nel caso in cui la targhetta A sia sporca o danneggiata.



In prossimità dello scarico è applicata la targhetta D contenente le informazioni relative alla connessione dello scarico.

INSTALLAZIONE

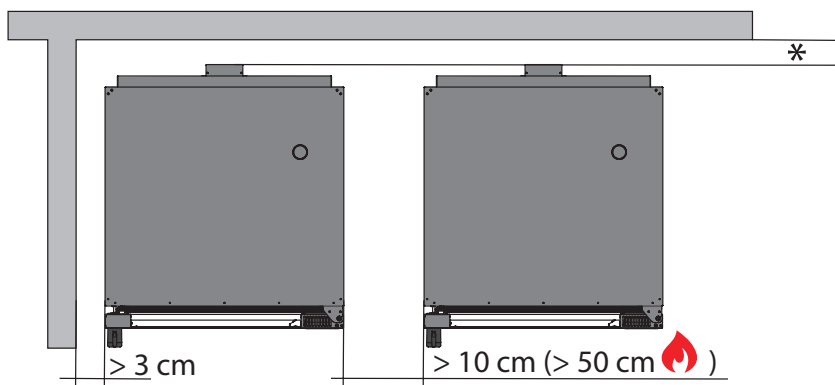
1.5 POSIZIONAMENTO DEL FORNO

Il locale dove il forno verrà installato deve adempiere ai seguenti requisiti:

- essere al riparo dagli agenti atmosferici ed avere un adeguato ricambio d'aria;
- rispettare le normative vigenti relative alla sicurezza sul lavoro
- avere una temperatura compresa tra 5 °C e 35 °C con un livello di umidità non superiore al 70%.

Posizionare il forno e procedere alla messa a livello agendo sui piedini regolabili.

*Mantenere una distanza posteriore sufficiente perchè l'etichetta del morsetto equipotenziale sia visibile facilmente ad apparecchio installato.

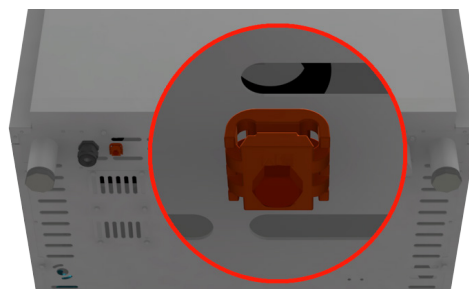


Lo stesso morsetto deve essere accessibile per l'installazione del cavo equipotenziale dopo che il forno è stato installato secondo le istruzioni indicate. Installare l'apparecchio in una posizione che ne permetta l'accesso al lato destro per le operazioni di installazione, manutenzione e assistenza tecnica.

MOLTO IMPORTANTE: il forno deve appoggiare sopra una superficie ignifuga. Nel caso non lo fosse, interporre una lamina di acciaio inox o di altro materiale ignifugo tra il forno e la superficie di appoggio.

1.6 COLLEGAMENTO ELETTRICO

L'apparecchio consegnato è predisposto per il funzionamento alla tensione riportata sulla targhetta "caratteristiche" applicata sul fianco destro dell'apparecchio. L'apparecchiatura deve trovare inserimento in un sistema equipotenziale, la cui efficacia deve essere in conformità alla normativa in vigore. Il collegamento deve essere eseguito tramite la vite collocata nella parte posteriore del forno, contrassegnata dalla sigla **EQUIPOTENTIAL**. **Il Costruttore declina ogni responsabilità qualora questa importante norma antinfortunistica non venga rispettata.** Se il cavo di alimentazione è danneggiato, esso deve essere sostituito dal servizio assistenza tecnica o comunque da una persona con qualifica simile, in modo da prevenire ogni rischio.



1.7 TABELLA DATI TECNICI ALLACCIAMENTO ELETTRICO

Modello	Potenza assorbita e voltaggio	Numero e potenza motori	Potenza riscaldante	Corrente assorbita	Sezione cavo alimentazione
4 x 1/1 GN- 60x40 Elettrico	6.5 kW 380 - 415 V 3N~ 50 Hz Analog	2 x 240 W	6.0 kW	10.0 A	5 x 2.5 mm ²
5 x 1/1 GN- 60x40 Elettrico	50/60 Hz Touch				
6 x 1/1 GN- 60x40 Elettrico	11.6 kW 380 - 415 V 3N~ 50 Hz Analog	2 x 240 W	11.0 kW	18.0 A	5 x 4.0 mm ²
7 x 1/1 GN- 60x40 Elettrico	50/60 Hz Touch				
10 x 1/1 GN- 60x40 Elettrico	17.3 kW 380 - 415 V 3N~ 50 Hz Analog	3 x 240 W	16.5 kW	26.0 A	5 x 6.0 mm ²
12 x 1/1 GN- 60x40 Elettrico	50/60 Hz Touch				
4 x 1/1 GN- 60x40 Gas	0.3 kW 220 - 240 V 1N~ 50 Hz Analog	1 x 240 W	--	1.2 A	3 x 1.5 mm ²
5 x 1/1 GN- 60x40 Gas	50 Hz Touch				
6 x 1/1 GN- 60x40 Gas	0.3 kW 220 - 240 V 1N~ 50 Hz Analog	1 x 240 W	--	1.2 A	3 x 1.5 mm ²
7 x 1/1 GN- 60x40 Gas	50 Hz Touch				
10 x 1/1 GN- 60x40 Gas	0.6 kW 220 - 240 V 1N~ 50 Hz Analog	2 x 240 W	--	2.4 A	3 x 1.5 mm ²
12 x 1/1 GN- 60x40 Gas	50 Hz Touch				

1.8 TABELLE DATI GAS

FORNO	4 x 1/1 GN - 600x400 5 x 1/1 GN - 600x400													
	10.5	10.5	10.5	10.5	10.5	10.5	10.5	10.5	10.5	10.5	10.5	10.5	10.5	10.5
POTENZA NOMINALE (kW)	10.5	10.5	10.5	10.5	10.5	10.5	10.5	10.5	10.5	10.5	10.5	10.5	10.5	10.5
CATEGORIA GAS	2H	2E	2E+	2K	2L	2LL	2H	2S	2LW	2LS	3+	3B/P	3B/P	3B/P
TIPO DI GAS	G20	G20	G20 G25	G25.3	G25	G25	G20	G25.1	G2.350	G27	G30 G31	G30 G31	G30 G31	G30 G31
PA (MBAR) PRESSIONE GAS	20	20	20 25	25.0	20	20	25	25	13	20	28...30 37	30	37	50
UM (UGELLO MAX.)	215	215	170R	215.0	215	215	215	215		215	120	120	110	120
REGOLAZIONE PRESSIONE A:	9.0	9.0	--	13.0	13.5	13.5	9.0	14.5		15.0	--	--	--	28
CONSUMO (M ³ /H)	1.111	1.111	1.111	1.263	1.292	1.292	1.111	1.290		1.355				
CONSUMO (Kg/H)											0.828	0.828	0.828	0.828
CONSUMO	AT	X												X
	BE			X							X			
	BG	X										X		
	CH	X									X			X
	CY	X									X	X		
	CZ	X									X			
	DE		X				X							X
	DK	X											X	
	EE	X											X	
	ES	X									X			
	FI	X											X	
	FR			X								X		
	GB	X										X		
	GR	X										X	X	
	HU							X	X				X	
	IE	X										X		
	IS												X	
	IT	X										X		
	LT	X										X	X	
	LU	X	X										X	
	LV	X											X	
	MT												X	
	NL		X		X								X	
	NO	X											X	
	PL		X								X			X
	PT	X										X		
	RO		X										X	
	SE	X											X	
	SI	X										X	X	
	SK	X										X	X	X
AL	X										X	X		
HR	X											X		
MK	X										X	X		
TR	X										X	X		

FORNO	6 x 1/1 GN - 600x400 7 x 1/1 GN - 600x400													
POTENZA NOMINALE (kW)	14.5	14.5	14.5	14.5	14.5	14.5	14.5	14.5	14.5	14.5	14.5	14.5	14.5	14.5
CATEGORIA GAS	2H	2E	2E+	2K	2L	2LL	2H	2S	2LW	2LS	3+	3B/P	3B/P	3B/P
TIPO DI GAS	G20	G20	G20 G25	G25.3	G25	G25	G20	G25.1	G2.350	G27	G30 G31	G30 G31	G30 G31	G30 G31
PA (MBAR) PRESSIONE GAS	20	20	20 25	25.0	20	20	25	25	13	20	28...30 37	30	37	50
UM (UGELLO MAX.)	245	245	200	245.0	245	245	245	245		245	140	140	130	140
REGOLAZIONE PRESSIONE A:	9.0	9.0	--	13.0	13.5	13.5	9.0	15.0		15.0	--	--	--	27
CONSUMO (M ³ /H)	1.534	1.534	1.534	1.745	1.745	1.745	1.534	1.782		1.872				
CONSUMO (Kg/H)											1.143	1.143	1.143	1.143
CONSUMO	AT	X												X
	BE			X							X			
	BG	X										X		
	CH	X									X			X
	CY	X									X	X		
	CZ	X									X			
	DE		X				X							X
	DK	X											X	
	EE	X											X	
	ES	X										X		
	FI	X											X	
	FR			X								X		
	GB	X										X		
	GR	X										X	X	
	HU							X	X				X	
	IE	X										X		
	IS												X	
	IT	X										X		
	LT	X										X	X	
	LU	X	X										X	
	LV	X											X	
	MT												X	
	NL		X		X								X	
	NO	X											X	
	PL		X								X			X
	PT	X										X		
	RO		X										X	
	SE	X											X	
	SI	X										X	X	
	SK	X										X	X	X
AL	X										X	X		
HR	X											X		
MK	X										X	X		
TR	X										X	X		

FORNO		10 x 1/1 GN - 600x400 12 x 1/1 GN - 600x400														
POTENZA NOMINALE (kW)		20.5	20.5	20.5	20.5	20.5	20.5	20.5	20.5	20.5	20.5	20.5	20.5	20.5	20.5	
CATEGORIA GAS		2H	2E	2E+	2K	2L	2LL	2H	2S	2LW	2LS	3+	3B/P	3B/P	3B/P	
TIPO DI GAS		G20	G20	G20 G25	G25.3	G25	G25	G20	G25.1	G2.350	G27	G30 G31	G30 G31	G30 G31	G30 G31	
PA (MBAR) PRESSIONE GAS		20	20	20 25	25.0	20	20	25	25	13	20	28...30 37	30	37	50	
UM (UGELLO MAX.)		280	280	240	280.0	280	280	280	280		280	140	140	130	140	
REGOLAZIONE PRESSIONE A:		10.0	10.0	--	14.5	14.5	14.5	10.0	16.0		16.0	--	--	--	28	
CONSUMO (M³/H)		2.169	2.169	2.169	2.467	2.523	1.292	2.169	2.519		2.646					
CONSUMO (Kg/H)												1.617	1.617	1.617	1.617	
CONSUMO	AT	X													X	
	BE			X								X				
	BG	X											X			
	CH	X										X			X	
	CY	X										X	X			
	CZ	X										X				
	DE		X					X								X
	DK	X												X		
	EE	X												X		
	ES	X										X				
	FI	X												X		
	FR			X									X			
	GB	X											X			
	GR	X											X	X		
	HU								X	X				X		
	IE	X											X			
	IS														X	
	IT	X											X			
	LT	X											X	X		
	LU	X	X												X	
	LV	X													X	
	MT														X	
	NL		X		X										X	
	NO	X													X	
	PL		X									X				X
	PT	X											X			
	RO		X												X	
	SE	X													X	
	SI	X											X	X		
	SK	X											X	X		X
AL	X											X	X			
HR	X													X		
MK	X											X	X			
TR	X											X	X			

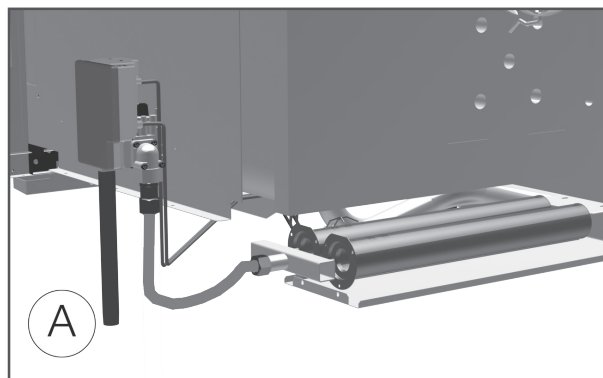
1.9 COLLEGAMENTO ALLA RETE DEL GAS

L'allacciamento dell'apparecchio alla rete del gas deve essere eseguito sulla presa (A) ed a mezzo tubazioni metalliche di tipo rigido, in acciaio zincato o in rame, collocate a vista.

Non utilizzare tubature flessibili per il collegamento del forno alla rete del gas.

L'apparecchiatura deve essere collegata nell'impianto ad una valvola d'intercettazione, con comando facilmente azionabile, il collegamento tra la tubazione e l'apparecchio deve essere realizzato con giunto metallico a tre pezzi per facilitare lo smontaggio. La tenuta sui filetti di giunzione deve essere assicurata mediante materiali dichiarati specificatamente idonei dal loro fabbricante anche per i gas GPL.

L'apparecchiatura deve essere alimentata con il tipo di gas adatto (vedi tabelle dati tecnici) ed è predisposta per funzionare con il gas riportato nella targhetta "caratteristiche" (par. 1.4).



2.0 CONTROLLO PERDITE DI GAS

Ad installazione ultimata controllare che non vi siano perdite di gas nell'ambiente.

La verifica può essere eseguita mediante pennellate di acqua saponata sui giunti e raccordi, l'eventuale bolla segnala la perdita di gas.

2.1 TRASFORMAZIONE AI VARI TIPI DI GAS

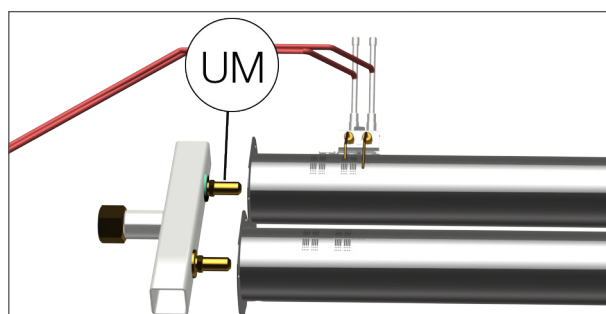
Nelle tabelle 18A, B e C sono indicati:

- i diversi tipi di gas che si possono utilizzare per il funzionamento del forno.
- gli ugelli e le relative regolazioni ognuno dei gas che si possono utilizzare.
- il numero indicato nella tabella 18A è stampigliato sul corpo di ogni ugello.

Per adattare il forno al tipo di gas con il quale sarà alimentato seguire le indicazioni della tabella 18A ed effettuare le operazioni sotto elencate:

- Sostituire l'ugello (o gli ugelli) del bruciatore (UM).
- Applicare sulla apparecchiatura la targhetta adesiva che indica il nuovo tipo di gas utilizzato.
- Gli ugelli e le targhethe adesive sono forniti in dotazione all'apparecchiatura.

Dopo l'adattamento ad altro tipo di gas o interventi di manutenzione verificare il funzionamento del forno.



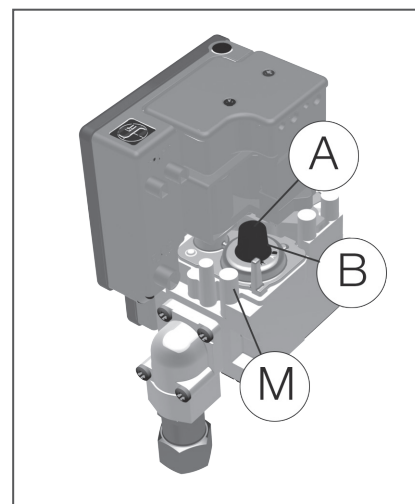
2.1A VERIFICA PRESSIONE DI ALIMENTAZIONE DEL GAS

Utilizzare un manometro con scala di almeno a 0, 1 mbar.

Togliere la vite di tenuta dalla presa di pressione M e collegare il manometro.

Effettuare la misura con il forno in funzione.

ATTENZIONE! SE LA PRESSIONE DI ALIMENTAZIONE DEL GAS NON RIENTRA NEI VALORI (MIN. - MAX.) INDICATI NELLA TABELLA 18C, INTERROMPERE IL FUNZIONAMENTO DEL FORNO E CONTATTARE L'ENTE DI FORNITURA DEL GAS.



2.2 COLLEGAMENTO AL CAMINO

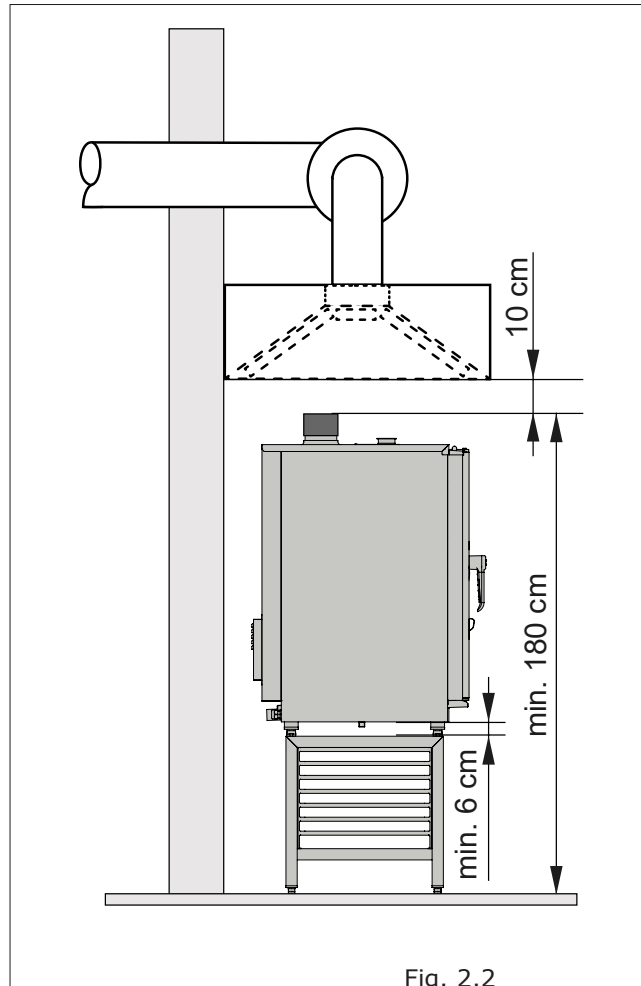
I modelli a gas sono provvisti di un camino per l'evacuazione dei prodotti della combustione che deve essere collegato secondo una modalità illustrata nella Fig. 2.2 prevista dalle normative di installazione.

Evacuazione fumi forzata tipo A1: (Fig. 2.2)

L'apparecchio è di tipo A1. Deve essere installato in locali sufficientemente ventilati per prevenire l'eventualità di concentrazioni inaccettabili di sostanze dannose per la salute nella stanza in cui è installato l'apparecchio, realizzati in accordo con le norme e le regolamentazioni nazionali e locali vigenti.

Indicativamente la portata di un aspiratore d'aria collegato direttamente all'ambiente esterno, è di 35 m³/h per ogni kW di potenza gas installata.

L'apparecchio deve essere installato in locali sufficientemente ventilati per garantire il flusso d'aria necessario per la combustione, in accordo con le norme e le regolamentazioni nazionali e locali vigenti.



2.3 CARATTERISTICHE DELL'ACQUA

L'acqua di alimentazione deve essere idonea al consumo umano e avere le seguenti caratteristiche:

Temperatura: compresa tra 15 - 20°C

Durezza totale: compresa tra 4 e 12 °f (gradi Francesi).

Si consiglia di installare sempre un decalcificatore a monte dell'apparecchio, atto a mantenere il valore della durezza dell'acqua entro detti valori, Il funzionamento del forno con acqua di durezza superiore porta alla formazione di incrostazioni calcaree sulle pareti della camera di cottura.

Pressione: compresa tra 150 e 250 KPa (1,5 - 2,5 bar).

N.B. valori di pressione più elevati comportano solo un dispendio del consumo di acqua e possono compromettere il corretto funzionamento di alcuni componenti.

Concentrazione di ione cloruro (Cl⁻): inferiore a 150 mg/lit.

Concentrazione di Cloro (Cl₂): inferiore a 0.2 mg/litro.

pH: maggiore di 7.

Conducibilità elettrica: compresa tra 50 e 2000 µS/cm.

Attenzione: L'utilizzo di sistemi di trattamento dell'acqua che determinano valori diversi da quelli sopra indicati non è ammesso pena il totale decadimento della garanzia. Eventuali impianti dosatori di sostanze atte a evitare la formazione di incrostazioni nelle tubazioni (per esempio: dosatori di polifosfati) sono altresì vietati perché possono compromettere il corretto funzionamento dell'apparecchiatura.

2.4 TABELLA DATI TECNICI IMPIANTO ACQUA

	4-5 trays	6-7 trays	10-12 trays
Regolatore portata acqua generazione vapore ciclo misto.	Ø 0.4 mm	Ø 0.4 mm	Ø 0.5 mm
Regolatore portata acqua generazione vapore ciclo vapore.	Ø 0.55 mm	Ø 0.6 mm	Ø 0.6 mm

2.5 COLLEGAMENTO IDRAULICO - ENTRATA ACQUA

I forni sono provvisti di 2 raccordi di entrata-acqua situati nel retro dell'apparecchiatura. È necessario connettere entrambi.

Porre sempre tra l'apparecchio e la rete di alimentazione dell'acqua una valvola di intercettazione con comando facilmente azionabile, si consiglia inoltre il montaggio di un filtro a cartuccia sulla tubazione di entrata dell'acqua.

Utilizzare sempre un set di giunzioni idriche nuovo, eventuali vecchie giunzioni non devono essere riutilizzate. L'allacciamento idrico deve essere effettuato sempre con acqua fredda ed eseguito con condutture rigide.

Non utilizzare tubature flessibili per il collegamento del forno alla rete idrica.

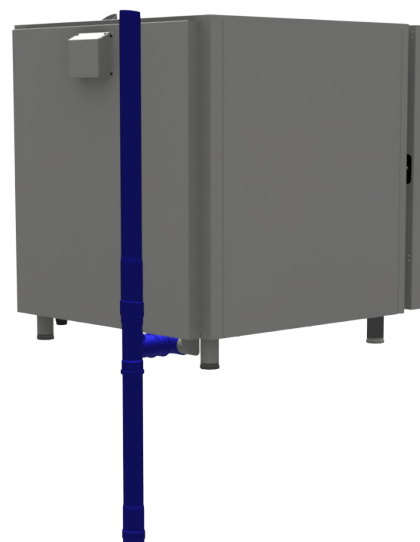


2.6 COLLEGAMENTO IDRAULICO - SCARICO ACQUA

I forni sono dotati di uno scarico acqua situato sul retro dell'apparecchio; il collegamento idraulico deve essere effettuato direttamente sull'estremità del tubo di scarico in acciaio inox.

Lo scarico deve essere privo di sifone e realizzato con tubi rigidi e resistenti alla temperatura di 110 °C.

È assolutamente necessario che il diametro del tubo di scarico non venga ridotto e che la sua tubazione sia a pressione atmosferica. L'eventuale intasamento del tubo di scarico può provocare uscita di vapore dalla porta e cattivi odori nella camera di cottura.



3.0 AUTOMATISMI DI CONTROLLO E SICUREZZA

I forni sono dotati di una serie di automatismi di controllo e sicurezza dei circuiti elettrici ed idraulici.

3.0A Fusibile da 2A: è inserito nel circuito ausiliario per la protezione da corto circuito dell'impianto elettrico ed è alloggiato nell'apposito supporto collocato sulla staffa di fissaggio dei contattori.

3.0E Termostato sicurezza camera forno: disinserisce le resistenze riscaldanti in caso di anomalie derivate da surriscaldamento, il ripristino dovrà essere eseguito manualmente dopo la verifica delle cause che ne hanno causato l'intervento.

3.0F Interruttore apertura porta: arresta il funzionamento del forno quando viene aperta la porta.

3.0L Valvola sicurezza gas: la valvola è corredata di un dispositivo elettronico di controllo che interrompe l'efflusso del gas entro 10" in caso di mancata accensione dei bruciatori. L'operazione di accensione dei bruciatori potrà essere ripetuta previo il ripristino manuale del dispositivo elettronico da eseguire tramite il pulsante (Z) posizionato nel cruscotto.

3.1 SOSTITUZIONE PARTI DI RICAMBIO

La sostituzione di parti danneggiate deve essere realizzata unicamente da personale tecnico qualificato.

Per richiedere al costruttore le parti da sostituire è necessario comunicare il modello del forno e il numero di serie.

Tali dati sono reperibili dalla targhetta caratteristiche attaccata al forno (vedi par. 1.4).

Prima di procedere alla sostituzione delle parti di ricambio è necessario, ai fini della sicurezza, disinserire l'interruttore elettrico di protezione, chiudere la valvola di intercettazione acqua installata a monte dell'apparecchio.

3.2 CONTROLLO DELLE FUNZIONI

Dopo aver completato l'installazione del forno è necessario eseguire una prova di tenuta delle condutture idriche.

L'installatore deve inoltre verificare, con gli opportuni strumenti di misurazione, che le emissioni di rumore aereo abbiano un livello di pressione sonora ponderato A è inferiore ai 70 dB(A).



L'etichetta ISO 3864-1 raffigurata a fianco deve essere applicata su una parte visibile a una altezza di 1,6 m. dal suolo. Nei modelli a pavimento, l'etichetta è già applicata nella corretta posizione. Nei modelli da tavolo, è fornita assieme alla documentazione del forno e va applicata, a installazione ultimata, su una parte visibile dell'apparecchio ad 1,60 m da terra. L'installatore dovrà verificare il corretto funzionamento del forno, fornire al Cliente le istruzioni necessarie e consegnargli il presente manuale di istruzioni a cui l'utente si dovrà attenere scrupolosamente nell'uso.

IMPORTANTE: Prima che l'utilizzatore possa accendere il forno ed utilizzarlo per qualsiasi processo di cottura o lavaggio, è necessario che l'installatore o un tecnico qualificato abbia verificato che tutte le connessioni del forno siano state realizzate rispettando le indicazioni del presente manuale.

Il tecnico o l'installatore dovranno quindi accertarsi che:

- il forno sia in posizione orizzontale e appoggiato su un supporto o un ripiano che ne garantisca la stabilità;
- la connessione elettrica sia stata realizzata nel rispetto delle normative e che la sezione dei cavi di alimentazione non sia inferiore a quella indicata nel manuale;
- la pressione e la durezza dell'acqua che alimenta il forno rientrino nei campi specificati in questo manuale;
- nel caso il forno sia provvisto di scarico, che questo sia collegato in modo corretto e che i materiali utilizzati siano adatti alle temperature di esercizio. Dopo aver realizzato le verifiche è possibile aprire le valvole di intercettazione dell'acqua e l'interruttore elettrico di protezione, installati a monte dell'apparecchio. L'installatore dovrà verificare il corretto funzionamento del forno e fornire all'utente le istruzioni necessarie ad un uso corretto, nonché accertarsi che all'utente sia stata consegnata una copia di questo manuale.

VORWORT

Der Inhalt dieses Handbuchs ist allgemeingültig und nicht alle beschriebenen Funktionen könnten in Ihrem Produkt eingeschlossen sein.

Die Herstellerfirma übernimmt keinerlei Verantwortung für eventuell in dieser Broschüre enthaltene Ungenauigkeiten, die auf Druckfehler zurückzuführen sind und behält sich das Recht vor an ihren Produkten alle für notwendig erachteten Änderungen anzubringen, ohne die wesentlichen Eigenschaften zu beeinflussen. Lesen Sie sorgfältig diese Bedienungsanleitung und beachten Sie insbesondere die gültigen Richtlinien bezüglich der Sicherheitsvorrichtungen. Das Gerät darf nur für den ursprünglich vorgesehene Zweck, d. h. zum Regenerieren von vorgekochten Speisen und Warmzuhalten verwendet werden.

GEBRAUCH-UND WARTUNGSANWEISUNGEN

Geben Sie an, dass dieses Gerät nur für den professionellen Gebrauch bestimmt ist und dass es von qualifiziertem Personal verwendet werden muss. Beachten Sie, dass die vom Hersteller oder seinem Vertreter geschützten Teile nicht vom Benutzer reguliert werden müssen.

WARNUNG! Bevor Sie irgendeine Art von Verbindung dieser Geräte (elektrische oder hydraulische), lesen Sie bitte die Anweisungen in diesem Handbuch.

Dieses Handbuch soll mit Sorgfalt zu Referenzzwecken zur Verfügung von Benutzern oder Wartungstechnikern aufbewahrt werden. Die Installation darf ausschließlich von qualifiziertem Fachpersonal durchgeführt werden.

1.0 KONFORMITÄTSERKLÄRUNG

Der Hersteller bestätigt, dass die Geräte den EU-Vorschriften entsprechen. Die Installation muss, insbesondere bezüglich der Belüftung der Räume und der Abgasleitung, gemäß den gültigen Normen durchgeführt werden.

Achtung: Der Hersteller haftet nicht für direkte Schäden, die durch unsachgemäße Bedienung, falsche Installation, oder mangelnde Wartung verursacht worden sind.

1.1 EUROPÄISCHE RICHTLINIE 2012/19/UE

In Übereinstimmung mit den Anforderungen der Europäischen Richtlinie 2012/19/UE über Elektro- und Elektronik-Altgeräte (WEEE) ist vorliegendes Gerät mit einer Markierung versehen. Sie leisten einen positiven Beitrag für den Schutz der Umwelt und die Gesundheit des Menschen, wenn Sie dieses Gerät einer gesonderten Abfallsammlung zuführen



Im unsortierten Siedlungsmüll könnte ein solches Gerät durch unsachgemäße Entsorgung negative Konsequenzen nach sich ziehen. Auf dem Produkt oder der beiliegenden Produktdokumentation ist folgendes Symbol einer durchgestrichenen Abfalltonne abgebildet. Es weist darauf hin, dass eine Entsorgung im normalen Haushaltsabfall nicht zulässig ist. Entsorgen Sie dieses Produkt im Recyclinghof mit einer getrennten Sammlung für Elektro- und Elektronikgeräte.

Die Entsorgung muss gemäß den örtlichen Bestimmungen zur Abfallbeseitigung erfolgen. Bitte wenden Sie sich an die zuständigen Behörden Ihrer.

1.3 TRANSPORT DES OFENS UND ENTFERNUNG DER VERPACKUNG

Beim Eingang des Ofens und vor der Installation, überprüfen, daß die Verpackung intakt ist und es keine sichtliche Schäden gibt.

Überprüfen Sie, daß es zusammen mit dem Ofen die dazugehörigen Dokumentation gibt und zwar:

- Installation.Gebrauch-und Wartungsanleitungen
- Formular für die Überprüfung der korrekten Installation
- Schaltplan
- Etiketete ISO 3864-1

Vor dem Transport des Ofens bis zu dem Punkt, wo er installiert werden muss, überprüfen Sie daß:

- Die Türen sind groß genug um den Durchgang des Ofens zu gewähren;
- Der Bodenbelag das Gewicht tragen kann.

Je nach dem Modell des Ofens, seinen Abmessungen und seinem Gewicht, geeignete Einrichtungen verwenden, um die Ware während Transport und Installation zu bewegen, um die Stabilität zu gewähren und Fälle, Umkippen oder unkontrollierte Bewegung des Gerätes und seine Teile zu vermeiden.

Die Verpackung des Ofens halten, bis der Ofen installiert wird. Die Verpackung macht die Bewegung der Ware einfacher und schützt den Ofen vor zufälligen Stößen. Während des Umzugs und der Installation des Ofens, muss der Installateur die Unfallverhütungsvorschriften in Kraft am Ort der Installation respektieren (Verwendung von Sicherheitsschuhe, Handschuhe usw.). Die Verpackung entfernen, ohne den Ofen zu schaden. Die Klebefolie, die die Edelstahloberfläche schützt kann entfernt werden, auch nach der Platzierung des Ofens über das entsprechende Untergestell oder auf der Auflagefläche.



ACHTUNG: Die Materialien der Verpackung und die Klebefolie sind potenziell gefährlich.

Aus diesem Grund sollen sie außerhalb der Reichweite der Kinder und richtig gehalten werden, in Übereinstimmung der lokalen Bestimmungen.

Sie sollten die Verpackungsmaterialien (Holz, Pappe, Plastik...) trennen und entsorgen Sie diese separat, in Übereinstimmung der gültigen Vorschriften am Ort der Installation.

Achtung: Vor Inbetriebnahme des Geräts die Schutzfolie von den Stahlteilen abziehen. Dafür dürfen keine Scheuermittel bzw. Metallgegenstände verwendet werden. Klebrige Rückstände mit einem in Lösungsmittel getränkten Schwamm entfernen. Wenn der Ofen in Betrieb gesetzt wird, ohne die Klebefolie wegzunehmen, wird die Entfernung der Klebefolie und die Reinigung der klebrigen Rückstände immer schwieriger.

ANLEITUNG ZUR INSTALLATION UND EINSTELLUNG

Die Verbindungsmethode muss diejenige sein, die in dem Land gilt, in dem das Gerät installiert werden soll. Bei Geräten des Typs A muss in den Anweisungen darauf hingewiesen werden, dass diese Geräte ausreichend belüftet werden müssen, um zu verhindern, dass in dem Raum, in dem sie installiert werden, inakzeptable Konzentrationen gesundheitsschädlicher Substanzen auftreten;

Die Anweisungen enthalten ein elektrisches Schaltbild des Ofens und den Hinweis auf die Verbindung zum Kamin.

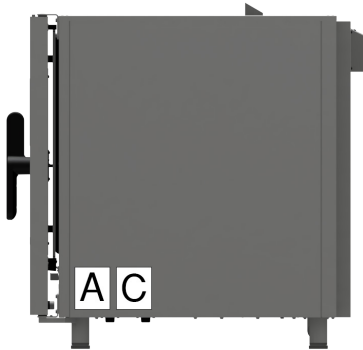
In den Anweisungen wird auch darauf hingewiesen, dass das Gerät in einem gut belüfteten Raum installiert werden muss.

Die Anweisungen geben auch den Luftstrom an, der für die Verbrennung notwendig ist, und weisen auf die Notwendigkeit hin, das Gerät in einem gut belüfteten Raum unter Beachtung der geltenden Vorschriften zu installieren.

(2 m³/h für jede zur Verbrennung installierte kW, 34 m³/h für jede installierte kW zum Zwecke des Wohlbefindens der Nutzer).

1.4 INFORMATIONSETIKETTEN

Auf jedem Ofen finden Sie Metalletiketten, die wichtige Info über Merkmale des Ofens, Strom- und Wasseranschlüsse und eventuell Ablaufanschluss geben.



Auf der rechten Wand liegt die Etikette A.

Die Informationen auf dieser Etikette sind die folgende:

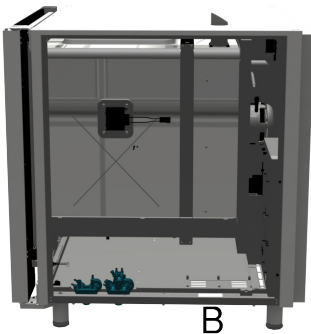
- Name und Adresse des Herstellers
- Ofenmodell
- IPX-Schutz gegen Wasserstrahl
- Konformität europäischen Vorschriften
- Leistung und Art der Stromversorgung (einphasig oder dreiphasig).
- Seriennummer der Öfen
- Symbol der europäischen Vorschrift 2012/19/UE

Wenn der Ofen mit Beschwadung ausgerüstet ist, am Rücken des Ofens, neben dem Verbinder für Wasseranschluss liegt die Etikette C.

Die Etikette C zeigt die notwendigen Wassermerkmale für einen korrekten Betrieb des Ofens.

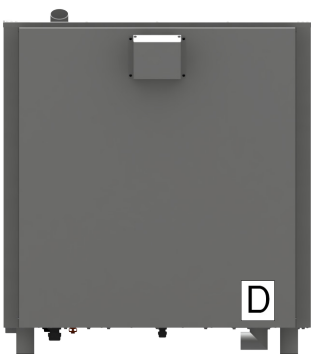
Die gleichen Merkmale sind am Abschnitt 2.4 dieses Handbuchs gelistet.

Durch das Entfernen der hinteren Wand, finden Sie auf Ofenboden die Etikette B.



Auf dieser Etikette wird die Seriennummer des Ofens wiederholt.

Auf diesem Fall, kann der Kunde oder der Installateur die Seriennummer des Ofens finden, wenn die Etikette A schmutzig oder geschädigt ist.



Neben dem Ablauf finden Sie die Etikette D mit den dazugehörigen Info über Ablaufanschluss.

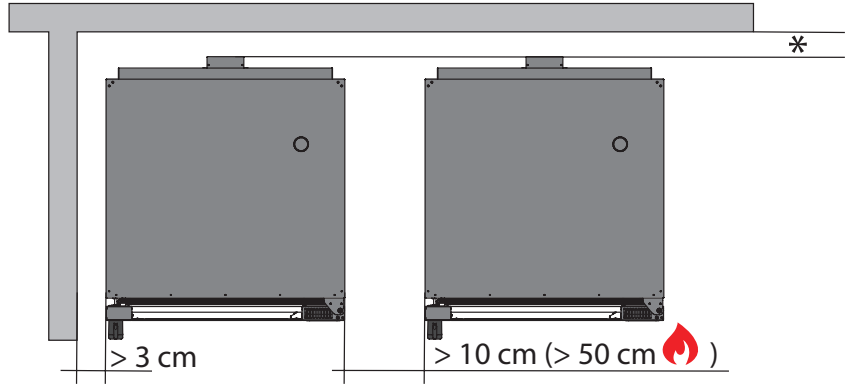
INSTALLATION

1.5 POSITIONIERUNG DES OFENS

Das Lokal, wo der Ofen installiert werden soll, muss die folgenden Anforderungen erfüllen und zwar:

- Vor Witterungseinflüssen geschützt werden und einen ausreichenden Luftaustausch haben;
- Einhaltung der Vorschriften zur Arbeitssicherheit;
- Eine Raumtemperatur zwischen 5°C und 35°C mit Feuchtigkeit nicht über 70%;

*Stellen Sie den Ofen in Gleichgewicht durch den verstellbaren Füßen. Einen Hinterabstand halten, damit die Etikette für Equipotentialklemme sichtbar ist, wenn der Ofen installiert wird.

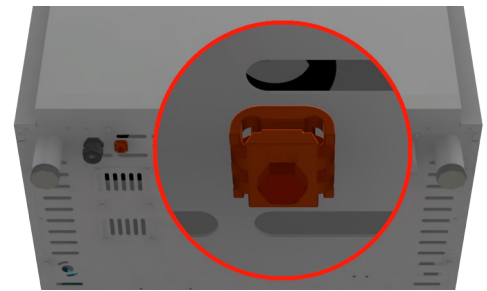


Die gleiche Klemme muss zugänglich sein, um Pa Kabel zu installieren, nachdem der Ofen gemäß der Bedienungsanleitungen installiert worden ist. Das Gerät so aufstellen, dass die rechte Seite des Geräts für Installations-, Wartungs- und Reparaturarbeiten zugänglich sind. Den Mindestabstand zwischen den Wänden des Backofens (hintere Wand und rechte Seitenwand) und Mauern oder anderen Geräten beachten.

SEHR WICHTIG: Der Ofen muss auf einer feuerfesten Oberfläche liegen. Wenn dies nicht der Fall ist, legen Sie eine Platte aus Edelstahl oder einem anderen feuerfesten Material zwischen den Ofen und die Auflagefläche.

1.6 ELEKTROANSCHLUSS

Das Gerät wird werksgemäß für den Betrieb mit der auf dem Typenschild (auf der rechten Seite des Geräts angebracht) angegebenen Versorgungsspannung eingestellt. Des weiteren muss das Gerät in ein Potentialausgleichssystem eingeschlossen werden, dessen Wirksamkeit den geltenden Richtlinien entsprechen muss. Der Anschluss wird mit der Schraube am Rücken des Ofens durchgeführt, die mit **EQUIPOTENTIAL** gekennzeichnet ist und sich in der Nähe der Kabelklemme befindet. **Die Herstellerfirma übernimmt bei Nichtbeachtung dieser Unfallverhütungsmaßnahme keine Verantwortung.** Wenn das Netzkabel beschädigt ist, muss es durch den Kundendienst oder eine ähnlich qualifizierte Person ersetzt werden, um jegliches Risiko zu vermeiden.



1.7 TABELLE TECHNISCHE DATEN ELEKTROANSCHLUSS

Modelle	Leistung und Spannung	Anz. und Motorleistung	Heizleistung	Strom	Querschnitt Anschlusskabel
4 x 1/1 GN- 60x40 Elektrische	6.5 kW 380 - 415 V 3N~ 50 Hz Analog	2 x 240 W	6.0 kW	10.0 A	5 x 2.5 mm ²
5 x 1/1 GN- 60x40 Elektrische	50/60 Hz Touch				
6 x 1/1 GN- 60x40 Elektrische	11.6 kW 380 - 415 V 3N~ 50 Hz Analog	2 x 240 W	11.0 kW	18.0 A	5 x 4.0 mm ²
7 x 1/1 GN- 60x40 Elektrische	50/60 Hz Touch				
10 x 1/1 GN- 60x40 Elektrische	17.3 kW 380 - 415 V 3N~ 50 Hz Analog	3 x 240 W	16.5 kW	26.0 A	5 x 6.0 mm ²
12 x 1/1 GN- 60x40 Elektrische	50/60 Hz Touch				
4 x 1/1 GN- 60x40 Gas	0.3 kW 220 - 240 V 1N~ 50 Hz Analog	1 x 240 W	--	1.2 A	3 x 1.5 mm ²
5 x 1/1 GN- 60x40 Gas	50 Hz Touch				
6 x 1/1 GN- 60x40 Gas	0.3 kW 220 - 240 V 1N~ 50 Hz Analog	1 x 240 W	--	1.2 A	3 x 1.5 mm ²
7 x 1/1 GN- 60x40 Gas	50 Hz Touch				
10 x 1/1 GN- 60x40 Gas	0.6 kW 220 - 240 V 1N~ 50 Hz Analog	2 x 240 W	--	2.4 A	3 x 1.5 mm ²
12 x 1/1 GN- 60x40 Gas	50 Hz Touch				

1.8 GAS TECHNISCHE DATEN

HEISLUFTDÄMPFER		4 x 1/1 GN - 600x400 5 x 1/1 GN - 600x400														
NOMINAL POWER (kW)		10.5	10.5	10.5	10.5	10.5	10.5	10.5	10.5	10.5	10.5	10.5	10.5	10.5	10.5	
KATEGORIE		2H	2E	2E+	2K	2L	2LL	2H	2S	2LW	2LS	3+	3B/P	3B/P	3B/P	
GASART		G20	G20	G20 G25	G25.3	G25	G25	G20	G25.1	G2.350	G27	G30 G31	G30 G31	G30 G31	G30 G31	
PA (MBAR) ANSCHLUSSDRUCK		20	20	20 25	25.0	20	20	25	25	13	20	28...30 37	30	37	50	
UM (DUSE MAX.)		215	215	170R	215.0	215	215	215	215		215	120	120	110	120	
ANSCHLUSSDRUCK		9.0	9.0	--	13.0	13.5	13.5	9.0	14.5		15.0	--	--	--	28	
VERBRAUCH (M ³ /H)		1.111	1.111	1.111	1.263	1.292	1.292	1.111	1.290		1.355					
VERBRAUCH (Kg/H)												0.828	0.828	0.828	0.828	
VERBRAUCH	AT	X													X	
	BE			X								X				
	BG	X											X			
	CH	X										X			X	
	CY	X										X	X			
	CZ	X										X				
	DE		X					X								X
	DK	X												X		
	EE	X												X		
	ES	X											X			
	FI	X												X		
	FR			X									X			
	GB	X											X			
	GR	X											X	X		
	HU								X	X				X		
	IE	X											X			
	IS														X	
	IT	X											X			
	LT	X											X	X		
	LU	X	X												X	
	LV	X													X	
	MT														X	
	NL		X		X										X	
	NO	X													X	
	PL		X									X				X
	PT	X											X			
	RO		X												X	
	SE	X													X	
	SI	X											X	X		
	SK	X											X	X		X
AL	X											X	X			
HR	X													X		
MK	X											X	X			
TR	X											X	X			

HEISSLUFTDÄMPFER	6 x 1/1 GN - 600x400 7 x 1/1 GN - 600x400													
NOMINAL POWER (kW)	14.5	14.5	14.5	14.5	14.5	14.5	14.5	14.5	14.5	14.5	14.5	14.5	14.5	14.5
KATEGORIE	2H	2E	2E+	2K	2L	2LL	2H	2S	2LW	2LS	3+	3B/P	3B/P	3B/P
GASART	G20	G20	G20 G25	G25.3	G25	G25	G20	G25.1	G2.350	G27	G30 G31	G30 G31	G30 G31	G30 G31
PA (MBAR) ANSCHLUSSDRUCK	20	20	20 25	25.0	20	20	25	25	13	20	28...30 37	30	37	50
UM (DUSE MAX.)	245	245	200	245.0	245	245	245	245		245	140	140	130	140
ANSCHLUSSDRUCK	9.0	9.0	--	13.0	13.5	13.5	9.0	15.0		15.0	--	--	--	27
VERBRAUCH (M³/H)	1.534	1.534	1.534	1.745	1.745	1.745	1.534	1.782		1.872				
VERBRAUCH (Kg/H)											1.143	1.143	1.143	1.143
VERBRAUCH	AT	X												X
	BE			X							X			
	BG	X										X		
	CH	X									X			X
	CY	X									X	X		
	CZ	X									X			
	DE		X				X							X
	DK	X											X	
	EE	X											X	
	ES	X										X		
	FI	X											X	
	FR			X								X		
	GB	X										X		
	GR	X										X	X	
	HU							X	X				X	
	IE	X										X		
	IS												X	
	IT	X										X		
	LT	X										X	X	
	LU	X	X										X	
	LV	X											X	
	MT												X	
	NL		X		X								X	
	NO	X											X	
	PL		X								X			X
	PT	X										X		
	RO		X										X	
	SE	X											X	
	SI	X										X	X	
	SK	X										X	X	X
AL	X										X	X		
HR	X											X		
MK	X										X	X		
TR	X										X	X		

HEISLUFTDÄMPFER		10 x 1/1 GN - 600x400 12 x 1/1 GN - 600x400														
NOMINAL POWER (kW)	20.5	20.5	20.5	20.5	20.5	20.5	20.5	20.5	20.5	20.5	20.5	20.5	20.5	20.5	20.5	
KATEGORIE	2H	2E	2E+	2K	2L	2LL	2H	2S	2LW	2LS	3+	3B/P	3B/P	3B/P		
GASART	G20	G20	G20 G25	G25.3	G25	G25	G20	G25.1	G2.350	G27	G30 G31	G30 G31	G30 G31	G30 G31		
PA (MBAR) ANSCHLUSSDRUCK	20	20	20 25	25.0	20	20	25	25	13	20	28...30 37	30	37	50		
UM (DUSE MAX.)	280	280	240	280.0	280	280	280	280		280	140	140	130	140		
ANSCHLUSSDRUCK	10.0	10.0	--	14.5	14.5	14.5	10.0	16.0		16.0	--	--	--	28		
VERBRAUCH (M ³ /H)	2.169	2.169	2.169	2.467	2.523	1.292	2.169	2.519		2.646						
VERBRAUCH (Kg/H)											1.617	1.617	1.617	1.617		
VERBRAUCH	AT	X													X	
	BE			X							X					
	BG	X										X				
	CH	X									X				X	
	CY	X									X	X				
	CZ	X									X					
	DE		X				X									X
	DK	X											X			
	EE	X											X			
	ES	X										X				
	FI	X											X			
	FR			X								X				
	GB	X										X				
	GR	X										X	X			
	HU							X	X				X			
	IE	X										X				
	IS												X			
	IT	X										X				
	LT	X										X	X			
	LU	X	X										X			
	LV	X											X			
	MT												X			
	NL		X		X								X			
	NO	X											X			
	PL		X								X			X		
	PT	X										X				
	RO		X										X			
	SE	X											X			
	SI	X										X	X			
	SK	X										X	X		X	
AL	X										X	X				
HR	X											X				
MK	X										X	X				
TR	X										X	X				

1.9 ANSCHLUSS AN DIE GASLEITUNG

Der Geräteanschluss muss mit sichtbar verlegten festen Metallrohren aus verzinktem Stahl oder Kupfer durchgeführt werden.

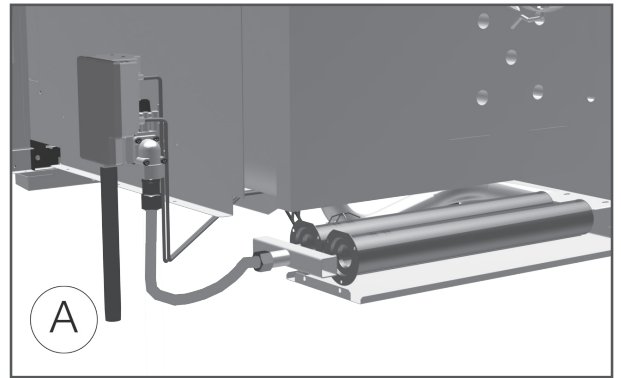
Nie Schläuche für den Anschluss des Ofens an die Gasleitung verwenden.

Das Gerät muss mit einem Absperrventil mit leicht zugänglicher Steuerung an die Gasleitung angeschlossen werden.

Der Anschluss zwischen Leitung und Gerät muss zwecks einfacher Montage mit einem dreiteiligen Metallanschluss erfolgen.

Die Dichtungen an den Gewinden müssen aus Materialien bestehen, die deren Hersteller auch ausdrücklich für Flüssiggas als geeignet kennzeichnen.

Das Gerät muss mit der geeigneten Gasart (siehe Tabelle "Technische Daten" und Seite 1.4) versorgt werden und ist für die am Typenschild angegebenen Gasart voreingestellt.



2.0 KONTROLLE GASLECKSTELLEN

Nach der Installation sicherstellen, dass kein Gas ausströmt. Dafür kann Seifenwasser mit einem Pinsel auf die Anschlüsse aufgetragen werden, wobei eine Blasenbildung das Austreten von Gas bedeutet.

2.1 UMSTELLUNG AUF EINE ANDERE GASART

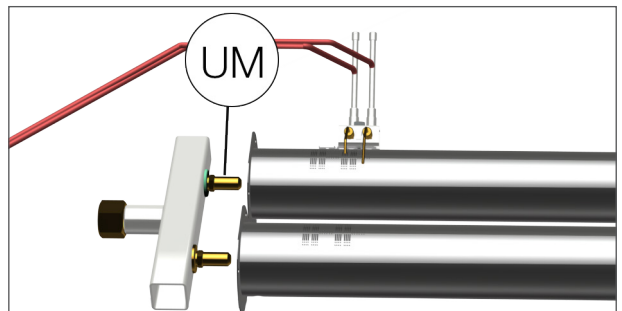
In der Tabellen 18A, B und C sind angegeben:

- welche Gasarten für den Gerätebetrieb in Frage kommen.
- die Düsen und die Einstellungen für jede der verwendbaren Gasarten.
- Die in Tabelle 18A für die Düsen angegebene Nummer ist am Düsenkorpus eingeprägt.

Zur Anpassung des Geräts an die Gasart, mit der es effektiv betrieben wird, die Anweisungen von Tabelle TAB1 befolgen und die nachstehenden Eingriffe vornehmen:

- Die Düse des Hauptbrenners ersetzen (UM).
- Versehen Sie das Gerät mit dem auf den neuen Gasbetrieb hinweisenden Aufkleber.

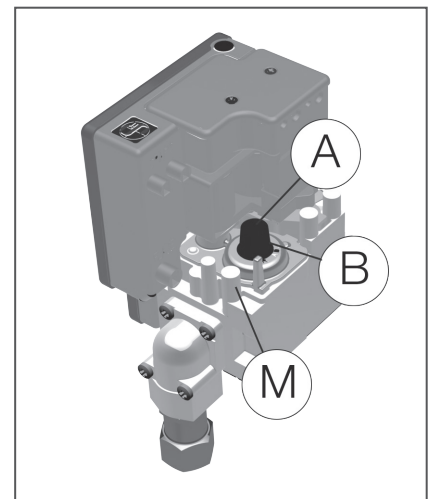
Düsen und Aufkleber sind im Lieferumfang des Geräts einbe-griffen.



2.1A PRÜFUNG DES GASVERSORGUNGSDRUCKS

Verwenden Sie einen Druckmesser mit 0,1mbar Mindestauflösung. Entfernen Sie die Halteschraube vom Druckanschluss und schließen Sie den Druckmesser an. Nehmen Sie die Messung bei Gerätebetrieb vor.

ACHTUNG! SOLLTE DER GASVERSORGUNGSDRUCK AUßERHALB DES BEREICHS DER GRENZWERTE (MIN. - MAX.) VON TABELLE 18A LIEGEN, MÜSSEN SIE DEN GERÄTEBETRIEB UNTERBRECHEN UND MIT DEM GASWERK RÜCKSPRACHE NEHMEN.



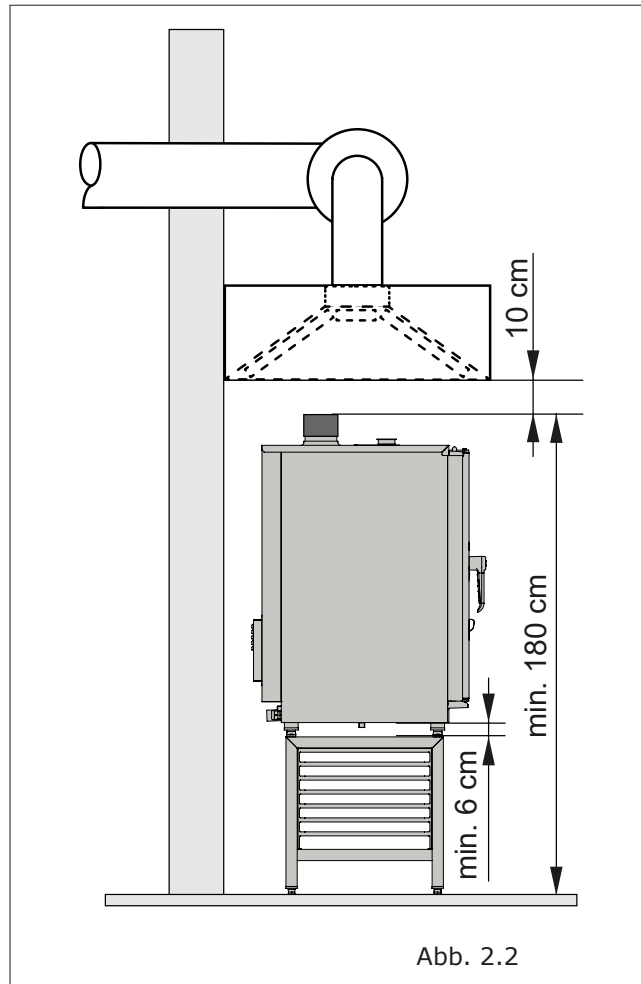
2.2 ANSCHLUSS AN DEN KAMIN (GASBEHEIZTE ÖFEN)

Die Geräte sind mit einem Kamin für die Abgasleitung ausgestattet, der entsprechend den Installationsnormen nach einer der beiden Abbildungen 2.2 angeschlossen werden muss.

Forcierte Abgasleitung Typ A1 (Abb. 2.2)

Das Gerät ist vom Typ A1. Es muss in ausreichend belüfteten Räumen installiert werden, um zu verhindern, dass in dem Raum, in dem das Gerät installiert wird, inakzeptable Konzentrationen von gesundheitsschädlichen Stoffen auftreten können, die gemäß den geltenden nationalen und lokalen Gesetzen und Vorschriften hergestellt werden. Die Durchflussmenge eines direkt an die Außenumgebung angeschlossenen Luftansauggeräts beträgt 35 m³/h für jede installierte kW Gasleistung.

Das Gerät muss in ausreichend belüfteten Räumen installiert werden, um den für die Verbrennung erforderlichen Luftstrom gemäß den geltenden nationalen und lokalen Gesetzen und Vorschriften zu gewährleisten.



2.3 WASSERMERKMALE

Die Wasserversorgung muss für den Menschengebrauch geeignet ist und das die folgenden Merkmale hat:

Temperatur: muß zwischen 15 und 20°C liegen

Wasserhärte: Diesem Gerät muß Wasser zugeführt werden, dass eine Härte von 4 bis 12 französischen Grad aufweist.

Es wird empfohlen einen Entkalkter dem Gerät beizugeben, damit der Härtegrad des Wassers zwischen diesen Werten liegt. Wird Wasser mit höherem Härtegrad verwendet, entstehen innerhalb kurzer Zeit Kalkablagerungen auf den Garraumwänden.

Wasserdruck: zwischen 150 und 250 KPa (1,5 – 2,5 bar).

ACHTUNG. Höhere Drücke führen zu übermäßigem Wasserverbrauch und können wichtige Komponente beschädigen.

Maximale Chlorid konzentration (Cl⁻): unter 150 mg/Liter.

Chlorkonzentration (Cl₂): unter 0.2 mg/Liter.

pH: über 7

Leitfähigkeit des Wassers: von 50 bis 2000 µS/cm.

Achtung: Die Verwendung anderer Wasseraufbereitungssysteme als das von der Herstellerfirma gelieferte ist unzulässig und führt zum vollständigen Verfall der Garantie. Der Einsatz von Geräten zur Dosierung von Mitteln zur Vermeidung von Ablagerungen in den Rohrleitungen (z.B. Polyphosphat Dosierter) ist ebenfalls untersagt, da diese die einwandfreie Funktion der Maschine beeinträchtigen können.

2.4 TECHNISCHE DATEN FÜR DIE WASSERLEITUNG

	4-5 trays	6-7 trays	10-12 trays
Durchflussmengenregler Kombibetrieb.	Ø 0.4 mm	Ø 0.4 mm	Ø 0.5 mm
Durchflussmengenregler Dampfbetrieb.	Ø 0.55 mm	Ø 0.6 mm	Ø 0.6 mm

2.5 ANSCHLUSS ANS WASSERNETZ – WASSERZUFUHR

Die Öfen haben auf der rechten Seite 2 Wassereinlasskupplungen.
Es ist notwendig, beide zu verbinden.

Zwischen dem Gerät und dem Wasserversorgungsnetz muss ein leicht zugängliches Absperrventil zwischen geschaltet werden. Außerdem ist es ratsam, in der Wasserzuleitung einen Filter mit Einsatz zu montieren.
Immer einen neuen Satz von Wasserverbindungen verwenden; eventuelle alten Wasserverbindungen sollen nicht verwendet sein. Der Anschluss ans Wassernetz muss immer mit kaltem Wasser und steifen Röhren folgen.

Nie Schläuche für den Anschluss ans Wassernetz verwenden.

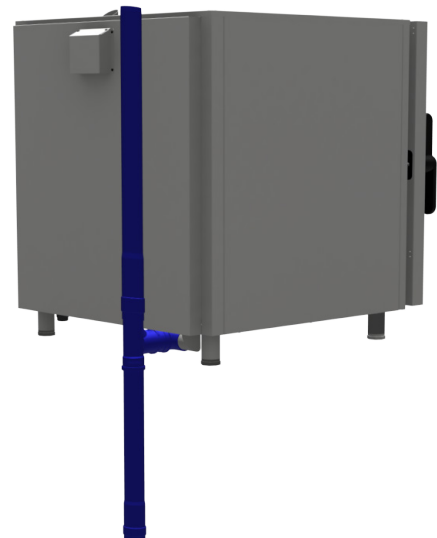


2.6 ANSCHLUSS AN DAS WASSERNETZ – WASSERABLAUF

Die Backöfen sind auf der Rückseite mit einem Wasserablauf ausgerüstet; sodass der Wasseranschluss direkt am Edelstahl-Ablaufrohr vorgenommen werden muss.

Der Ablauf darf keinen Siphon haben und muss aus bis zu 110°C hitzebeständig, unbiegsamen Rohren hergestellt werden.

Der Durchmesser des Ablaufrohrs darf auf keinen Fall verringert werden und die Rohrleitung muss für den atmosphärischen Druck geeignet und mit der notwendigen trichterförmigen Luftansaugung ausgestattet sein. Eine eventuelle Verstopfung des Ablaufrohrs kann einen Dampfaustritt aus der Tür und eine Geruchbildung im Garraum zur Folge haben.



3.0 KONTROLL UND SICHERHEITSAUTOMATISMEN

Die Backöfen sind mit einer Reihe von automatischen Kontroll- und Sicherheitsvorrichtungen für Strom- und Wasserkreise ausgerüstet.

3.0A Schmelzsicherung 2A: ist in den Hilfsstromkreis eingebaut, um die elektrische Anlage vor einem Kurzschluss zu sichern und befindet sich im dafür vorgesehenen Träger am Befestigungsbügel der Kontaktgeber.

3.0E Sicherheitsthermostat Garraum: hat die Funktion, bei erhöhten Temperaturen im Garraum die Gaszufuhr zu unterbrechen. Die Rückstellung des Thermostats muss manuell erfolgen, nachdem die Ursachen, die zur Überhitzung geführt haben, behoben worden sind.

3.0F Türmikroschalter: unterbricht den Backofenbetrieb, jedes Mal, wenn die Tür geöffnet wird.

3.0L Gas-Sicherheitsventil: das Ventil ist mit einer Elektronikkontrolle ausgestattet, die den Gasfluss bei fehlendem Zünden der Brenner binnen 10" unterbricht. Die Brenner können nach der manuellen Rückstellung der Elektronikkontrolle über Druckknopf (A) unter der Bedienblende wieder gezündet werden.

3.1 AUSTAUSCH DER ERSATZTEILE

Die Ersetzung von beschädigten Teilen muss unbedingt mit Fachpersonal folgen. Um dem Hersteller nach Ersatzteilen zu fragen, muss man immer das genaue Ofensmodell und die Seriennummer mitteilen.

Diese Daten finden Sie auf der Etikette Technische Daten auf der rechten Seite des Ofens (Absatz 1.4). Bevor die Ersatzteile ausgetauscht werden, muss aus Sicherheitsgründen der elektrische Schutzschalter ausgeschaltet und das Wassersperrventil, geschlossen werden.

3.2 KONTROLLE DER FUNKTIONEN

Wenn die Installation fertig ist, muss man überprüfen daß alle Röhre wassergeprüft und eventuell gasgeprüft sind. **Der Installateur muss den regelmäßigen Betrieb des Ofens kontrollieren, dem Kunden die notwendigen Hinweisungen erteilen und ihm auch die Bedienungsanleitungen geben, die er gewissenhaft folgen muss.**



Die seitige Etikette ISO 3864-1 muss auf eine sichtbare Oberfläche aufgeklebt werden, auf eine Höhe von 1.6 Mt vom Boden. Auf Tischmodelle ist die Etikette schon in der geeigneten Position aufgeklebt. Auf Standgeräte wird die Etikette zusammen mit Ofenunterlagen geliefert; sie muss nach der Installation auf eine sichtbare Oberfläche auf eine Höhe von 1.6 Mt vom Boden aufgeklebt werden. Der Installateur muss den regelmäßigen Betrieb des Ofens kontrollieren, dem Kunden die notwendigen Hinweisungen erteilen und ihm auch die Bedienungsanleitungen geben, die er gewissenhaft folgen muss.

WICHTIG: Bevor der Benutzer den Ofen einschaltet und einen Gar-oder Waschzyklus einstellt, ist es notwendig der Installateur oder ein Fachtechniker überprüft dass alle Verbindungen in Ordnung sind gemäß der Bedienanleitungen. Der Techniker oder der Installateur müssen das folgende überprüfen:

- Der Ofen muss stehen (waagrecht) und an einem Untergestell oder Regal setzen, um stabil zu sein.
- Elektroanschlüsse müssen gemäß der Richtlinien sein und der Querschnitt der Anschlusskabeln soll nicht kleiner als den in den Bedienungsanleitungen sein.
- Druck und Härte des Wassers, das den Ofen versorgt müssen die Werte der Bedienungsanleitung entsprechen;
- Im Fall der Ofen mit Ablauf ausgestattet ist, soll er korrekt installiert werden und die Materialien die Betriebstemperaturen widerstehen.

Nachdem Sie alles überprüft haben, den Wasserabsperrventil und der Schutzschalter, alle rückwärts montiert. Der Installateur muss den regelmässigen Betrieb des Ofens überprüfen und dem Benutzer den notwendigen Bedienanleitungen geben.

AVANT-PROPOS

Le contenu de ce manuel est générique et pas toutes les fonctionnalités décrites peuvent être inclus dans votre produit.

Le fabricant décline toute responsabilité pour toute inexactitude contenue dans cette brochure en raison d'erreurs d'impression ou des erreurs involontaires. Nous nous réservons le droit d'apporter des modifications à ses produits comme elle le juge nécessaire ou utile, sans compromettre les caractéristiques essentielles. Lire la notice avec attention et faire particulièrement attention aux normes concernant les dispositifs de sécurité. Cet appareil ne devra être destiné qu'à l'emploi pour lequel il a été expressément construit, c'est-à-dire pour la cuisson des plats et pour la régénération des denrées précuites et/ou réfrigérées.

INSTRUCTION POUR L'UTILISATION ET L'ENTRETIEN

Indiquez que cet appareil est exclusivement destiné à une utilisation professionnelle et qu'il doit être utilisé que par du personnel qualifié.

Notez que les pièces protégées par le constructeur ou son agent ne doivent pas être réglées par l'utilisateur.

ATTENTION! Avant d'effectuer tout type de connexion de cet équipement (électrique ou hydraulique), lire attentivement les instructions de ce manuel. Cette notice devrait rester avec soin afin d'être disponible pour toute référence ultérieure aux utilisateurs ou techniciens d'entretien.

L'installation doit être effectuée exclusivement par du personnel qualifié.

1.0 DÉCLARATION DE CONFORMITÉ

Le constructeur déclare que les appareils sont conformes aux normes CEE.

L'installation devra être effectuée en respectant les normes en vigueur, notamment celles concernant l'aération des locaux.

Attention: Le constructeur décline toute responsabilité en cas de dommages dérivant d'une utilisation incorrecte, d'une installation erronée et d'une mauvaise maintenance.

1.1 DIRECTIVE EUROPÉENNE ROHS 2012/19/UE

Cet appareil porte le symbole du recyclage conformément à la Directive Européenne 2012/19/UE concernant les Déchets d'Équipements Électriques et Électroniques (DEEE ou WEEE). En procédant correctement à la mise au rebut de cet appareil, vous contribuerez à empêcher toute conséquence nuisible pour l'environnement et la santé de l'homme.



Le symbole présent sur l'appareil ou sur la documentation qui l'accompagne indique que ce produit ne peut en aucun cas être traité comme déchet ménager.

Il doit par conséquent être remis à un centre de collecte des déchets chargé du recyclage des équipements électriques et électroniques. Pour la mise au rebut, respectez les normes relatives à l'élimination des déchets en vigueur dans le pays d'installation.

Pour obtenir de plus amples détails au sujet du traitement, de la récupération et du recyclage de cet appareil, veuillez vous adresser au bureau compétent de votre commune, à la société de collecte des déchets ou directement à votre revendeur.

1.3 TRANSPORT DU FOUR ET ELIMINATION DE L'EMBALLAGE

À la réception du four et avant l'installation, vérifiez que l'emballage est intact et qu'il n'y a pas des dommages visibles. Vérifier qu'avec le four, il n'y a pas aucune documentation, consistant en :

- notice d'installation, utilisation et entretien
- Fiche pour la correcte installation du four
- Schéma électrique
- Étiquette ISO 3864-1

Avant de transporter le four jusqu'à la place de l'installation vérifier que :

- Les portes sont assez grandes pour permettre le passage du four.
- Le plancher support le poids.

Selon le modèle du four, ses dimensions et son poids, utiliser pour la movimentation pendant le transport et avant l'installation équipement, qui garantisse stabilité pour éviter chutes, renversements ou mouvements non contrôlés de l'appareil ou de ses composantes.

Conserver l'emballage jusqu'au lieu où le four sera installé.

L'emballage aide la movimentation de la marchandise et protège le four des chocs accidentels.

Pendant le déménagement et l'installation du four, l'installateur doit respecter les normes de prévention des accidents en vigueur sur le lieu d'installation (utilisation des chaussures de sécurité et gants etc.). Enlever l'emballage en prenant soin de ne pas endommager le four. Le film adhésif qui protège les surfaces en acier inox peut être enlevé même après la mise en place au-dessus du support correspondant, ou sur la surface d'appui.



ATTENTION. Matériaux d'emballage et films adhésifs sont potentiellement dangereux.

Pour cette raison ils doivent être gardés hors de portée des enfants et éliminés en conformité avec les réglementations locales.

Vous devez séparer les matériaux d'emballage (bois, carton, plastique...) et les jeter séparément, dans le respect de la réglementation applicable au site d'installation.

Avant de mettre en marche l'appareil, enlever les films de protection sur les parties en acier inox, en évitant d'utiliser des substances abrasives et/ou des objets métalliques.

Effacer tout résidu d'adhésif à l'aide d'une éponge imbibée du solvant. Si le four est chauffé sans avoir éliminé le film adhésif, l'enlèvement du film et le nettoyage des résidus de colle sera beaucoup plus difficile.

INSTRUCTION POUR L'INSTALLATION ET LE REGLAGE

La méthode de connexion doit être celle en vigueur dans le pays où l'appareil doit être installé;

Pour les appareils de type A, les instructions doivent indiquer que ces appareils doivent être installés avec une ventilation suffisante pour éviter la formation de concentrations inacceptables de substances nocives pour la santé dans la salle où ils sont installés;

Les instructions comprennent un schéma électrique du four et la référence pour le raccordement au conduit de fumée.

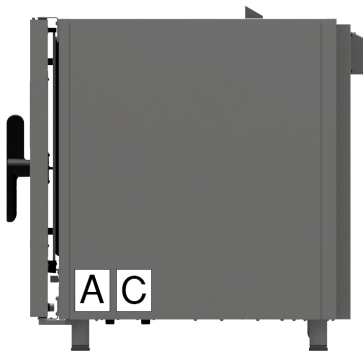
Les instructions indiquent également la nécessité d'installer l'appareil dans une salle correctement ventilée.

Les instructions indiquent également le débit d'air nécessaire à la combustion, en précisant la nécessité d'installer l'appareil dans une salle correctement ventilée et conforme aux dispositions en vigueur.

(2 m³/h pour chaque kW installé aux fins de combustion, 34 m³/h pour chaque kW installé aux fins du bien-être de l'utilisateur).

1.4 ETIQUETTES INFORMATIVES

Dans chaque four s'appliquent certaines étiquettes métalliques, qui donnent des renseignements importants concernant les caractéristiques du four, le branchement électrique et hydraulique et par la suite le branchement à la purge.



La plaque A est apposée sur le côté droit.

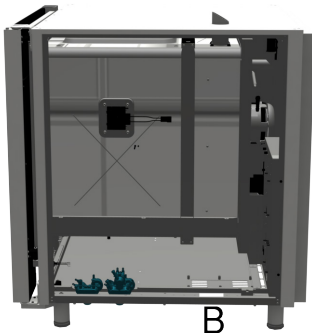
Les renseignements contenus dans cette plaque sont les suivantes:

- Nom et adresse du constructeur
- Modèle du four
- Protection IPX contre les liquides
- La puissance absorbée et le type d'alimentation (monophasé ou triphasé)
- Numéro de série du four
- Symbole de la directive européenne

Près du connecteur pour le branchement de l'eau, est appliquée la plaque C. La plaque C indique les caractéristiques de l'eau nécessaires pour un correct fonctionnement du four.

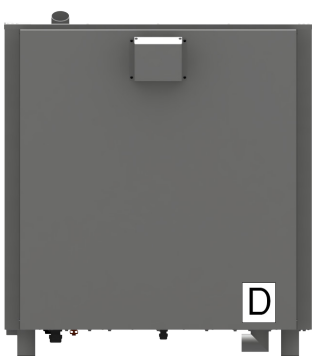
Les mêmes caractéristiques sont énoncées au paragraphe 2.4 du présent manuel.

En enlevant le panneau derrière, sur la base du four est appliquée la plaque B.



Sur cette plaque le numéro de série du four est répété.

Dans cette façon, le client ou l'installateur peuvent connaître le numéro de série du four même si la plaque A est sale ou endommagée.



Close to the drain there is the label D, containing info concerning drain connection.

INSTALLATION

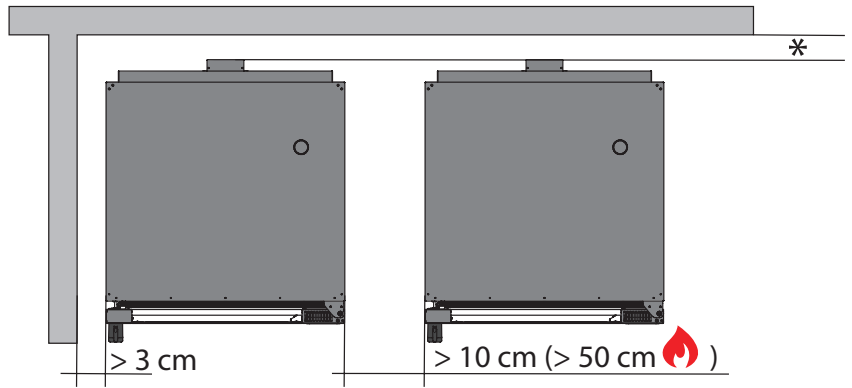
1.5 POSITIONNEMENT DU FOUR

L'établissement où sera installé le four doit être conforme aux exigences suivantes:

- Être protégés contre les agents atmosphériques et de procéder à un échange d'air;
- Conformer aux règlements concernant la sécurité au travail.
- Avoir une température entre 5°C et 35°C avec un pourcentage d'humidification jusqu'à 70%.

Positionner le four et procéder à la mise à niveau à l'aide des pieds réglables.

Il doit rester un espace minimum de 6 cm entre le fond du four et le plan d'appui des pieds.



*Maintenir une distance postérieure suffisante afin que l'étiquette de la borne equipotentielle soit visible facilement quand l'appareil est installé. La même borne doit être accessible pour l'installation du câble equipotential quand le four a été installé selon les instructions indiqués. Placer l'appareil de façon à permettre l'accès du côté droit pour les opérations d'installation, entretien et assistance technique.

TRES IMPORTANTE: le four doit être placé au-dessus d'une surface ignifuge. Si ce n'est pas le cas, placez une feuille d'acier inoxydable ou autres matériaux ignifuges entre le four et la surface d'appui.

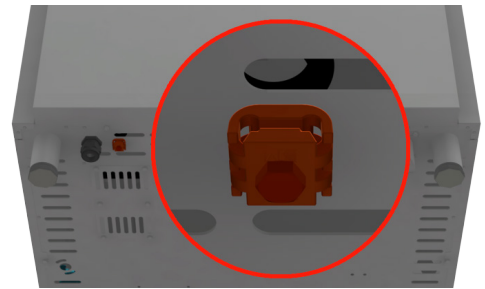
1.6 RACCORDEMENT ÉLECTRIQUE

L'appareil fourni est prédisposé pour fonctionner à la tension indiquée sur la plaquette signalétique placée sur le côté droit de l'appareil.

L'appareil doit être placé dans un système équipotentiel, dont l'efficacité doit être conforme à la réglementation en vigueur.

Le branchement doit être effectué par le biais de la vis qui se trouve à l'arrière du four, marquée avec le sigle **EQUIPOTENTIAL**.

Le Constructeur décline toute responsabilité au cas où cette norme importante concernant la prévention des accidents ne sera pas respectée.



1.7 TABLEAU DES DONNEES TECHNIQUES BRANCHEMENT ÉLECTRIQUE

Modèle	Puissance absorbée et voltage	n° et puissance moteur	Puissance de chauffe	Courant absorbé	Section câble alimentation
4 x 1/1 GN- 60x40 Électrique 5 x 1/1 GN- 60x40 Électrique	6.5 kW 380 - 415 V 3N~ 50 Hz Analog 50/60 Hz Touch	2 x 240 W	6.0 kW	10.0 A	5 x 2.5 mm ²
6 x 1/1 GN- 60x40 Électrique 7 x 1/1 GN- 60x40 Electric	11.6 kW 380 - 415 V 3N~ 50 Hz Analog 50/60 Hz Touch	2 x 240 W	11.0 kW	18.0 A	5 x 4.0 mm ²
10 x 1/1 GN- 60x40 Électrique 12 x 1/1 GN- 60x40 Électrique	17.3 kW 380 - 415 V 3N~ 50 Hz Analog 50/60 Hz Touch	3 x 240 W	16.5 kW	26.0 A	5 x 6.0 mm ²
4 x 1/1 GN- 60x40 Gas 5 x 1/1 GN- 60x40 Gas	0.3 kW 220 - 240 V 1N~ 50 Hz Analog 50 Hz Touch	1 x 240 W	--	1.2 A	3 x 1.5 mm ²
6 x 1/1 GN- 60x40 Gas 7 x 1/1 GN- 60x40 Gas	0.3 kW 220 - 240 V 1N~ 50 Hz Analog 50 Hz Touch	1 x 240 W	--	1.2 A	3 x 1.5 mm ²
10 x 1/1 GN- 60x40 Gas 12 x 1/1 GN- 60x40 Gas	0.6 kW 220 - 240 V 1N~ 50 Hz Analog 50 Hz Touch	2 x 240 W	--	2.4 A	3 x 1.5 mm ²

1.8 DONNEES TECHNIQUES DE GAZ

FOUR	4 x 1/1 GN - 600x400 5 x 1/1 GN - 600x400													
PUISSANCE NOMINALE (kW)	10.5	10.5	10.5	10.5	10.5	10.5	10.5	10.5	10.5	10.5	10.5	10.5	10.5	10.5
CATÉGORIE	2H	2E	2E+	2K	2L	2LL	2H	2S	2LW	2LS	3+	3B/P	3B/P	3B/P
TYPE DE GAZ	G20	G20	G20 G25	G25.3	G25	G25	G20	G25.1	G2.350	G27	G30 G31	G30 G31	G30 G31	G30 G31
PA (MBAR) PRESSION DE GAZ	20	20	20 25	25.0	20	20	25	25	13	20	28...30 37	30	37	50
UM (BUSE MAX)	215	215	170R	215.0	215	215	215	215		215	120	120	110	120
REGULATION DE PRESSION	9.0	9.0	--	13.0	13.5	13.5	9.0	14.5		15.0	--	--	--	28
CONSOMMATION (M ³ /H)	1.111	1.111	1.111	1.263	1.292	1.292	1.111	1.290		1.355				
CONSOMMATION (Kg/H)											0.828	0.828	0.828	0.828
CONSOMMATION	AT	X												X
	BE			X							X			
	BG	X										X		
	CH	X									X			X
	CY	X									X	X		
	CZ	X									X			
	DE		X				X							X
	DK	X											X	
	EE	X											X	
	ES	X										X		
	FI	X											X	
	FR			X								X		
	GB	X										X		
	GR	X										X	X	
	HU							X	X				X	
	IE	X										X		
	IS												X	
	IT	X										X		
	LT	X										X	X	
	LU	X	X										X	
	LV	X											X	
	MT												X	
	NL		X		X								X	
	NO	X											X	
	PL		X								X			X
	PT	X										X		
	RO		X										X	
	SE	X											X	
SI	X										X	X		
SK	X										X	X	X	
AL	X										X	X		
HR	X											X		
MK	X										X	X		
TR	X										X	X		

FOUR	6 x 1/1 GN - 600x400 7 x 1/1 GN - 600x400													
PUISSANCE NOMINALE (KW)	14.5	14.5	14.5	14.5	14.5	14.5	14.5	14.5	14.5	14.5	14.5	14.5	14.5	14.5
CATÉGORIE	2H	2E	2E+	2K	2L	2LL	2H	2S	2LW	2LS	3+	3B/P	3B/P	3B/P
TYPE DE GAZ	G20	G20	G20 G25	G25.3	G25	G25	G20	G25.1	G2.350	G27	G30 G31	G30 G31	G30 G31	G30 G31
PA (MBAR) PRESSION DE GAZ	20	20	20 25	25.0	20	20	25	25	13	20	28...30 37	30	37	50
UM (BUSE MAX)	245	245	200	245.0	245	245	245	245		245	140	140	130	140
REGULATION DE PRESSION	9.0	9.0	--	13.0	13.5	13.5	9.0	15.0		15.0	--	--	--	27
CONSOMMATION (M³/H)	1.534	1.534	1.534	1.745	1.745	1.745	1.534	1.782		1.872				
CONSOMMATION (Kg/H)											1.143	1.143	1.143	1.143
CONSOMMATION	AT	X												X
	BE			X							X			
	BG	X										X		
	CH	X									X			X
	CY	X									X	X		
	CZ	X									X			
	DE		X				X							X
	DK	X											X	
	EE	X											X	
	ES	X										X		
	FI	X											X	
	FR			X								X		
	GB	X										X		
	GR	X										X	X	
	HU							X	X				X	
	IE	X										X		
	IS												X	
	IT	X										X		
	LT	X										X	X	
	LU	X	X										X	
	LV	X											X	
	MT												X	
	NL		X		X								X	
	NO	X											X	
	PL		X								X			X
	PT	X										X		
	RO		X										X	
	SE	X											X	
	SI	X										X	X	
	SK	X										X	X	X
AL	X										X	X		
HR	X											X		
MK	X										X	X		
TR	X										X	X		

FOUR	10 x 1/1 GN - 600x400 12 x 1/1 GN - 600x400													
PUISSANCE NOMINALE (kW)	20.5	20.5	20.5	20.5	20.5	20.5	20.5	20.5	20.5	20.5	20.5	20.5	20.5	20.5
CATÉGORIE	2H	2E	2E+	2K	2L	2LL	2H	2S	2LW	2LS	3+	3B/P	3B/P	3B/P
TYPE DE GAZ	G20	G20	G20 G25	G25.3	G25	G25	G20	G25.1	G2.350	G27	G30 G31	G30 G31	G30 G31	G30 G31
PA (MBAR) PRESSION DE GAZ	20	20	20 25	25.0	20	20	25	25	13	20	28...30 37	30	37	50
UM (BUSE MAX)	280	280	240	280.0	280	280	280	280		280	140	140	130	140
REGULATION DE PRESSION	10.0	10.0	--	14.5	14.5	14.5	10.0	16.0		16.0	--	--	--	28
CONSOMMATION (M ³ /H)	2.169	2.169	2.169	2.467	2.523	1.292	2.169	2.519		2.646				
CONSOMMATION (Kg/H)											1.617	1.617	1.617	1.617
CONSOMMATION	AT	X												X
	BE			X							X			
	BG	X										X		
	CH	X									X			X
	CY	X									X	X		
	CZ	X									X			
	DE		X				X							X
	DK	X											X	
	EE	X											X	
	ES	X										X		
	FI	X											X	
	FR			X								X		
	GB	X										X		
	GR	X										X	X	
	HU							X	X				X	
	IE	X										X		
	IS												X	
	IT	X										X		
	LT	X										X	X	
	LU	X	X										X	
	LV	X											X	
	MT												X	
	NL		X		X								X	
	NO	X											X	
	PL		X								X			X
	PT	X										X		
	RO		X										X	
	SE	X											X	
SI	X										X	X		
SK	X										X	X	X	
AL	X										X	X		
HR	X											X		
MK	X										X	X		
TR	X										X	X		

1.9 RACCORDEMENT À L'INSTALLATION GAZ

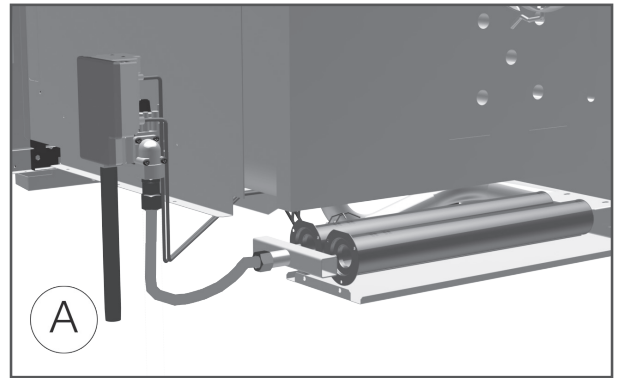
Le raccordement de l'appareil doit être effectué par des tubes métalliques rigides, en acier galvanisé ou en cuivre, bien placés en vue.

Pas utiliser des tubes flexibles pour le raccordement à l'installation gaz.

L'appareil doit être raccordé à l'installation d'alimentation du gaz, par un robinet d'arrêt, avec une commande qui doit être activée facilement. Le raccordement entre la conduite et l'appareil doit être réalisé par un joint métallique à trois pièces, pour en faciliter le démontage.

L'étanchéité sur les filets de jonction doit être assurée par des matériaux déclarés conformes pour l'usage par leur fabricant, et ceci également pour les gaz GPL.

L'appareil doit être alimenté par le type de gaz prévu pour l'installation (voir tableau Données techniques et l'étiquette A au paragr. 1.4).



2.0 CONTRÔLE DE FUITE DE GAZ

À installation terminée, contrôler qu'il n'y ait aucune fuite de gaz dans l'ambiance.

Le contrôle peut être fait en mettant des couches d'eau savonneuse sur les joints et sur les raccords; la formation de bulle indique la fuite de gaz.

2.1 TRANSFORMATION AUX DIFFÉRENTS TYPES DE GAZ

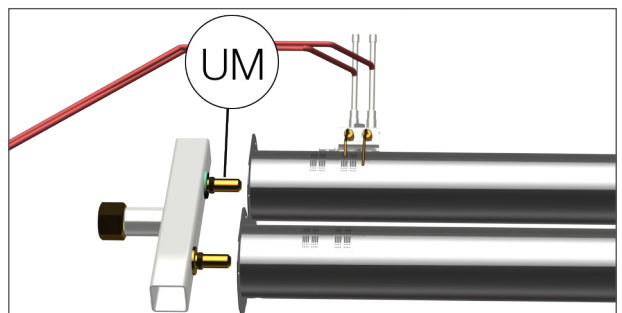
Le tableaux 18A, B et C indiquent:

- les gaz pouvant être utilisés pour le fonctionnement de l'appareil.
- les injecteurs et les réglages pour chaque gaz pouvant être utilisé.
- Pour les injecteurs, le nombre indiqué dans le tableau 18A est estampillé sur le corps de l'injecteur.

Pour adapter l'appareil au type de gaz qui l'alimentera, suivre les instructions du tableau 18A et effectuer les opérations ci dessous:

- Remplacer l'injecteur du brûleur principal (UM).
- Apposer la plaquette adhésive indiquant le nouveau type de gaz utilisé sur l'appareil.
- Les injecteurs et les plaquettes adhésives sont livrés avec l'appareil.

Après adaptation à un autre type de gaz ou maintenance, vérifiez le fonctionnement du four.



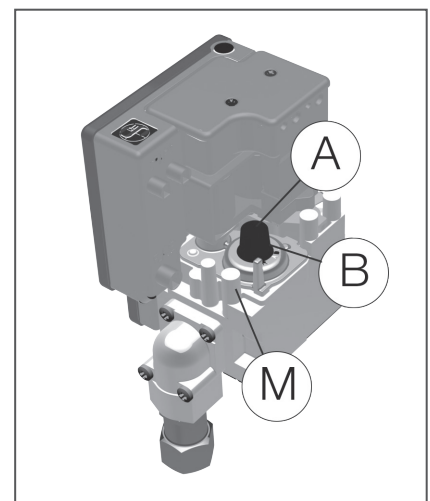
2.1A VÉRIFICATION DE LA PRESSION D'ALIMENTATION DU GAZ

Utiliser un manomètre d'une précision égale ou supérieure à 0,1 mbar.

Enlever la vis d'étanchéité de la prise de pression M et relier le manomètre.

Effectuer la mesure avec l'appareil en marche.

ATTENTION! SI LA PRESSION D'ALIMENTATION DU GAZ NE RENTRE PAS DANS LES VALEURS LIMITES (MIN. - MAX) INDIQUÉES DANS LE TABLEAU 18C, INTERROMPRE LE FONCTIONNEMENT DE L'APPAREIL ET CON-TACTER LA SOCIÉTÉ DE DISTRIBUTION DE GAZ.



2.2 RACCORDEMENT AU CONDUIT DE CHEMINÉE (FOURS A GAZ)

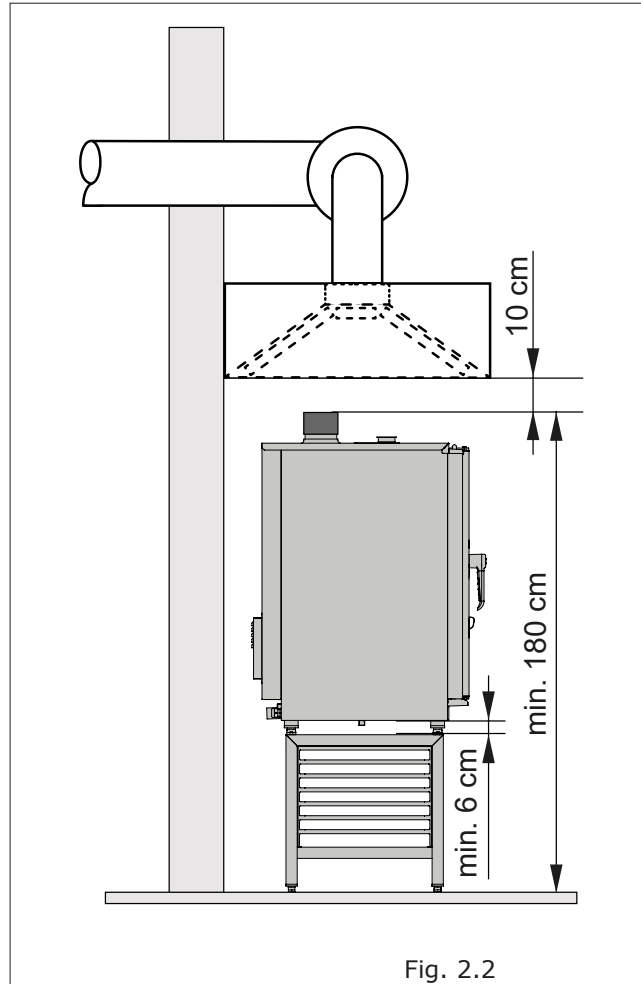
Les appareils sont équipés d'un conduit de cheminée pour l'évacuation des produits de combustion, qui doit être raccordé selon une des modalités illustrée aux figure 2.2, prévues par les normes d'installation.

Évacuation forcée des fumées modèle A1: (Fig. 2.2)

L'appareil est du type A1. Il doit être installé dans des locaux suffisamment ventilés pour éviter la possibilité de concentrations inacceptables de substances nocives pour la santé dans le local où l'appareil est installé, conformément aux lois et réglementations nationales et locales en vigueur.

A titre indicatif, le débit d'un aspirateur connecté directement à l'environnement extérieur est de 35 m³/h pour chaque kW de puissance de gaz installée.

L'appareil doit être installé dans des locaux suffisamment ventilés pour assurer le flux d'air nécessaire à la combustion, conformément aux lois et réglementations nationales et locales en vigueur.



2.3 CARACTÉRISTIQUES DE L'EAU

L'eau d'alimentation doit être apte à la consommation humaine et doit avoir les caractéristiques suivantes:

Température: comprise entre 15 – 20°C

Dureté de l'eau: comprise entre 4° et 8° Français, nous conseillons vivement d'installer toujours un adoucisseur en amont de l'appareil afin de maintenir la valeur de dureté de l'eau entre ces valeurs.

Le fonctionnement du four avec une eau de dureté supérieure pourrait entraîner la formation d'incrustations de calcaire sur les parois de l'enceinte du four.

Pression de l'eau d'alimentation: comprise entre 150 et 250 KPa (1,5 – 2,5 bar).

Attention. Une pression plus élevée implique une dépense d'eau inutile et peut compromettre le bon fonctionnement de composantes.

Concentration maximale en chlorures (Cl⁻): inférieure à 150 mg/litre.

Concentration en Chlore (Cl₂): inférieure à 0.2 mg/litre

pH: supérieure à 7.

Conductibilité de l'eau: 50 à 2000 µS/cm.

Attention: L'utilisation de dispositifs de traitement de l'eau autres que ceux prescrits par le constructeur est interdite sous peine de chute immédiate de la garantie. Les dispositifs de dosage des produits détartrants dans les conduites (exemple doseurs de poly phosphates) sont également interdits car ils risquent de compromettre le fonctionnement correct de la machine.

2.4 DONNÉES TECHNIQUES RESEAU D'EAU

	4-5 trays	6-7 trays	10-12 trays
Réglage débit eau cycle mixte.	Ø 0.4 mm	Ø 0.4 mm	Ø 0.5 mm
Réglage débit eau cycle vapeur.	Ø 0.55 mm	Ø 0.6 mm	Ø 0.6 mm

2.5 RACCORDEMENT HYDRAULIQUE - ARRIVÉE D'EAU

Les fours ont 2 raccords d'entrée d'eau sur le côté droit.

Il est nécessaire de connecter les deux;

Il faudra toujours installer entre l'appareil et le réseau hydraulique un robinet d'arrêt avec commande facilement accessible; en outre, il est vivement conseillé de monter un filtre à cartouche sur la conduite d'arrivée d'eau. **Toujours utiliser un set de joints hydrauliques nouveaux, les vieux joints ne doivent pas être réutilisés.**

Le raccordement hydraulique doit toujours être effectué avec de l'eau froide et tuyaux rigides.

Pas utiliser des tubes flexibles pour raccorder le four au réseau hydraulique.



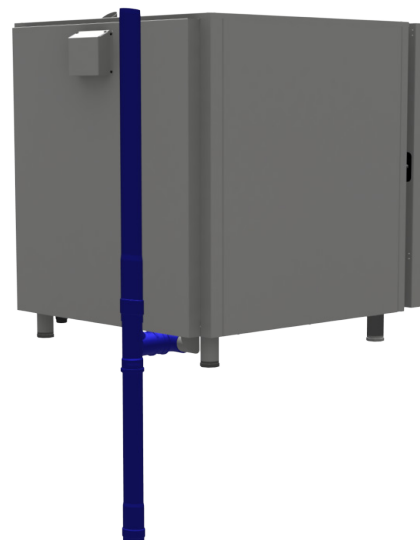
2.6 RACCORDEMENT HYDRAULIQUE – VIDANGE D'EAU

Le raccordement hydraulique doit être effectué directement sur l'extrémité du tuyau de vidange en acier inox.

Le système de vidange ne doit pas avoir de siphon et doit être réalisé avec des tuyaux rigides et résistants à une température de 110°C.

Le diamètre du tuyau de vidange ne peut pas être réduit et il est absolument nécessaire que le raccordement au conduit soit à pression atmosphérique, avec une adéquate prise d'air à entonnoir.

L'obstruction du tuyau de vidange peut provoquer une sortie de vapeur par la porte du four et des mauvaises odeurs à l'intérieur de l'enceinte de cuisson.



3.0 ORGANES DE CONTRÔLE ET DE SÉCURITÉ

Les fours sont équipés d'une série d'organes de contrôle et de sécurité des circuits électriques et hydrauliques.

3.0A Fusible de 2A : il se trouve dans le circuit auxiliaire afin d'éviter tout court-circuit dans l'installation électrique et il est logé sur le support placé sur la bride des contacteurs.

3.0E Thermostat de sécurité enceinte de cuisson: il déconnecte les résistances électriques sur les modèles électriques ou bien coupe l'arrivée du gaz sur les modèles gaz en cas d'anomalies dues à une surchauffe. Le réarmement devra se faire manuellement après avoir vérifié les causes qui ont provoqué l'intervention du thermostat.

3.0F Détecteur magnétique ouverture de la porte: il interrompt le fonctionnement du four lorsqu'on ouvre la porte.

3.0L Soupape de sécurité du gaz: la soupape est munie d'un dispositif électronique de contrôle qui interrompt l'arrivée du gaz en 10" si les brûleurs ne s'allument pas. L'opération d'allumage des brûleurs peut être répétée seulement en réarmant d'abord manuellement le dispositif électronique par le bouton (Z) placé sous le tableau des commandes.

3.1 REMPLACEMENT DES PIÈCES

Le remplacement des pièces endommagées doit être effectué uniquement par un personnel technique qualifié. Pour demander au fabricant les pièces de remplacer dont vous avez besoin pour communiquer le modèle du four et le numéro de série. **Ces données sont disponibles sur la plaque des caractéristiques fixée au four.** Pour des raisons de sécurité, avant de remplacer les pièces, il faut débrancher l'interrupteur électrique de protection et fermer les robinets de l'eau installé en amont de l'appareil.

3.2 CONTRÔLE DES FONCTIONS

Après l'installation du four est nécessaire d'effectuer un test d'étanchéité des conduites d'eau.

L'installateur doit toujours vérifier avec les instruments de mesurage nécessaires que les émissions de rumeur aérienne ont un niveau de pression sonore pesé A, inférieur à 70 dB (A).



L'étiquette ISO 3864-1 à côté doit être appliquée sur une surface visible à une hauteur de 1.6 mt du sol. Dans les modèles au sol, l'étiquette est déjà appliquée correctement. Dans les modèles sur table, l'étiquette est fournie avec la documentation du four et est appliquée après l'installation sur une surface visible de l'appareil à 1.60 mt du sol. Il est indispensable de bien expliquer le fonctionnement de l'appareil à l'utilisateur et qu'il garde à portée de main la notice d'emploi qu'il devra suivre attentivement lors de l'utilisation de l'appareil.

IMPORTANT:

Avant que l'utilisateur peut allumer le four et l'utiliser pour tous phases de cuisson ou lavage, il est nécessaire que l'installateur ou un technicien qualifié a vérifié que toutes les connexions du four ont été faites selon les instructions de ce manuel. Le technicien ou l'installateur devront vérifier:

- Le four est en position horizontale et placé sur un support ou une étagère qui assurent son stabilité.
- Que le branchement électrique a été réalisée en conformité avec les règlements et que la section des câbles d'alimentation ne soit pas inférieure à celle indiquée dans le manuel.
- La pression et la dureté de l'eau qui alimente le four sont spécifiés dans les paragraphes de ce manuel.
- Si le four est équipé avec tuyau de décharge, il doit être branché correctement et les matériaux utilisés adaptés pour la température de fonctionnement.

Après on a effectué les contrôles, vous pouvez ouvrir les vannes d'arrêt de l'eau et aussi le disjoncteur, installé en amont de l'appareil. L'installateur doit vérifier le bon fonctionnement du four et vous fournir les instructions nécessaires pour une bonne utilisation, et vérifier à ce que l'utilisateur reçoit une copie de ce manuel.

PREMISA

El contenido de este manual es generico y no todas las funcionalidades descritas podrían estar incluidas en su producto.

El fabricante declina toda responsabilidad por las posibles inexactitudes contenidas en el presente documento, imputables a errores de impresión o relacionadas. El fabricante se reserva el derecho de aportar a sus propios productos aquellas modificaciones que se consideren necesarias o útiles, sin perjudicar las características esenciales. Leer detenidamente las instrucciones de uso, con particular atención para las normas correspondientes a los dispositivos de seguridad. Este aparato debe ser destinado sólo para el uso para el cual ha sido expresamente diseñado y fabricado, es decir: para todas las cocciones de alimentos y la regeneración de comidas precocidas y/o refrigeradas.

INSTRUCCIONES DE USO Y MANTENIMIENTO

Indicar que este aparato es solo para uso profesional y que debe ser utilizado por personal calificado; Tenga en cuenta que las partes que han sido protegidas por el fabricante o su agente no deben ser manipuladas por el usuario.

ATENCIÓN! Antes de realizar cualquier tipo de conexión de este equipo (eléctrica o hidráulica), leer cuidadosamente las instrucciones de este manual. Este manual debe de ser conservado cuidadosamente para estar disponible para futuras consultas por parte de los usuarios o de los técnicos prepuestos al mantenimiento.

La instalación debe ser llevada a cabo sólo por personal cualificado.

1.0 DECLARACIÓN DE CONFORMIDAD

El fabricante declara que los aparatos son conformes a las prescripciones CEE.

La instalación debe ser efectuada según las normas vigentes, sobre todo en cuanto a la ventilación de los locales.

El fabricante rehusa cualquier responsabilidad en caso de daños directos causados por: uso no correcto, instalación incorrecta y/o falta de mantenimiento.

1.1 DIRECTIVA EUROPEA ROHS 2012/19/UE

Este aparato lleva el marcado CE en conformidad con la Directiva 2012/19/UE del Parlamento Europeo y del Consejo sobre residuos de aparatos eléctricos y electrónicos (RAEE).

La correcta eliminación de este producto evita consecuencias negativas para el medioambiente y la salud.



El símbolo en el producto o en los documentos que se incluyen con el producto, indica que no se puede tratar como residuo doméstico.

Es necesario entregarlo en un punto de recogida para reciclar aparatos eléctricos y electrónicos.

Deséchelo con respeto a las normas medioambientales para eliminación de residuos.

Para obtener información más detallada sobre el tratamiento, recuperación y reciclaje de este producto, póngase en contacto con el ayuntamiento, con el servicio de eliminación de residuos urbanos o la tienda donde adquirió el producto.

1.3 TRANSPORTE DEL HORNO Y REMOCIÓN DE LOS EMBALAJES

A la recepción del horno y antes de proceder a la instalación, asegurarse de que el embalaje esté intacto y que no hayan daños visibles.

Comprobar que junto con el horno se entregue toda la documentación, que consiste en:

- manual de instalación, uso y mantenimiento
- ficha de comprobación de correcta instalación
- esquema eléctrico
- pegatina ISO 3864-1

Antes de transportar el horno hasta el punto donde tiene que ser instalado, comprobar que:

- las puertas tengan una anchura suficiente para permitir el paso del horno;
- la pavimentación pueda aguantar el peso.

Dependiendo del modelo del horno, de su tamaño y de su peso, utilizar para el manejo durante el transporte y el desplazamiento antes de la instalación, equipamientos que garanticen la estabilidad para evitar vuelcos, caídas o movimientos incontrolados del dispositivo o de sus partes componentes. Mantener el embalaje del horno hasta el lugar donde se va a instalar el horno. El embalaje facilita el manejo y protege el horno de impactos accidentales. Durante el transporte y la instalación del horno, el instalador debe cumplir con las normas de seguridad vigentes en el lugar de instalación (uso de calzado de seguridad, guantes, etc.). Desembalar con cuidado para no dañar el horno. La película adhesiva que protege las superficies de acero inoxidable también se puede quitar después de colocar el horno encima del soporte correspondiente o en la superficie de apoyo.



¡ATENCIÓN! Los materiales de embalaje y las películas adhesivas son potencialmente peligrosos. Por esta razón, deben mantenerse fuera del alcance de los niños y correctamente eliminados de acuerdo con las normativas locales. Es conveniente separar los materiales de embalaje (madera, cartón, plástico ...) y desecharlos por separado, en cumplimiento de las normas vigentes en el lugar de instalación.

Nota: Remover manualmente las películas protectoras de las partes en acero inoxidable antes de poner en servicio el aparato, evitando emplear sustancias abrasivas y/o objetos metálicos.

Limpiar cualquier residuo de pegamento utilizando una esponja empapada en disolvente.

Si se hace calentar el horno sin retirar primero las películas adhesivas, la eliminación de la película y la limpieza de residuos de adhesivo será mucho más difícil.

INSTRUCCIONES PARA LA INSTALACIÓN Y REGULACIÓN

El método de conexión debe ser el vigente en el país donde se instalará el dispositivo;

Para los aparatos de tipo A, las instrucciones deben indicar que estos deben instalarse con suficiente ventilación para evitar la presencia de concentraciones inaceptables de sustancias nocivas para la salud en la habitación en la que están instalados;

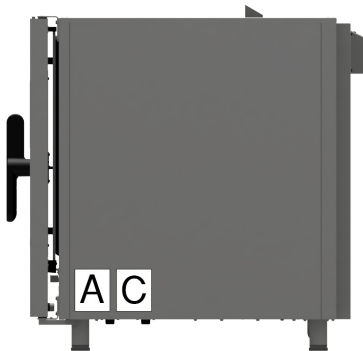
Las instrucciones incluyen un diagrama eléctrico del horno y la referencia a la conexión a la chimenea..

Las instrucciones también indican la necesidad de instalar el aparato en una habitación con ventilación adecuada.

Las instrucciones también indican el flujo de aire necesario para la combustión, mencionando la necesidad de instalar el aparato en una habitación con ventilación adecuada de conformidad con la normativa vigente. (2 m³ / h por cada kW instalado con fines de combustión, 34 m³ / h por cada kW instalado con fines de bienestar del usuario).

1.4 TARJETAS INFORMATIVAS

En cada horno son aplicadas algunas placas metálicas que proporcionan información importante sobre las características del horno, las conexiones eléctricas y de agua y la conexión al desagüe.

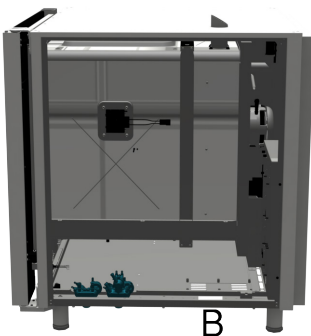


En el lado derecho está aplicada la tarjeta A.

Los datos de esta tarjeta son:

- nombre y dirección del fabricante
- modelo del horno
- el nivel de protección IPX contra la entrada de líquidos
- el cumplimiento de las normativas C.E.
- la potencia eléctrica absorbida y el tipo de alimentación (monofásica o trifásica)
- el número de serie del horno
- el símbolo de la Directiva Europea 2012/19/UE

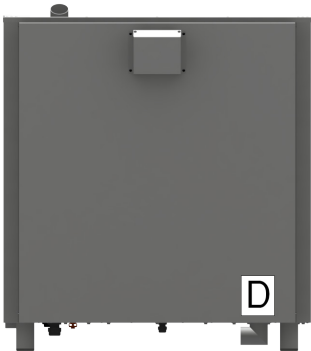
En proximidad del conector para la entrada de agua está pegada la tarjeta C. La tarjeta C indica las características del agua necesarias para un buen funcionamiento del horno. Las mismas características se indican en el párrafo 2.3A de este manual.



Desmontando el panel lateral derecho, sobre la base del horno está pegada la tarjeta B.

En esta tarjeta es repetido el número de serie del horno.

De esta manera, el cliente o el instalador puede conocer el número de serie del horno, en el caso que la placa A esté sucia o dañada.



En proximidad de la salida del desagüe está pegada la placa de D que contiene la información relativa a la conexión del desagüe.

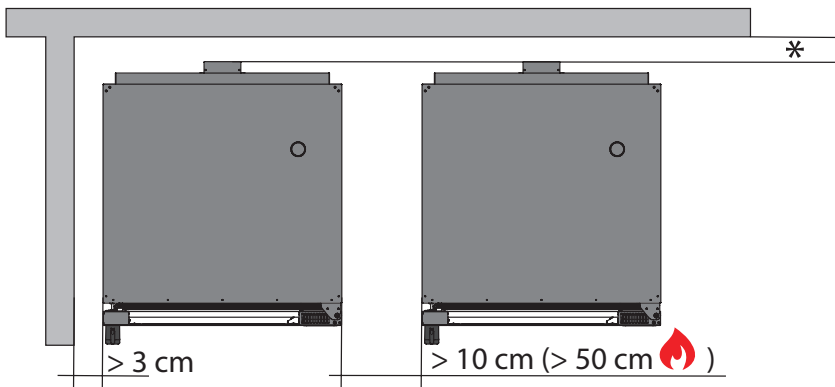
INSTALACIÓN

1.5 POSICIONAMIENTO DEL HORNO

El sitio donde se instalará el horno debe cumplir con los siguientes requisitos:

- Estar resguardado de los agentes atmosféricos y tener un adecuado recambio de aire;
- cumplir con los reglamentos relativos a la seguridad laboral
- tener una temperatura entre 5 °C y 35 °C con un nivel de humedad no superior al 70%.

* Mantener en la parte trasera una distancia suficiente porque la etiqueta del terminal equipotencial puede verse fácilmente cuando el horno haya sido instalado.



El mismo terminal debe ser accesible para la instalación del cable equipotencial después que el horno ha sido instalado, de acuerdo con las instrucciones.

Mantener las distancias mínimas entre las paredes del horno, (trasera y lateral derecha) y las paredes de ladrillos o los otros aparatos.

MUY IMPORTANTE: el horno debe apoyar sobre una superficie ignífuga. Si no lo está, coloque una lámina de acero inoxidable u otro material incombustible entre el horno y la superficie de apoyo.

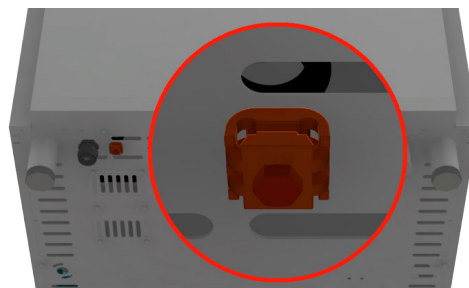
1.6 CONEXIÓN ELÉCTRICA

El aparato entregado está predispuesto para funcionar con el voltaje indicado en la placa de "Características" aplicada en el lado derecho del aparato. Es preciso conectar el aparato en un sistema equipotencial, cuya eficacia debe cumplir las normas vigentes.

La conexión debe ser efectuada empleando el tornillo situado en el lado trasero del horno, marcado con la sigla **EQUIPOTENTIAL**.

El Fabricante rehusa cualquier responsabilidad en caso de incumplimiento de esta norma fundamental.

Si el cable de alimentación está dañado, debe ser reemplazado por el servicio de asistencia técnica o por una persona calificada similar, a fin de evitar cualquier riesgo.



1.7 TABLA DATOS TÉCNICOS CONEXIÓN ELÉCTRICA

Modelo	Potencia y voltaje	nº y potencia motores	Potencia calefacción	Consumo corriente	Sección cable
4 x 1/1 GN- 60x40 Eléctrico 5 x 1/1 GN- 60x40 Eléctrico	6.5 kW 380 - 415 V 3N~ 50 Hz Analog 50/60 Hz Touch	2 x 240 W	6.0 kW	10.0 A	5 x 2.5 mm ²
6 x 1/1 GN- 60x40 Eléctrico 7 x 1/1 GN- 60x40 Eléctrico	11.6 kW 380 - 415 V 3N~ 50 Hz Analog 50/60 Hz Touch	2 x 240 W	11.0 kW	18.0 A	5 x 4.0 mm ²
10 x 1/1 GN- 60x40 Eléctrico 12 x 1/1 GN- 60x40 Eléctrico	17.3 kW 380 - 415 V 3N~ 50 Hz Analog 50/60 Hz Touch	3 x 240 W	16.5 kW	26.0 A	5 x 6.0 mm ²
4 x 1/1 GN- 60x40 Gas 5 x 1/1 GN- 60x40 Gas	0.3 kW 220 - 240 V 1N~ 50 Hz Analog 50 Hz Touch	1 x 240 W	--	1.2 A	3 x 1.5 mm ²
6 x 1/1 GN- 60x40 Gas 7 x 1/1 GN- 60x40 Gas	0.3 kW 220 - 240 V 1N~ 50 Hz Analog 50 Hz Touch	1 x 240 W	--	1.2 A	3 x 1.5 mm ²
10 x 1/1 GN- 60x40 Gas 12 x 1/1 GN- 60x40 Gas	0.6 kW 220 - 240 V 1N~ 50 Hz Analog 50 Hz Touch	2 x 240 W	--	2.4 A	3 x 1.5 mm ²

1.8 CONEXIÓN DE GAS

HORNO		4 x 1/1 GN - 600x400 5 x 1/1 GN - 600x400														
POTENCIA NOMINAL (kW)		10.5	10.5	10.5	10.5	10.5	10.5	10.5	10.5	10.5	10.5	10.5	10.5	10.5	10.5	
CATEGORIA DE GAS		2H	2E	2E+	2K	2L	2LL	2H	2S	2LW	2LS	3+	3B/P	3B/P	3B/P	
TIPO DE GAS		G20	G20	G20 G25	G25.3	G25	G25	G20	G25.1	G2.350	G27	G30 G31	G30 G31	G30 G31	G30 G31	
PA (MBAR) PRESION DEL GAS		20	20	20 25	25.0	20	20	25	25	13	20	28...30 37	30	37	50	
UM (BOQUILLA MAX.)		215	215	170R	215.0	215	215	215	215		215	120	120	110	120	
REGULACIÓN DE PRESIÓN:		9.0	9.0	--	13.0	13.5	13.5	9.0	14.5		15.0	--	--	--	28	
CONSUMO (M³/H)		1.111	1.111	1.111	1.263	1.292	1.292	1.111	1.290		1.355					
CONSUMO (Kg/H)												0.828	0.828	0.828	0.828	
CONSUMO	AT	X													X	
	BE			X								X				
	BG	X											X			
	CH	X										X			X	
	CY	X										X	X			
	CZ	X										X				
	DE		X					X								X
	DK	X												X		
	EE	X												X		
	ES	X										X				
	FI	X												X		
	FR			X									X			
	GB	X											X			
	GR	X											X	X		
	HU								X	X				X		
	IE	X											X			
	IS														X	
	IT	X											X			
	LT	X											X	X		
	LU	X	X												X	
	LV	X													X	
	MT														X	
	NL		X		X										X	
	NO	X													X	
	PL		X									X				X
	PT	X											X			
	RO		X												X	
	SE	X													X	
SI	X											X	X			
SK	X											X	X		X	
AL	X											X	X			
HR	X													X		
MK	X											X	X			
TR	X											X	X			

HORNO	6 x 1/1 GN - 600x400 7 x 1/1 GN - 600x400														
POTENCIA NOMINAL (kW)	14.5	14.5	14.5	14.5	14.5	14.5	14.5	14.5	14.5	14.5	14.5	14.5	14.5	14.5	
CATEGORIA DE GAS	2H	2E	2E+	2K	2L	2LL	2H	2S	2LW	2LS	3+	3B/P	3B/P	3B/P	
TIPO DE GAS	G20	G20	G20 G25	G25.3	G25	G25	G20	G25.1	G2.350	G27	G30 G31	G30 G31	G30 G31	G30 G31	
PA (MBAR) PRESION DEL GAS	20	20	20 25	25.0	20	20	25	25	13	20	28...30 37	30	37	50	
UM (BOQUILLA MAX.)	245	245	200	245.0	245	245	245	245		245	140	140	130	140	
REGULACIÓN DE PRESIÓN:	9.0	9.0	--	13.0	13.5	13.5	9.0	15.0		15.0	--	--	--	27	
CONSUMO (M³/H)	1.534	1.534	1.534	1.745	1.745	1.745	1.534	1.782		1.872					
CONSUMO (Kg/H)											1.143	1.143	1.143	1.143	
CONSUMO	AT	X												X	
	BE			X							X				
	BG	X										X			
	CH	X									X			X	
	CY	X									X	X			
	CZ	X									X				
	DE		X				X								X
	DK	X											X		
	EE	X											X		
	ES	X										X			
	FI	X											X		
	FR			X								X			
	GB	X										X			
	GR	X										X	X		
	HU							X	X				X		
	IE	X										X			
	IS												X		
	IT	X										X			
	LT	X										X	X		
	LU	X	X										X		
	LV	X											X		
	MT												X		
	NL		X		X								X		
	NO	X											X		
	PL		X								X			X	
	PT	X										X			
	RO		X										X		
	SE	X											X		
SI	X										X	X			
SK	X										X	X		X	
AL	X										X	X			
HR	X											X			
MK	X										X	X			
TR	X										X	X			

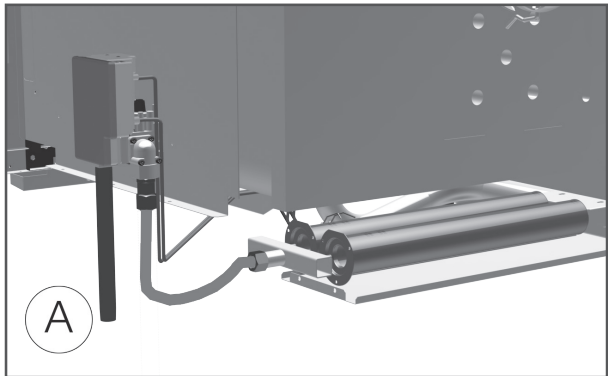
HORNO		10 x 1/1 GN - 600x400 12 x 1/1 GN - 600x400														
POTENCIA NOMINAL (kW)	20.5	20.5	20.5	20.5	20.5	20.5	20.5	20.5	20.5	20.5	20.5	20.5	20.5	20.5	20.5	
CATEGORIA DE GAS	2H	2E	2E+	2K	2L	2LL	2H	2S	2LW	2LS	3+	3B/P	3B/P	3B/P		
TIPO DE GAS	G20	G20	G20 G25	G25.3	G25	G25	G20	G25.1	G2.350	G27	G30 G31	G30 G31	G30 G31	G30 G31		
PA (MBAR) PRESION DEL GAS	20	20	20 25	25.0	20	20	25	25	13	20	28...30 37	30	37	50		
UM (BOQUILLA MAX.)	280	280	240	280.0	280	280	280	280		280	140	140	130	140		
REGULACIÓN DE PRESIÓN:	10.0	10.0	--	14.5	14.5	14.5	10.0	16.0		16.0	--	--	--	28		
CONSUMO (M³/H)	2.169	2.169	2.169	2.467	2.523	1.292	2.169	2.519		2.646						
CONSUMO (Kg/H)											1.617	1.617	1.617	1.617		
CONSUMO	AT	X													X	
	BE			X							X					
	BG	X										X				
	CH	X									X				X	
	CY	X									X	X				
	CZ	X									X					
	DE		X				X									X
	DK	X											X			
	EE	X											X			
	ES	X										X				
	FI	X											X			
	FR			X								X				
	GB	X										X				
	GR	X										X	X			
	HU							X	X				X			
	IE	X										X				
	IS												X			
	IT	X										X				
	LT	X										X	X			
	LU	X	X										X			
	LV	X											X			
	MT												X			
	NL		X		X								X			
	NO	X											X			
	PL		X								X			X		
	PT	X										X				
	RO		X										X			
	SE	X											X			
	SI	X										X	X			
	SK	X										X	X		X	
AL	X										X	X				
HR	X											X				
MK	X										X	X				
TR	X										X	X				

1.9 CONEXIÓN A LA RED DEL GAS

La conexión del aparato debe realizarse empleando tuberías metálicas rígidas, en acero galvanizado o en cobre, empujadas a la vista.

No utilizar tuberías flexibles para conectar el aparato a la red de gas.

Es preciso conectar el aparato con la red de abastecimiento empleando una llave de paso, con mando fácilmente accionable. Es preciso realizar la conexión entre la tubería y el aparato empleando una unión metálica de tres piezas a fin de facilitar su desmontaje. Es preciso asegurar la estanqueidad en las roscas de unión empleando materiales declarados específicamente aptos, por su fabricante, también para los gases GPL.



Es necesario alimentar el horno con el tipo de gas adecuado (ver las tablas datos técnicos de conexión gas) ya que el horno está predispuerto para funcionar unicamente con el gas indicado en la placa de "Características" (par. 1.4).

2.0 CONTROL FUGAS DE GAS

Terminada la instalación es preciso comprobar que no haya fugas de gas. Es posible efectuar la comprobación mediante pinceladas de agua jabonosa en los empalmes y las conexiones; una eventual burbuja indica que hay una fuga de gas.

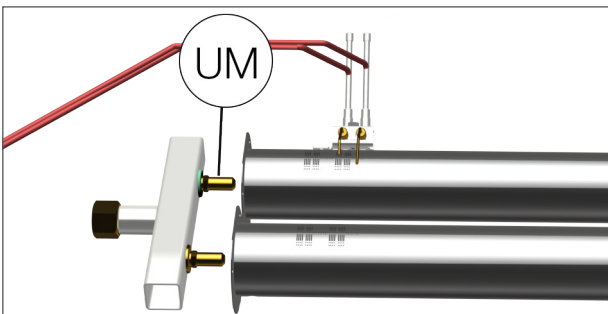
2.1 TRANSFORMACIÓN PARA LOS VARIOS TIPOS DE GAS

En las tablas 18A, B y C se indican:

- los gases que se pueden utilizar para alimentar el horno
- los inyectores y las regulaciones para cada uno de los gases.
- El número de inyector indicado en la tabla 18A está grabado en el mismo.

Para adaptar el horno al tipo de gas con el que será alimentado, seguir las indicaciones de la tabla 18A y efectuar las operaciones que se describen a continuación.

- Sustituir el inyector del quemador principal (UM).
- Aplicar en el equipo la etiqueta que indica el nuevo tipo de gas utilizado.
- Los inyectores y las etiquetas se suministran con el equipo.

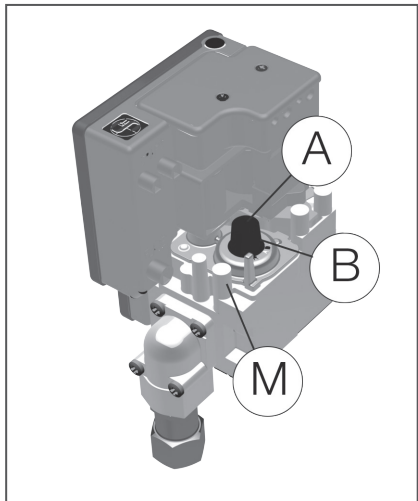


Después de la adaptación a otro tipo de gas o del mantenimiento, comprobar que el horno funcione correctamente.

2.1A CONTROL DE LA PRESIÓN DE ALIMENTACIÓN DEL GAS

Utilizar un manómetro con resolución no inferior a 0,1 mbar. Quitar el tornillo de estanqueidad de la toma de presión MP y conectar el manómetro. Efectuar la medición con el equipo en funcionamiento.

¡ATENCIÓN! SI LA PRESIÓN DE ALIMENTACIÓN DEL GAS NO ESTÁ ENTRE LOS VALORES LÍMITE (MÍN. - MÁX.) INDICADOS EN LA TABLA 18C, APAGAR EL HORNO Y CONSULTAR LA EMPRESA SUMINISTRADORA DEL GAS.



2.2 CONEXIÓN CON LA CHIMENEA (HORNOS DE GAS)

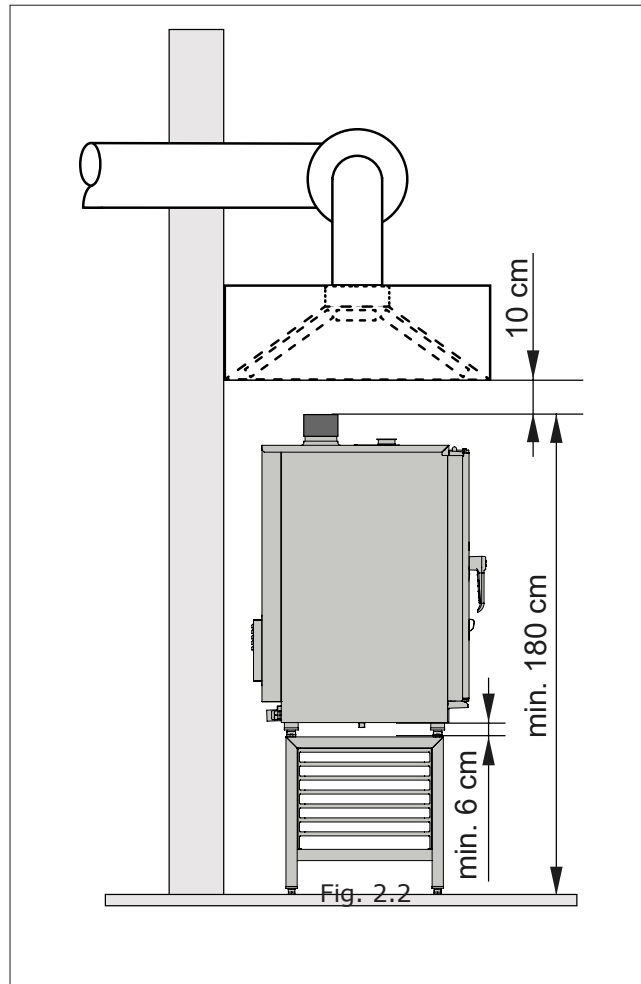
Los hornos a gas son equipados con una chimenea, para evacuar los residuos de la combustión, que es preciso conectar según una de las modalidades ilustradas en las fig. 2.2A – 2.2B previstas por las normas de instalación.

2.2B Evacuación forzada de los humos tipo A1:

El aparato es del tipo A1. Debe instalarse en habitaciones con suficiente ventilación para evitar la posibilidad de concentraciones inaceptables de sustancias nocivas para la salud en la habitación en la que se instala el aparato, de acuerdo con las leyes y regulaciones nacionales y locales vigentes.

Indicativamente, el caudal de un aspirador de aire conectado directamente al entorno externo es de 35 m³/h por cada kW de potencia de gas instalado.

El aparato debe instalarse en habitaciones suficientemente ventiladas para garantizar el flujo de aire necesario para la combustión, de acuerdo con las leyes y regulaciones nacionales y locales vigentes.



2.3 CARACTERÍSTICAS DEL AGUA

El agua debe ser apta por el consumo humano y debe tener las siguientes características:

Temperatura: entre 15 y 20°C

Dureza total: comprendida entre 4 y 12 °f (grados Franceses), se aconseja instalar siempre un suavizador aguas arriba del aparato. Así el valor de dureza del agua se queda entre los valores establecidos.

El funcionamiento del horno con agua más dura conlleva, en poco tiempo, la formación de incrustaciones de caliza en las paredes de la cámara de cocción.

Presión del agua: debe ser comprendida entre 150 e 250 KPa (1,5 – 2,5 bar).

Atención. Presiones más altas hacen que aumente el consumo de agua y pueden perjudicar el funcionamiento del aparato.

Concentración máxima de cloruros: (Cl-) menor de 150 mg/litros.

Concentración de Cloro (Cl₂): por debajo de 0.2 mg/litros.

pH: mayor de 7.

Conductibilidad eléctrica del agua: comprendida entre 50 y 2000 µS/cm.

Atención: El uso de sistemas para tratar el agua diferentes de los suministrados por el fabricante está prohibido y provoca la anulación de la garantía.

También está prohibido el uso de sustancias aptas para evitar las incrustaciones en las tuberías, por ejemplo dosificadores de polifosfatos, porque pueden perjudicar el funcionamiento del aparato.

2.4 DATOS TÉCNICOS INSTALACIÓN AGUA

	4-5 trays	6-7 trays	10-12 trays
Regulación caudal agua ciclo mixto	Ø 0.4 mm	Ø 0.4 mm	Ø 0.5 mm
Regulación caudal agua ciclo vapor	Ø 0.55 mm	Ø 0.6 mm	Ø 0.6 mm

2.5 CONEXIÓN HÍDRICA – ENTRADA DEL AGUA

Los hornos disponen de 2 conexiones para la entrada del agua, situadas en la parte trasera del aparato. Es necesario conectar ambos.

Entre el aparato y la red de abastecimiento es preciso intercalar una llave de paso con mando fácilmente maniobrable; también se aconseja montar un filtro de cartucho en la tubería de entrada del agua.

Utilizar siempre un conjunto de juntas nuevo, eventuales viejas juntas no deben ser reutilizadas.

La conexión hídrica debe ser efectuada siempre con agua fría y realizado con tuberías rígidas.

No utilizar tuberías flexibles para conectar el horno a la red hídrica.



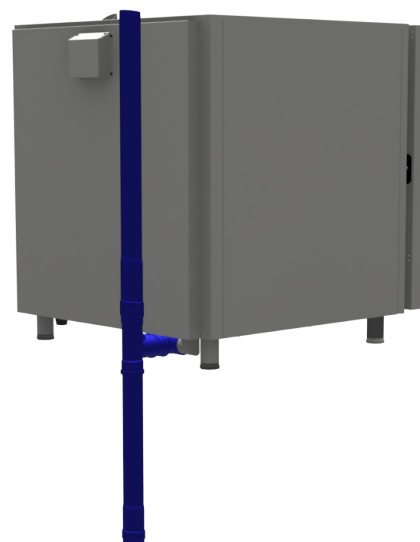
2.6 CONEXIÓN HÍDRICA – DESAGÜE

Los hornos disponen de un desagüe situado en la parte trasera del aparato; la conexión hídrica debe ser efectuada directamente en el extremo del tubo de desagüe en acero inoxidable.

El desagüe no debe tener sifón y debe realizarse con tubos rígidos y resistentes a temperaturas de 110 °C.

Es necesario que el diámetro del tubo de desagüe no se reduzca y que su tubería quede a la presión atmosférica.

El eventual atasco del tubo de desagüe puede causar la salida de vapor por la puerta del horno y malos olores en la cámara de cocción.



Los hornos disponen de automatismos de control y seguridad de los circuitos eléctricos e hidráulicos.

3.0A Fusible de 2A: situado en el circuito auxiliar para la protección contra cortocircuito de la instalación eléctrica y alojado en el soporte correspondiente situado en la fijación de los contactores.

3.0E Termóstato de seguridad en cámara: desconecta las resistencias de calentamiento o dispara la válvula del gas en caso de anomalías causadas por un recalentamiento; el restablecimiento debe ser efectuado manualmente después de averiguar las causas que han determinado el disparo.

3.0F Sensor magnético de apertura de puerta: para el funcionamiento del horno cuando se abre la puerta.

3.0L Válvula seguridad gas: la válvula tiene un dispositivo electrónico de control que corta el flujo del gas dentro de 10" si falla el encendido de los quemadores. La operación de encendido de los quemadores puede ser repetida previo restablecimiento manual del dispositivo electrónico, a efectuar mediante el botón (Z) situado en la parte inferior del panel.

3.1 SUSTITUCIÓN PIEZAS DE RECAMBIO

La sustitución de las piezas dañadas debe ser realizada únicamente por personal técnico cualificado. Para solicitar al fabricante las partes que hay que sustituir deberán proporcionar el modelo de horno y número de serie.

Estos datos se pueden encontrar en la etiqueta de especificaciones pegada al horno.

Antes de proceder a la sustitución de las piezas es necesario, por motivos de seguridad, desconectar la alimentación eléctrica y cerrar la válvula del agua instaladas por encima del aparato.

3.2 CONTROL DE LAS FUNCIONES

Después de finalizar la instalación del horno es necesario realizar una prueba de fugas de la red de agua y eventualmente de gas. **El instalador debe también verificar, con los medios de medición adecuados, que las emisiones de ruido aéreo tengan un nivel de presión sonora ponderada A inferior a 70 dB (A).**



La etiqueta ISO 3864-1 representada a la izquierda se debe aplicar en una parte visible a una altura de 1,6 m. desde el suelo.

En los modelos de suelo, la etiqueta ya es aplicada en la posición correcta.

En los modelos de mesa, es suministrada con la documentación del horno y se debe aplicar, después de la instalación, en una parte visible de a 1,60 m del suelo. El instalador debe verificar el funcionamiento correcto del horno, proporcionar al cliente las instrucciones necesarias y entregarle este manual de instrucciones al que el usuario deberá seguir escrupulosamente.

IMPORTANTE: Antes de que el usuario pueda encender el horno y utilizarlo para cualquier proceso de cocción o de lavado, es necesario que el instalador o un técnico cualificado haya comprobado que todas las conexiones del horno hayan sido realizadas según las instrucciones de este manual.

El técnico o el instalador tendrán entonces que asegurarse que:

- el horno esté en posición horizontal y colocado encima de un soporte que asegure su estabilidad.
- la conexión eléctrica haya sido realizada en cumplimiento de la normativa y que la sección de los cables de alimentación no sea inferior a la indicada en el manual.
- la presión y la dureza del agua que alimenta el horno estén dentro de los campos especificados en este manual.
- el desagüe del horno (si está presente) esté conectado correctamente y que los materiales utilizados sean adecuados para las temperaturas de funcionamiento.

Después de haber hecho esas comprobaciones, es posible abrir la válvula del agua y el interruptor eléctrico, instalados por encima del aparato. El instalador debe verificar el funcionamiento correcto del horno y proporcionar al usuario las instrucciones necesarias para el uso correcto, así como asegurarse de que al usuario haya sido entregada una copia de este manual.

INTRODUCTIE

De inhoud van deze handleiding is algemeen en het kan zijn dat niet alle beschreven functies in uw product zijn opgenomen.

De Fabrikant wijst elke aansprakelijkheid voor eventuele onjuistheden in deze brochure als gevolg van druk- of typefouten af. Wij behouden ons het recht voor om wijzigingen in onze producten door te voeren die noodzakelijk of nuttig worden geacht, zonder afbreuk te doen aan de essentiële kenmerken.

Lees aandachtig de instructies voor gebruik, met bijzondere aandacht voor de veiligheidsregels.

Dit apparaat mag alleen worden gebruikt voor de doeleinden waarvoor het expliciet is ontworpen en gefabriceerd, namelijk voor het bereiden van voedsel en voor het verwarmen van voorgekookt en/of ingevroren voedsel.

GEBRUIKSAANWIJZING EN ONDERHOUD

- Dit apparaat dient voor professioneel gebruik en wordt gebruikt door professionelen.
- Erkende onderdelen door de fabrikant kunnen niet worden aangepast.

ATTENTIE! Alvorens een type verbinding van dit apparaat (elektrische of hydraulische), lees aandachtig de instructies in deze handleiding.

Deze handleiding moet zorgvuldig worden bewaard om in de toekomst door gebruikers of onderhoudstechnici te kunnen worden geraadpleegd. De installatie mag alleen door gekwalificeerd personeel worden uitgevoerd.

1.0 VERKLARING VAN CONFORMITEIT

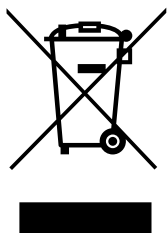
De Fabrikant verklaart dat de apparatuur voldoet aan de EEG-eisen.

De installatie dient te worden uitgevoerd in overeenstemming met de geldende regelgeving, met name wat betreft de ventilatie van de ruimtes en systemen voor de afvoer van gassen.

N.B. De Fabrikant wijst elke vorm van aansprakelijkheid af in geval van directe schade veroorzaakt door: verkeerd gebruik, onjuiste installatie of slecht onderhoud.

1.1 EUROPESE RICHTLIJN ROHS 2012/19/UE

Dit apparaat is gemarkeerd overeenkomstig de Europese Richtlijn 2002/96/EG inzake Afgedankte Elektrische en Elektronische Apparaten (AEEA). Door dit product correct te verwijderen, draagt de gebruiker bij aan het voorkomen van mogelijke negatieve gevolgen voor het milieu en de gezondheid.



Dit symbool op het product of op de bijbehorende documentatie geeft aan dat dit product niet dient te worden behandeld als huishoudelijk afval, maar dient te worden ingeleverd bij een verzamelpunt voor het recyclen van elektrische en elektronische apparaten.

Verwijderen volgens de plaatselijke regelgeving inzake de verwerking van afval. Voor meer informatie over de behandeling, terugwinning en recycling van dit product, kunt u contact opnemen met de desbetreffende lokale instantie, het afvalverwerkingsbedrijf of met de winkel waar het product is gekocht.

1.3 TRANSPORT VAN DE OVEN EN VERWIJDEREN VAN DE VERPAKKING

Controleer na ontvangst van de oven en vóór het installeren of de verpakking intact is en of er geen zichtbare schade is. Controleer of u naast de oven ook de documentatie ontvangt, die bestaat uit:

- Installatie-, gebruiks- en onderhoudsvoorschriften
- Tabel om te controleren of de installatie correct is uitgevoerd
- Bedradingsschema
- Label ISO 3864-1

Alvorens de oven naar het punt te brengen waar deze geïnstalleerd moet worden, dient te worden gecontroleerd of:

- de deuren breed genoeg zijn om de oven door te laten;
- de vloer het gewicht kan dragen.

afhankelijk van het model, de afmetingen en het gewicht van de oven dient aangepast materiaal gebruikt te worden voor het transport en de installatie. De stabiliteit moet gegarandeerd zijn zodat omkantelen, vallen of ongecontroleerd bewegen van het toestel of de onderdelen ervan vermeden wordt. Houd de oven in de verpakking totdat u de site bereikt waar de oven geïnstalleerd zal worden. De verpakking maakt het eenvoudiger om met de goederen om te gaan. De verpakking biedt ook een bijkomende bescherming aan de oven.

Tijdens het verplaatsen en installeren van de oven moet de installateur de ongevallenpreventievoorschriften naleven, die gelden op de plaats van installatie (gebruik van veiligheidsschoenen, handschoenen, enz.) Verwijder de verpakking en zorg er hierbij voor dat u de oven niet beschadigt. De zelfklevende folie die de roestvrij stalen oppervlakken beschermt, kan ook worden verwijderd nadat de oven op de overeenkomstige standaard of op het steunvlak is geplaatst.



LET OP: verpakkingsmaterialen en zelfklevende folie kunnen gevaarlijk zijn.

Daarom moeten deze buiten het bereik van kinderen worden gehouden en op de juiste manier, in overeenstemming met lokale richtlijnen, worden verwijderd.

Verpakkingsmaterialen (hout, karton, plastic ...) moeten worden gescheiden en apart worden verwerkt, in overeenstemming met de richtlijnen die gelden op de plaats van installatie.

Opmerking: alvorens het apparaat te starten, moet de beschermfolie van de roestvrijstalen onderdelen handmatig worden verwijderd. Gebruik geen schurende middelen en/of metalen voorwerpen.

Verwijder lijmresten met een in oplosmiddel gedrenkte spons. Het is veel moeilijker om de folie en de lijmresten te verwijderen, als de oven wordt verwarmd voordat de zelfklevende folie is verwijderd.

INSTRUCTIES VOOR INSTALLATIE EN AANPASSINGEN

Gebruik de methode die van kracht is in het land waar het apparaat zal worden geïnstalleerd

Voor apparaten van type A staat in de instructies dat deze met voldoende ventilatie geïnstalleerd moet worden, om te voorkomen dat onaanvaardbare concentraties van stoffen, die schadelijk zijn voor de gezondheid, worden blootgesteld.

In de gebruiksaanwijzing vindt u een elektrisch schema van het apparaat en een verwijzing naar de rookgasafvoer.

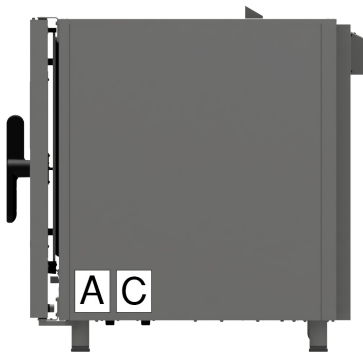
De instructies vermelden ook de noodzaak om het apparaat in een voldoende geventileerde ruimte te installeren.

De instructies vermelden ook de luchtstroom die nodig is voor de verbranding en vermelden de geschikte geventileerde ruimtes in overeenstemming met de geldende voorschriften.

(2 m³ / uur per kW geïnstalleerd voor verbrandingsdoeleinden, 34 m³ / uur per kW geïnstalleerd voor het welzijn van de gebruikers).

1.4 INFORMATIEVE ETIKETTEN

Op elke oven zijn enkele metalen etiketten aangebracht, die belangrijke informatie verschaffen over de kenmerken van de oven, over de elektrische en sanitaire aansluitingen en eventueel over de afvoeraansluiting.



Op het rechterpaneel bevindt zich het etiket A.

Dit etiket bevat de volgende informatie:

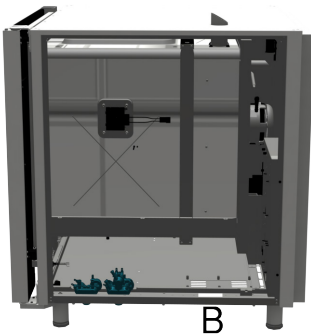
- de naam en het adres van de fabrikant;
- het model van de oven;
- Ide IPX-beschermklasse tegen waterstralen;
- overeenstemming met de EG-richtlijnen;
- de stroomtoevoer en de voeding (enkel of driefasig);
- het serienummer van de oven;
- het symbool van de Europese richtlijn 2012/19/EU.

Naast de verbinding voor de wateraansluiting, bevindt zich etiket C.

Etiket C geeft de waterkenmerken aan die nodig zijn voor een goede werking van de oven.

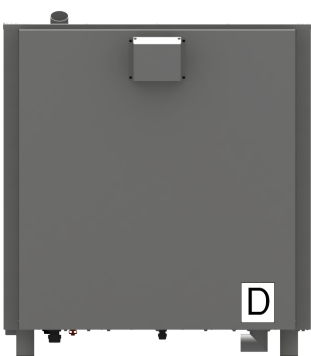
Deze kenmerken staan ook vermeld in paragraaf 2.4 van deze handleiding.

Als het rechter zijpaneel wordt verwijderd, is op het ovenframe etiket B te zien.



Op dit etiket wordt het serienummer van de oven herhaald.

Op deze manier kan de klant of de installateur het serienummer van de oven ook vinden als etiket A vies of beschadigd is.



In de buurt van de afvoer bevindt zich etiket D, die informatie bevat over de afvoeraansluiting.

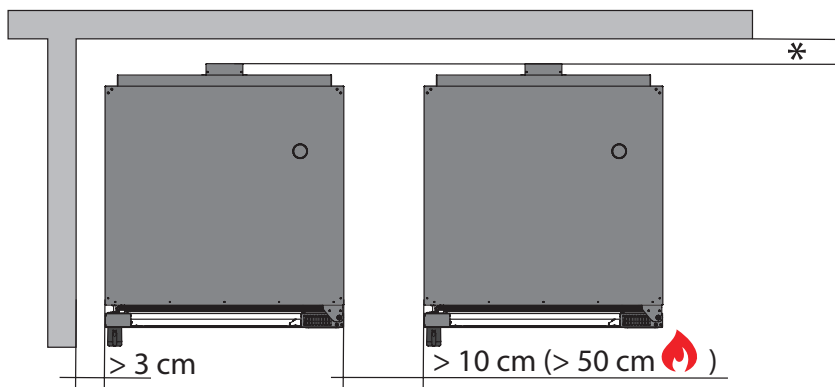
INSTALLATIE

1.5 HET PLAATSEN VAN DE OVEN

De plaats waar de oven wordt geïnstalleerd, moet aan de volgende vereisten voldoen:

- bescherming tegen weersinvloeden en voldoende luchtcirculatie;
- overeenstemming met de regelgeving met betrekking tot de veiligheid op het werk;
- een omgevingstemperatuur tussen 5°C en 35°C en een bevochtiging die niet hoger is dan 70%.

* Voorzie voldoende afstand achteraan zodat het label van de equipotentiale verbinding goed zichtbaar is wanneer de oven geïnstalleerd is.

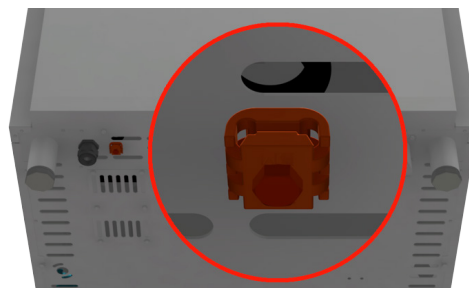


Dezelfde verbinding moet goed toegankelijk zijn om de equipotentiale kabel te verbinden nadat de oven geïnstalleerd is volgens onze instructies. Installeer het apparaat in een positie die het mogelijk maakt om installatie, onderhoud en technische assistentie aan de rechterzijde uit te voeren. Houd de minimale afstanden tussen de ovenwanden (achter- en rechterzijde) en de bakstenen muren of de andere apparatuur aan.

ZEER BELANGRIJK: de oven moet op een vuurvast oppervlak liggen. Als dat niet het geval is, plaatst u een vel roestvrij staal of ander vuurvast materiaal tussen de oven en het steunoppervlak.

1.6 ELEKTRISCHE AANSLUITING

Het geleverde apparaat dient te worden gebruikt met de spanning die vermeld staat op het typeplaatje dat aan de rechterzijde van het apparaat is aangebracht. Het klemmenbord is toegankelijk vanaf de rechterzijde van het apparaat, door het zijpaneel te verwijderen. Het apparaat dient aangesloten te zijn op een potentiaalvereffeningssysteem dat in overeenstemming dient te zijn met de geldende plaatselijke voorschriften. De aansluiting dient te worden uitgevoerd middels de schroef die gemerkt is met het woord **EQUIPOTENTIAL** en zich in de buurt van de kabelklem bevindt. De Fabrikant wijst elke vorm van aansprakelijkheid af als deze belangrijke veiligheidsinstructies niet in acht worden genomen.



1.7 TABEL TECHNISCHE GEGEVENS ELEKTRISCHE AANSLUITING

Modellen	Stroomverbruik en voltage	Aantal en vermogen motoren	Verwarming svermogen	Stroomverbruik	Elektriciteits-snoer
4 x 1/1 GN- 60x40 Elektrisch 5 x 1/1 GN- 60x40 Elektrisch	6.5 kW 380 - 415 V 3N~ 50 Hz Analog 50/60 Hz Touch	2 x 240 W	6.0 kW	10.0 A	5 x 2.5 mm ²
6 x 1/1 GN- 60x40 Electric 7 x 1/1 GN- 60x40 Elektrisch	11.6 kW 380 - 415 V 3N~ 50 Hz Analog 50/60 Hz Touch	2 x 240 W	11.0 kW	18.0 A	5 x 4.0 mm ²
10 x 1/1 GN- 60x40 Elektrisch 12 x 1/1 GN- 60x40 Elektrisch	17.3 kW 380 - 415 V 3N~ 50 Hz Analog 50/60 Hz Touch	3 x 240 W	16.5 kW	26.0 A	5 x 6.0 mm ²
4 x 1/1 GN- 60x40 Gas 5 x 1/1 GN- 60x40 Gas	0.3 kW 220 - 240 V 1N~ 50 Hz Analog 50 Hz Touch	1 x 240 W	--	1.2 A	3 x 1.5 mm ²
6 x 1/1 GN- 60x40 Gas 7 x 1/1 GN- 60x40 Gas	0.3 kW 220 - 240 V 1N~ 50 Hz Analog 50 Hz Touch	1 x 240 W	--	1.2 A	3 x 1.5 mm ²
10 x 1/1 GN- 60x40 Gas 12 x 1/1 GN- 60x40 Gas	0.6 kW 220 - 240 V 1N~ 50 Hz Analog 50 Hz Touch	2 x 240 W	--	2.4 A	3 x 1.5 mm ²

1.8 TECHNISCHE GEGEVENS VAN HET GAS

OVEN		4 x 1/1 GN - 600x400 5 x 1/1 GN - 600x400													
NOMINALE KRACHT (kW)		10.5	10.5	10.5	10.5	10.5	10.5	10.5	10.5	10.5	10.5	10.5	10.5	10.5	10.5
CATEGORIE		2H	2E	2E+	2K	2L	2LL	2H	2S	2LW	2LS	3+	3B/P	3B/P	3B/P
GAS TYPE		G20	G20	G20 G25	G25.3	G25	G25	G20	G25.1	G2.350	G27	G30 G31	G30 G31	G30 G31	G30 G31
PA (MBAR) AANSLUITDRUCK		20	20	20 25	25.0	20	20	25	25	13	20	28...30 37	30	37	50
UM (SPROEIER MAX.)		215	215	170R	215.0	215	215	215	215		215	120	120	110	120
GASAANSLUITDRUK		9.0	9.0	--	13.0	13.5	13.5	9.0	14.5		15.0	--	--	--	28
CONSUMPTIE (M³/H)		1.111	1.111	1.111	1.263	1.292	1.292	1.111	1.290		1.355				
CONSUMPTIE (Kg/H)												0.828	0.828	0.828	0.828
CONSUMPTIE	AT	X													X
	BE			X								X			
	BG	X											X		
	CH	X										X			X
	CY	X										X	X		
	CZ	X										X			
	DE		X					X							X
	DK	X												X	
	EE	X												X	
	ES	X										X			
	FI	X												X	
	FR			X									X		
	GB	X											X		
	GR	X											X	X	
	HU								X	X				X	
	IE	X											X		
	IS													X	
	IT	X											X		
	LT	X											X	X	
	LU	X	X											X	
	LV	X												X	
	MT													X	
	NL		X		X									X	
	NO	X												X	
	PL		X									X			X
	PT	X											X		
	RO		X											X	
	SE	X												X	
	SI	X											X	X	
	SK	X											X	X	X
AL	X											X	X		
HR	X												X		
MK	X											X	X		
TR	X											X	X		

OVEN	6 x 1/1 GN - 600x400 7 x 1/1 GN - 600x400													
NOMINALE KRACHT (kW)	14.5	14.5	14.5	14.5	14.5	14.5	14.5	14.5	14.5	14.5	14.5	14.5	14.5	14.5
CATEGORIE	2H	2E	2E+	2K	2L	2LL	2H	2S	2LW	2LS	3+	3B/P	3B/P	3B/P
GAS TYPE	G20	G20	G20 G25	G25.3	G25	G25	G20	G25.1	G2.350	G27	G30 G31	G30 G31	G30 G31	G30 G31
PA (MBAR) AANSLUITDRUCK	20	20	20 25	25.0	20	20	25	25	13	20	28...30 37	30	37	50
UM (SPROEIER MAX.)	245	245	200	245.0	245	245	245	245		245	140	140	130	140
GASAANSLUITDRUK	9.0	9.0	--	13.0	13.5	13.5	9.0	15.0		15.0	--	--	--	27
CONSUMPTIE (M ³ /H)	1.534	1.534	1.534	1.745	1.745	1.745	1.534	1.782		1.872				
CONSUMPTIE (Kg/H)											1.143	1.143	1.143	1.143
CONSUMPTIE	AT	X												X
	BE			X							X			
	BG	X										X		
	CH	X									X			X
	CY	X									X	X		
	CZ	X									X			
	DE		X				X							X
	DK	X											X	
	EE	X											X	
	ES	X										X		
	FI	X											X	
	FR			X								X		
	GB	X										X		
	GR	X										X	X	
	HU							X	X				X	
	IE	X										X		
	IS												X	
	IT	X										X		
	LT	X										X	X	
	LU	X	X										X	
	LV	X											X	
	MT												X	
	NL		X		X								X	
	NO	X											X	
	PL		X								X			X
	PT	X										X		
	RO		X										X	
	SE	X											X	
	SI	X										X	X	
	SK	X										X	X	X
AL	X										X	X		
HR	X											X		
MK	X										X	X		
TR	X										X	X		

OVEN		10 x 1/1 GN - 600x400 12 x 1/1 GN - 600x400														
NOMINALE KRACHT (kW)	20.5	20.5	20.5	20.5	20.5	20.5	20.5	20.5	20.5	20.5	20.5	20.5	20.5	20.5	20.5	
CATEGORIE	2H	2E	2E+	2K	2L	2LL	2H	2S	2LW	2LS	3+	3B/P	3B/P	3B/P		
GAS TYPE	G20	G20	G20 G25	G25.3	G25	G25	G20	G25.1	G2.350	G27	G30 G31	G30 G31	G30 G31	G30 G31		
PA (MBAR) AANSLUITDRUCK	20	20	20 25	25.0	20	20	25	25	13	20	28...30 37	30	37	50		
UM (SPROEIER MAX.)	280	280	240	280.0	280	280	280	280		280	140	140	130	140		
GASAANSLUITDRUK	10.0	10.0	--	14.5	14.5	14.5	10.0	16.0		16.0	--	--	--	28		
CONSUMPTIE (M³/H)	2.169	2.169	2.169	2.467	2.523	1.292	2.169	2.519		2.646						
CONSUMPTIE (Kg/H)											1.617	1.617	1.617	1.617		
CONSUMPTIE	AT	X													X	
	BE			X							X					
	BG	X										X				
	CH	X									X				X	
	CY	X									X	X				
	CZ	X									X					
	DE		X				X									X
	DK	X											X			
	EE	X											X			
	ES	X										X				
	FI	X											X			
	FR			X								X				
	GB	X										X				
	GR	X										X	X			
	HU							X	X				X			
	IE	X										X				
	IS												X			
	IT	X										X				
	LT	X										X	X			
	LU	X	X										X			
	LV	X											X			
	MT												X			
	NL		X		X								X			
	NO	X											X			
	PL		X								X			X		
	PT	X										X				
	RO		X										X			
	SE	X											X			
	SI	X										X	X			
	SK	X										X	X		X	
AL	X										X	X				
HR	X											X				
MK	X										X	X				
TR	X										X	X				

1.9 1.9 GAS AANSLUITING

Sluit de oven aan op aansluiting (A) met behulp van metalen buizen, hetzij in gegalvaniseerd staal of koper, op zichtbare plaatsen.

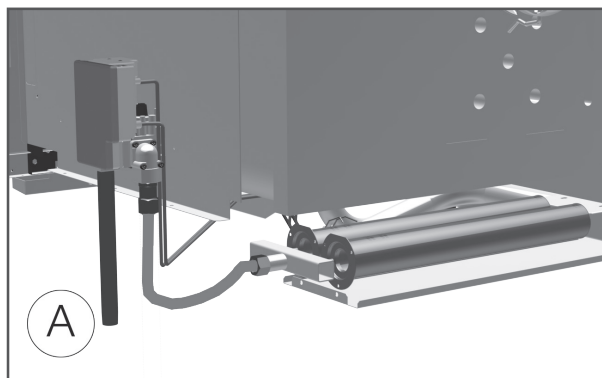
Gebruik nooit slangen om de oven op de gasleiding aan te sluiten.

Het apparaat moet worden aangesloten op een aan-uit-hoofdventiel dat eenvoudig te bedienen is.

Gebruik een 3-delig metalen verbindingstuk voor verbinding tussen de buis en de oven om verwijdering te vergemakkelijken.

Gebruik de originele materialen voor de afdichting van de schroefdraad. Deze zijn speciaal geschikt ook voor LPG.

Het apparaat moet aangesloten worden met het geschikt type gas (hoofdstuk 1.4). Het type gas is aangegeven op de plaat met de aanduiding "rating".



2.0 CONTROLE OP GASLEK

Controleer de oven nadat deze is geïnstalleerd. Dit kan gedaan worden door fittingen met zeepwater te poetsen. Bubbels bewijzen dat er een gaslek is.

2.1 OMZETTING NAAR VERSCHILLENDE GASOORTEN

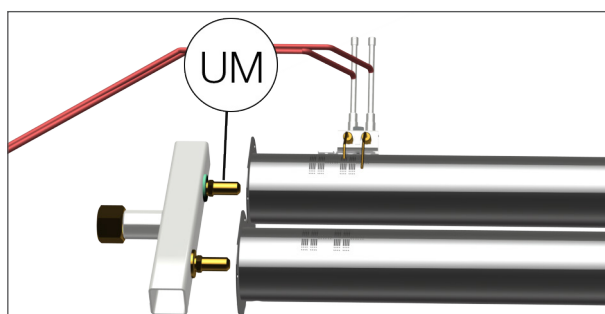
De tabellen 18A, B en C beduiden:

- welk type gas kan worden gebruikt voor de oven.
- de toebehoren die worden gebruikt.
- het nummer dat in tabel TAB1 is aangegeven, is ook gestempeld op de sproeikoppen.

Volg de instructies in tabel 18A om de oven naar het lokale gas-type om te zetten en voer de onderstaande stappen uit:

- Vervang het mondstuk van de hoofdbrander (UM).
- Bevestig het zelfklevende lipje dat aangeeft welk nieuw type gas wordt gebruikt.
- De sproeiërs en kleeflippen worden bij de oven geleverd.

Controleer de werking van de oven na aanpassing.



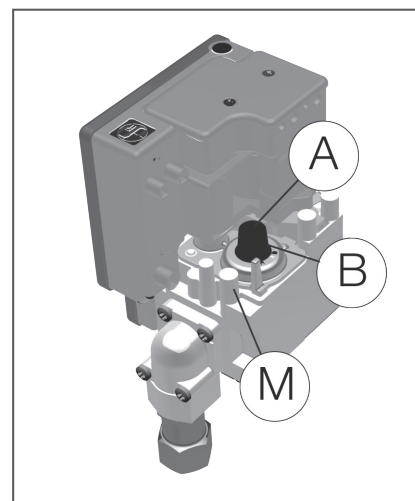
2.1A CONTROLE VAN DE VOORZIENING VAN DE GASDRUK

Gebruik voor het meten van de gastoevoerdruk een manometer met een minimale definitie van 0,1 mbar.

Verwijder de schroef van het druk testpunt M en sluit de manometer aan op het testpunt.

Voer de meting uit met de ovenverwarming.

BELANGRIJK! ALS DE TOEVOER VAN DE GASDRUK NIET BINNEN DE NORMEN VAN TABEL 18C VALT (MIN. - MAX) , SCHAKEL DE OVEN DAN METEEN UIT EN NEEM CONTACT OP MET UW GASMAATSCHAPPIJ.



2.2 AANSLUITEN OP HET GASNET (GASVERWARMDE OVENS)

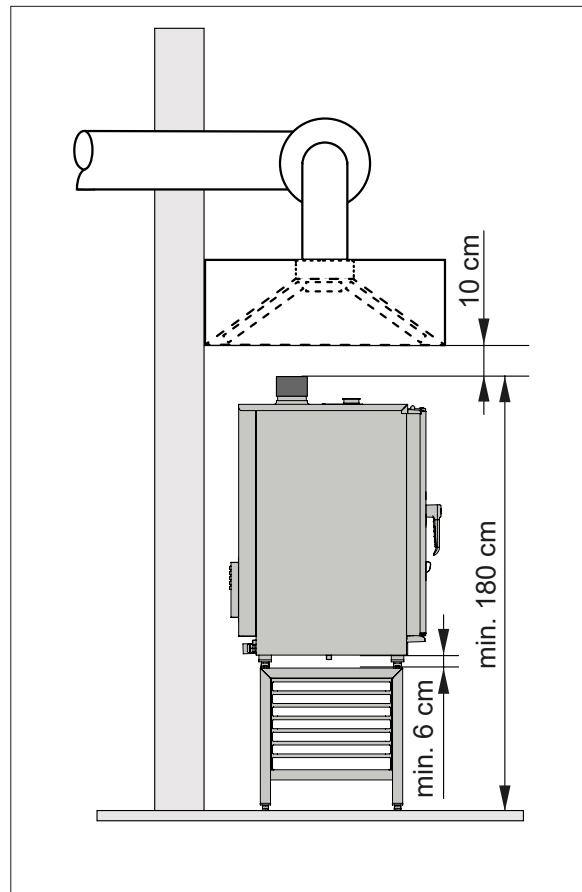
De gasapparatuur is voorzien van een rookkanaal om de verbrandingsresten te verwijderen.

Dit rookkanaal moet worden aangesloten zoals wordt geïllustreerd in de afbeeldingen 2.2A - 2.2B en vastgesteld in de installatieregels.

2.2B Geforceerde afvoer van rookgassen type A1:

Het apparaat is van het type A1. Het moet worden geïnstalleerd in voldoende geventileerde ruimten om de mogelijkheid te voorkomen van onaanvaardbare concentraties van stoffen die schadelijk zijn voor de gezondheid in de ruimte waarin het apparaat is geïnstalleerd, gemaakt in overeenstemming met de geldende nationale en lokale wetten en voorschriften. Op indicatieve wijze is de stroomsnelheid van een luchtaanzuiger die direct is verbonden met de externe omgeving 35 m³/h voor elke geïnstalleerde kW gasstroom.

Het apparaat moet worden geïnstalleerd in voldoende geventileerde ruimten om de luchtstroom te waarborgen die nodig is voor verbranding, in overeenstemming met de geldende nationale en lokale wetten en voorschriften.



2.3 WATER FUNCTIES

Het toegevoerde water dient geschikt te zijn voor menselijke consumptie en dient aan de volgende eigenschappen te voldoen:

Temperatuur: tussen 15 en 20°C

Totale hardheid: tussen 4 en 12 Franse graden (°F).

Druk: tussen 150 en 250 KPa (1,5 – 2,5 bar).

N.B. Hogere drukwaarden leiden alleen tot meer waterverbruik en kunnen de correcte werking van sommige onderdelen beïnvloeden.

Maximale concentratie van chloride-ionen (Cl⁻): lager dan 150 mg/liter.

Chloorconcentratie (Cl₂): lager dan 0,2 mg/liter.

pH: hoger dan 7.

Elektrische geleidbaarheid: tussen 50 en 2000 μS/cm.

Waarschuwing: Het gebruik van waterbehandelingssystemen die voor andere waarden zorgen dan de hierboven genoemde, is niet toegestaan en doet de gehele garantie vervallen.

Eveneens niet toegestaan is het gebruik van middelen om de vorming van aanslag in de buizen te voorkomen (zoals bijvoorbeeld polyfosfaat), aangezien dit de correcte werking van de apparatuur kan beïnvloeden.

2.4 TABEL VAN DE TECHNISCHE GEGEVENS WATERAANSLUITING

	4-5 trays	6-7 trays	10-12 trays
Debietregelaar voor combistand	Ø 0.4 mm	Ø 0.4 mm	Ø 0.5 mm
Debietregelaar voor stoom	Ø 0.55 mm	Ø 0.6 mm	Ø 0.6 mm

2.5 HYDRAULISCHE VERBINDING - WATERINLAAT

De ovens hebben 2 waterinlaatkoppeling aan de rechterkant. Het is noodzakelijk om beide te verbinden.

Plaats tussen het apparaat en de waterleiding altijd een afsluitventiel die eenvoudig te bedienen is; bovendien wordt aangeraden om een cartridgefilter op de watertoevoerbuis te installeren.

De wateraansluiting dient altijd met koud water te worden uitgevoerd.

Gebruik altijd nieuwe waterdichtingen. Eventuele oude dichtingen mogen niet opnieuw gebruikt worden. De sanitaire aansluiting moet altijd met koud water en onbuigzame buizen gebeuren.

Gebruik nooit een waterslang om de oven aan te sluiten op het waternet.



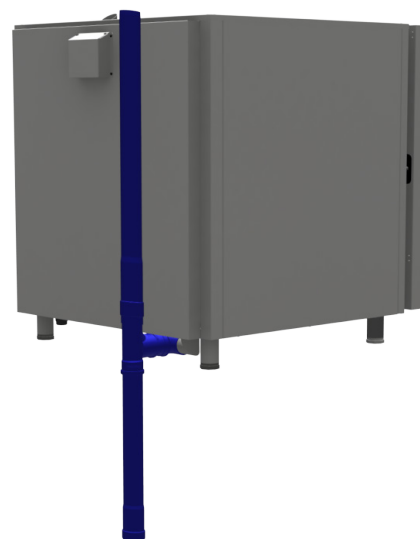
2.6 WATERAANSLUITING - WATERAFVOER

De ovens zijn uitgerust met een waterafvoer die zich aan de achterzijde van het apparaat bevindt; de wateraansluiting dient rechtstreeks op het einde van de roestvrijstalen afvoerbuis te worden aangesloten.

De afvoer mag geen sifon hebben en dient te zijn gemaakt met onbuigbare buizen die bestand zijn tegen een temperatuur van 110°C.

Het is van groot belang dat de diameter van de afvoerbuis niet kleiner wordt gemaakt en dat de buis onder atmosferische druk staat en is uitgerust met de juiste soort trechtersvormige luchtinlaat.

Indien de afvoerbuis om een of andere reden is verstopt, kan er stoom uit de ovenruimte ontsnappen en kunnen er onaangename geuren in de ovenruimte ontstaan.



3.0 AUTOMATISCHE VEILIGHEIDSCONTROLES

De ovens zijn uitgerust met een serie automatische veiligheidscontroles voor het watersysteem en het elektrische systeem.

3.0A Zekering van 2A: deze is in het hulpcircuit geïnstalleerd als bescherming tegen kortsluiting in het elektrische systeem en is gelegen bij de bevestigingsbeugel van de schakelaars.

3.0E Veiligheidsthermostaat ovenruimte: schakelt de verwarmingselementen in de elektrische modellen uit of sluit de gasklep in de desbetreffende apparatuur.

3.0F Deurschakelaar onderbreekt de werking van de oven wanneer de ovendeur wordt geopend.

3.0L Gasveiligheidsklep: de klep is uitgerust met een elektronisch besturingsapparaat dat de gasstroom binnen 10 seconden onderbreekt als de branders niet aanslaan. De verlichting van de branders kan worden herhaald nadat het elektronische apparaat handmatig is gereset met de drukknop (Z) op het bedieningspaneel.

3.1 VERVANGING VAN RESERVEONDERDELEN

De vervanging van beschadigde onderdelen moet uitgevoerd worden door gekwalificeerd personeel.

Om de te vervangen onderdelen bij de fabrikant aan te vragen moet het model en serienummer van de oven opgegeven worden. **U kan deze informatie terugvinden op het typeplaatje dat op de oven is aangebracht.** Vooraleer onderdelen te vervangen, dient u zich er om veiligheidsredenen van te verzekeren dat de elektriciteit is uitgeschakeld en dat het water en eventueel het aan/uit-ventiel van het gas gesloten zijn.

3.2 CONTROLE VAN DE FUNCTIES

Nadat de oven geïnstalleerd is, is het nodig om een lektest van het waternetwerk uit te voeren.

De installateur moet met de daartoe geschikte meetinstrumenten nagaan dat het geluidsniveau de 70 dB niet overschrijdt.



Het label ISO 3864-1 hiernaast moet worden aangehecht op een zichtbare plaats, op 1,6 m hoogte van de grond. Voor de vloermodellen bevindt het label zich al op de geschikte plaats. Voor de tafelmodellen wordt het label geleverd samen met de documentatie, en dient het na de installatie bevestigd te worden op een zichtbare plaats op het toestel op 1,6 m boven de grond.

De installateur moet de correcte werking van de oven nagaan, de nodige instructies geven aan de klant, en deze handleiding afgeven die de gebruiker nauwgezet dient op te volgen.

BELANGRIJK: Voordat de gebruiker de oven inschakelt en deze gebruikt voor een kook- of reinigingscyclus, is het noodzakelijk dat de installateur of een gekwalificeerde techniker nagaat of alle verbindingen zijn uitgevoerd volgens de instructies in de handleiding.

De techniker of de installateur moet de controle daarom als volgt uitvoeren:

- De oven moet geplaatst en bevestigd worden (horizontale positie) op een steun of op een schap. De stabiliteit moet gegarandeerd zijn.
- De bekabeling moet worden aangesloten volgens de instructies en de stroomkabel mag zich niet in een positie bevinden die lager is dan aangegeven in de handleiding.
- De druk en hardheid van het water dat naar de oven stroomt, moet overeenstemmen met de waarden die worden aangegeven in deze handleiding.
- De afvoerleiding van de oven moet correct aangesloten worden en het gebruikte materiaal moet bestand zijn tegen de hoge werkingstemperaturen.

Nadat alles werd gecontroleerd, open dan het aan/uit-ventiel voor het water, eventueel het aan/uit-ventiel voor het gas en de beveiligingsschakelaar, die allemaal stroomopwaarts zijn geïnstalleerd. De installateur moet de juiste werking van de oven controleren en de nodige instructies geven aan de gebruiker voor een correct gebruik van de oven. De installateur moet ook nagaan dat de gebruiker een exemplaar van deze handleiding ontvangen heeft.



Whirlpool S.p.A.

Via Carlo Pisacane, 1

20016 Pero (MI) – Italy

Tel: +39 02 837151