



### DESCRIPTION



Capacity: 5 x 60x40 - 1/1 GN



Trays insertion: Cross wise



Dimensions: 725 x 713 x H 730 mm



Control panel: Programmable



Indicative quantity of meals: --



Cooking chamber heating: Electric

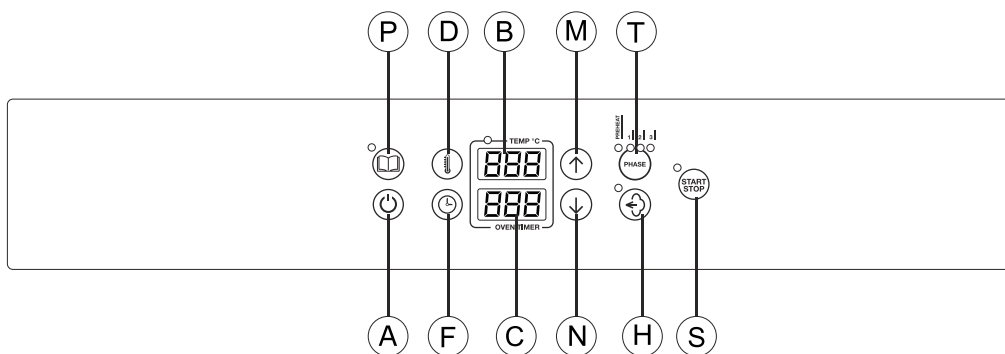


Steam generation: direct system

### COOKING MODES AND FUNCTIONING

	<b>Convection mode</b>	Temperature range between 50 °C and 270 °C
	<b>Convection with steam</b>	Adjustable steam quantity
	<b>Autoreverse</b>	Automatic reversal of fan rotation
	<b>Automatic programs</b>	99 Automatic programs

### CONTROL PANEL COMPONENT DESCRIPTION



<b>A</b>	ON/OFF button	<b>M</b>	Increase value button
<b>B</b>	Temperature display	<b>N</b>	Reduce value button
<b>C</b>	Time display	<b>P</b>	Automatic programs
<b>D</b>	Cooking chamber temperature selection	<b>S</b>	Start/stop button
<b>F</b>	Time selection	<b>T</b>	Program's phases
<b>H</b>	Humidification selection		

**MANUFACTURING FEATURES**

- Heating system located on the back side of the cooking chamber;
- Waterproof cooking chamber in stainless steel AISI 304;
- External covering panels made of satin stainless steel AISI 430;
- Base chassis made of stainless steel AISI 430;
- Heating elements made of stainless steel Incoloy 800;
- Thermal insulation of the cooking chamber in ceramics fibre;
- Cooking chamber fans made of stainless steel;

**DIMENSIONS**

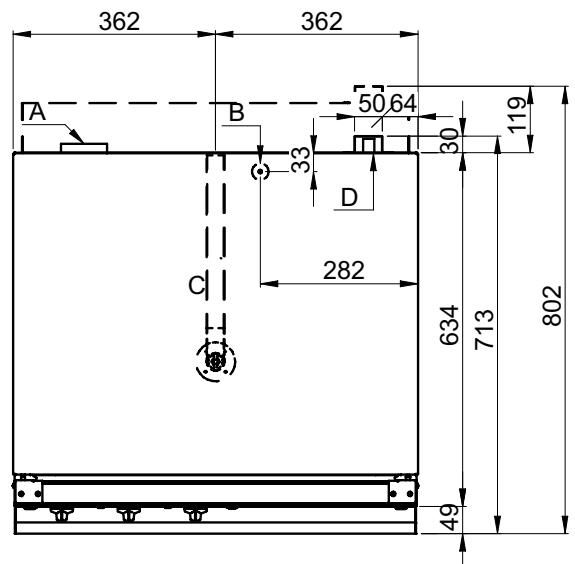
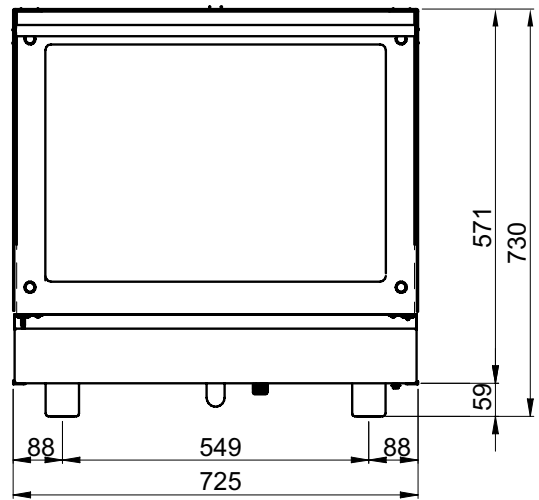
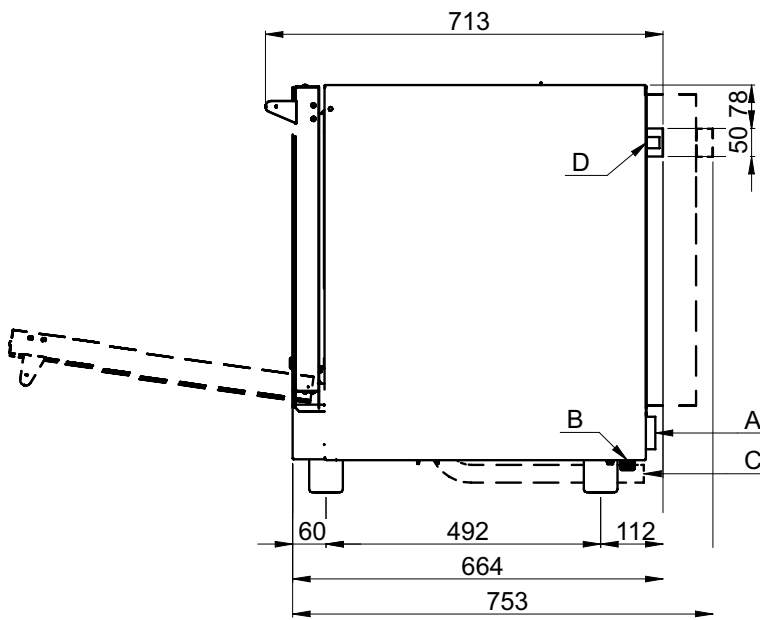
	<b>OVEN</b>	<b>PACKAGE</b>
<b>Width</b>	725 mm	760 mm
<b>Depth (with door handle)</b>	713 mm	840 mm
<b>Height</b>	730 mm	860 mm
<b>Weight/Volume</b>		56 kg / 0.55 m <sup>3</sup>

**POWER SUPPLY**

<b>Model</b>	<b>AFO EM5SO</b>
<b>Power loading</b>	5.8 kW
<b>Chamber power</b>	5.5 kW
<b>Grill power</b>	--
<b>Power of the motors</b>	n° 1 x 240 W
<b>Max. power loading</b>	5.8 kW
<b>Voltage</b>	400 V 3N ~ 50/60 Hz
<b>Absorbed current</b>	15.4 A
<b>Feed cable section</b>	5 x 2.5 mm <sup>2</sup>
<b>Capacity</b>	5 x 60x40 - 1/1 GN
<b>Pitch between trays</b>	70 mm

**WATER SUPPLY**

<b>Water supply coupling</b>	Ø ¾" gas
<b>Water pressure</b>	1.5 - 2.5 bar
<b>Water hardness</b>	4 - 12 °f = 40 - 120 ppm
<b>Water conductivity</b>	50 ÷ 2000 µS/cm
<b>Chlorine concentr. Cl2</b>	< 0.2 mg/litre
<b>Chloride concentration</b>	<150 mg/litre
<b>Water drain coupling</b>	--



- A Electrical cables connection
- B Water inlet Ø 3/4" gas
- C Cooking chamber drain
- D Cooking chamber release valve